

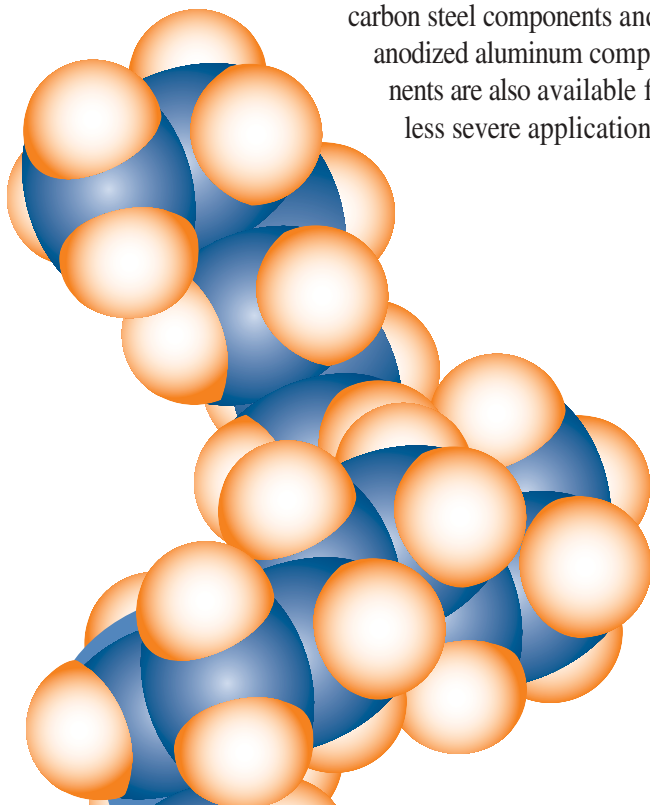


TRACKSTAR®
GUIDE RAIL
SYSTEMS

The TRACKSTAR® Advantage

- UHMW Guide Rails are available in both C-3 channel and tapered rail designs.
- C-3 channel construction requires fewer support brackets and allows for replacement of UHMW inserts as required.
- Glass-reinforced nylon support brackets and stainless steel components for low-cost corrosion resistance.
- Unique “compression-lock” system for quick adjustment without shaft damage.
- Ultimate flexibility with Trackstar Cross Block for vertical and horizontal adjustment without tools.
- 100% Made in U.S.A.
- All components in stock for immediate shipment.

Trackstar Guide Rail Systems are based on an innovative modular design that enables users to meet changing guidance requirements with maximum flexibility. Our unique “compression-lock” system allows for quick and easy adjustment without tools. Choose from a variety of C-3 and tapered rail designs to best suit your application. C-3 channel offers easy replacement of UHMW guides and improved rigidity over industry standard tapered rail. Trackstar Mounting Brackets and Clamps are molded from tough, glass-reinforced nylon with an attractive matte finish that resists scuffs and stains while offering significant savings over stainless steel. Zinc-plated carbon steel components and anodized aluminum components are also available for less severe applications.



Stainless steel components and composite brackets are perfect for washdown or corrosive environments.



Trackstar allows for easy adjustment of brackets and guide rails to accommodate different product shapes and sizes.



Unique Cross Block design allows for both vertical and horizontal adjustments without any tools.

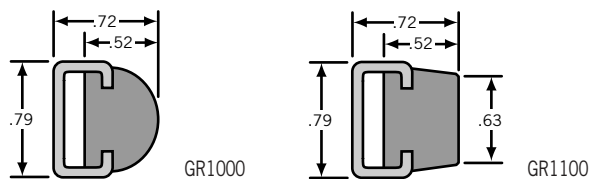
About UHMW-PE

Trackstar Guide Rails are precision-extruded using the highest quality virgin Ultra-High-Molecular-Weight polyethylene (UHMW) to assure minimum friction and maximum abrasion resistance. UHMW is produced by a unique, low-temperature polymerization process, yielding an average molecular weight ten or more times that of conventional high density polyethylene resins (approximately 3 to 6 million by ASTM Test D4020). As the molecular weight of polyethylene increases, significantly high values are obtained for a number of technically important properties including impact strength, abrasion resistance, energy absorption and resistance to cracking.

800-243-3374

C-3 Guide Rails

Fenner Drives' "C" channel design features a unique two-piece construction to facilitate quick and easy replacement of UHMW inserts, while allowing for thermal expansion. Our high strength "C" channel rails are also stiffer by design, reducing the number of support brackets required. C-3 guide



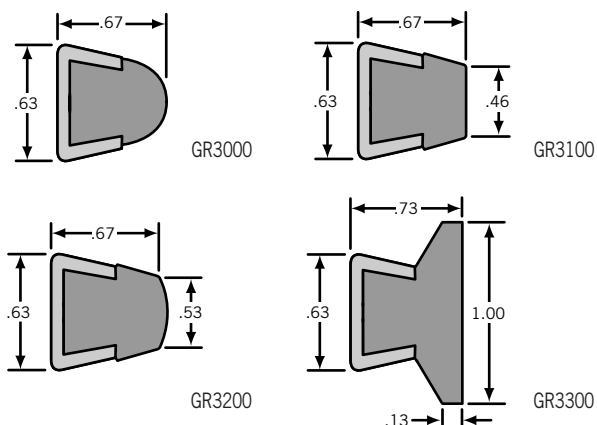
rails are available in crowned and flat profiles in both F.D.A. and U.S.D.A. approved white and an attractive black finish for non-food applications. C-3 guide rails are stocked in #304 stainless steel, anodized aluminum and galvanized steel.

Profile	Color	Efson P/N Stainless Steel Channel	Efson P/N Aluminum Channel	Efson P/N Galvanized Channel
Crowned	Black	GR1000-3S120.00	GR1000-3A120.00	GR1000-3G120.00
Crowned	White	GR1001-3S120.00	GR1001-3A120.00	GR1001-3G120.00
Flat	Black	GR1100-3S120.00	GR1100-3A120.00	GR1100-3G120.00
Flat	White	GR1101-3S120.00	GR1101-3A120.00	GR1101-3G120.00

All Trackstar Guides are supplied in 120" standard lengths.

Tapered Guide Rails

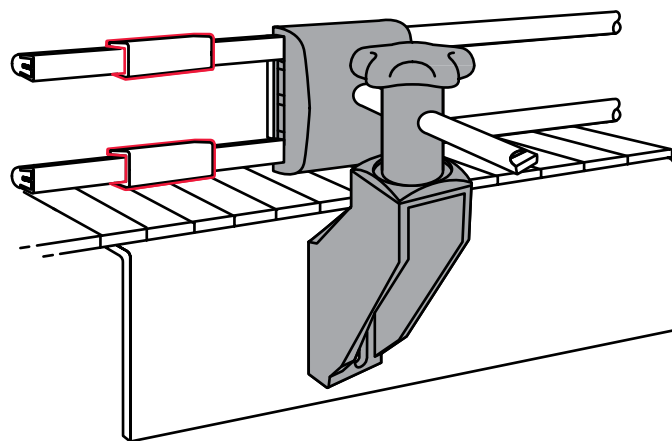
Fenner Drives also offers industry standard tapered guide rails for easy retrofit on existing systems. Our tapered design is available in #304 stainless steel or galvanized steel with UHMW inserts permanently locked in place. Tapered rails are available in four different industry standard profiles.



Profile	Color	Efson P/N Stainless Steel Channel	Efson P/N Galvanized Channel
Crowned	White	GR3000-S120.00	GR3000-G120.00
Flat	White	GR3100-S120.00	GR3100-G120.00
Modified Flat	White	GR3200-S120.00	GR3200-G120.00
Wide Flat	White	GR3300-S120.00	GR3300-G120.00

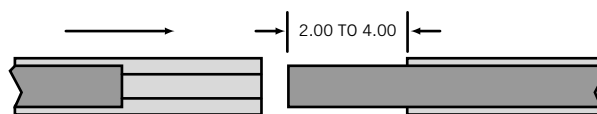
Rail Splices

Joining rail ends together is easy with Trackstar Rail Splices. Available for both "C" (MC0003) and tapered rails (MC0007) in corrosion-resistant stainless steel. These tight fitting splices can be easily tapped on with a hammer—no screws or bolts are needed.



Telescoping Splice

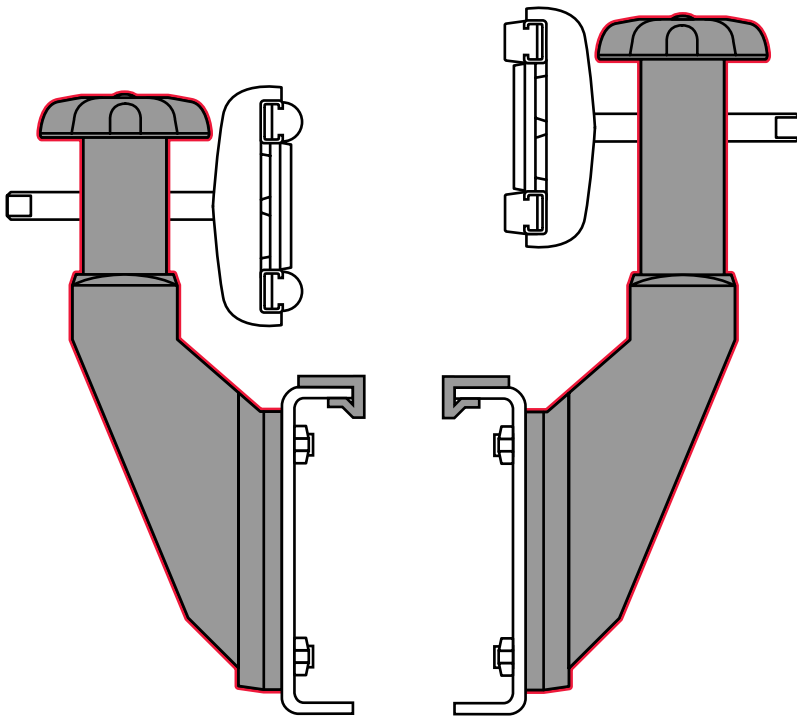
Trackstar "C" channels' unique two-piece construction makes connecting guide rail sections quick and easy. By simply "telescoping" the plastic rail several inches into the mating metal channel, a streamline joint is achieved with no additional parts or cost.



Modular TRACKSTAR Components

Mounting Brackets

Trackstar's exclusive Mounting Bracket "compression-lock" system provides instant adjustability and secure locking without tools. This eliminates the possibility of scratching or marring expensive stainless steel shafts. Available in both standard-height and low-profile designs, the modular bracket's integral swivel design allows the use of one bracket for either straight or curved tracks. The bracket's tough, molded glass-reinforced construction resists corrosion and easily withstands the rigors of repeated high-pressure, hot-water washdowns.

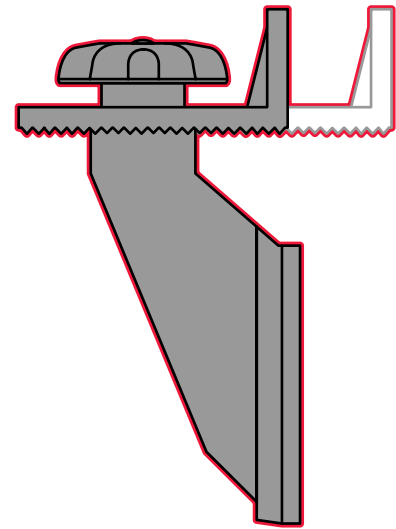


MB1001

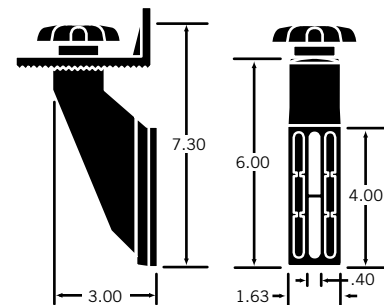
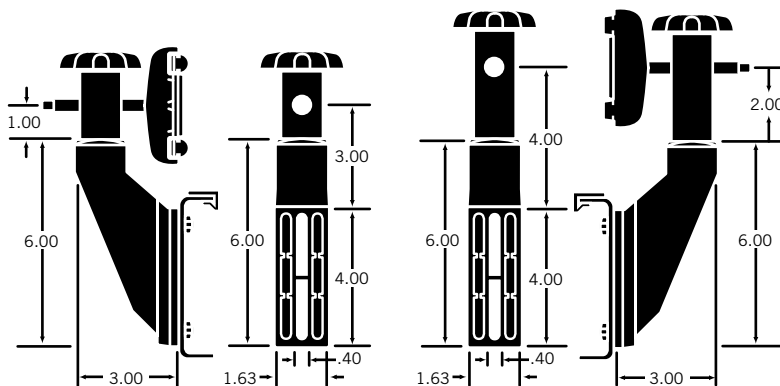
MB1002

Angle Bracket

The MB1004 Trackstar Angle Bracket is extremely versatile. Closely spaced serrated teeth allow for incremental horizontal adjustments. Typical applications include mounting wide guide rails, photo eyes, limit switches, and a host of other control devices. Glass-reinforced nylon construction assures maximum strength and impact resistance. Vertical height adjustment is provided by slotted mounting holes in the base.

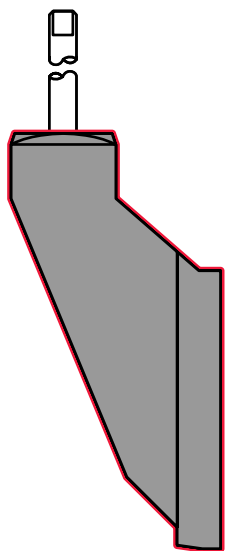


MB1004

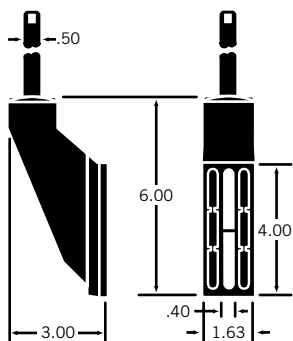


Vertical Bracket

The MB1003 Trackstar Vertical Bracket makes a quick job of configuring brackets to provide both variable height and width. Simply select one of the standard support rods shown on page 5 and bolt in position using the supplied hardware. Then, use a Trackstar BC1000 Cross Block (shown at right) to create a convenient and easily adjust-able right angle connection. Virtually any component mounting problem can be solved by using these economical Trackstar elements. (Shafts not included with brackets.)



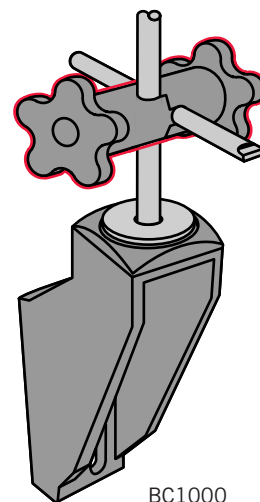
MB1003



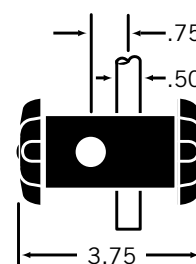
Cross Block

The Trackstar Cross Block features the same exclusive “compression-lock” system used on Trackstar Brackets. This system affords users a quick and easy adjustment method without any chance of shaft marring, while at the same time, providing an extremely rigid connection. Most important, the rugged, glass-reinforced nylon construction is corrosion-resistant and all fasteners are made of stainless steel.

Used in combination with standard Trackstar support Rods, or together with special customer fabricated rods, Trackstar Cross Blocks solve a variety of mounting problems.

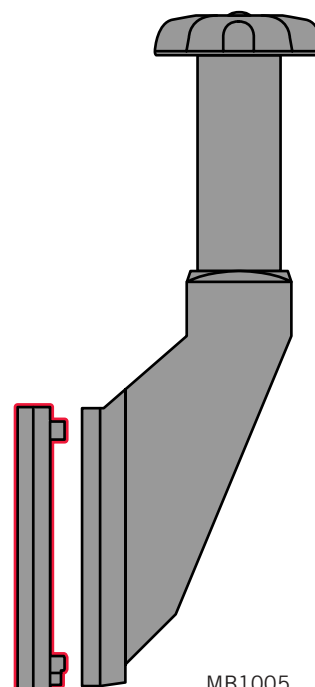


BC1000

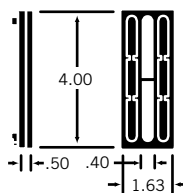


Bracket Spacer

For special applications, Bracket Spacers (MB1005) are available to increase the spacing between Trackstar Brackets and the mounting surfaces. Our unique interlocking design simplifies installation, even when using multiple spacers.

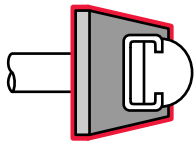


MB1005

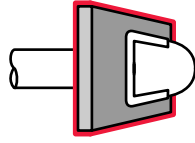


Rail Clamps

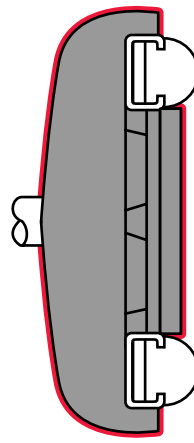
Trackstar Rail Clamps simplify guide rail installation and allow for easy adjustment. Single and double rails are available in both "C" channel and tapered channel designs. Specify part number BC0002 for 1/2" stainless steel rods. Single rail clamps utilize stainless steel backing plates for added rigidity. All Trackstar Clamps are easily mounted with support rods shown below.



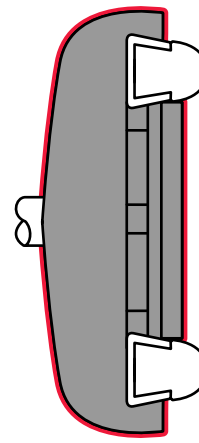
MC0001-Clamp
MC0002-Backing Plate



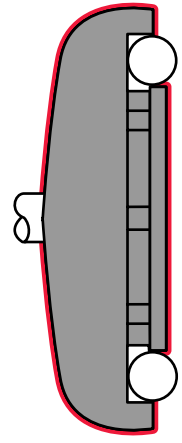
MC0006-Clamp
MC0002-Backing Plate



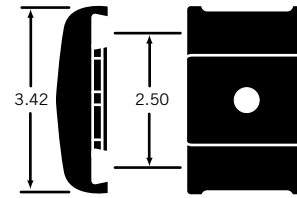
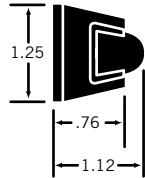
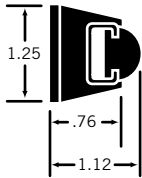
BC0001



BC0006

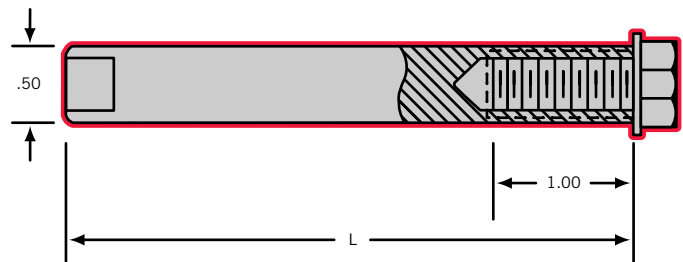


BC0002



Rods

Trackstar Rods are available in both zinc-plated carbon steel or corrosion-resistant stainless steel in a wide variety of standard lengths. All support rods are 0.50" diameter and feature milled double flats for secure locking. A hex head bolt and washer are supplied in the same material type. Special length rods are also available.

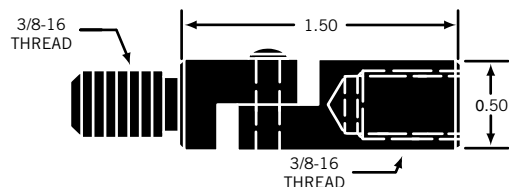
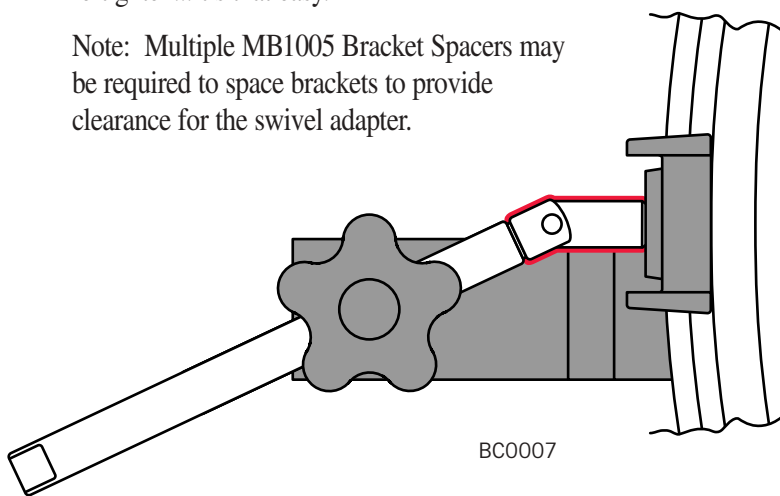
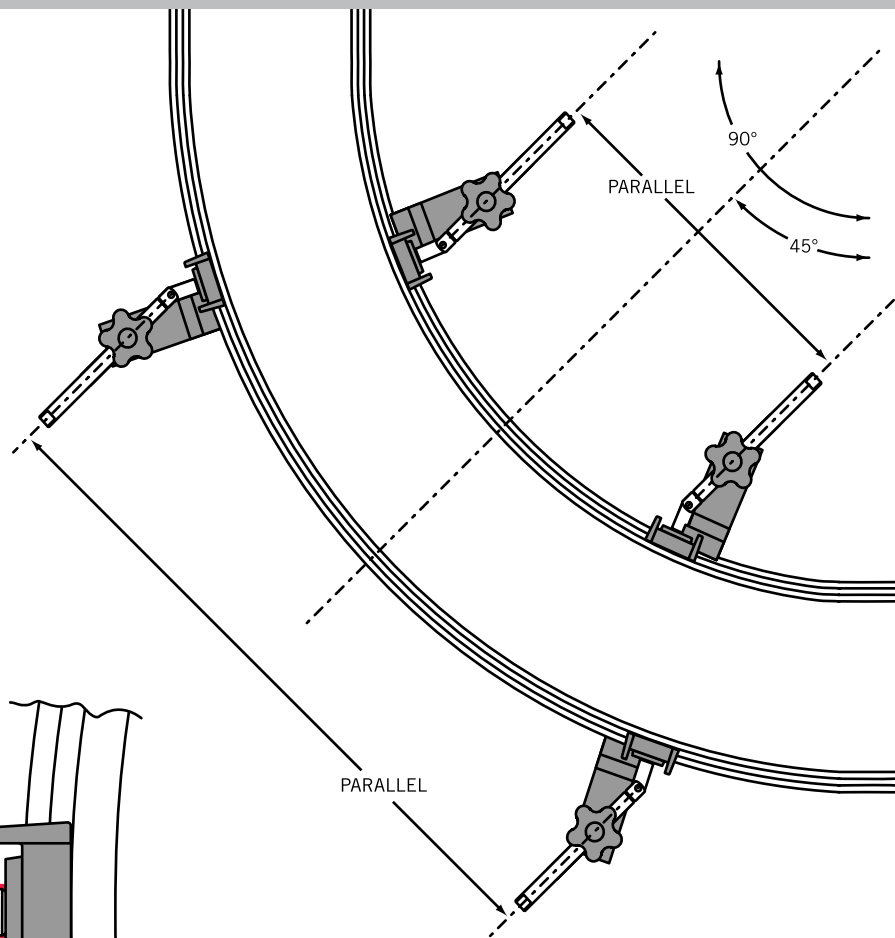


Material	Thread	4.00" Long	6.00" Long	8.00" Long	10.00" Long
Zinc-Plated	3/8"-16	HR1004	HR1006	HR1008	HR1010
Stainless Steel	3/8"-16	HR1504	HR1506	HR1508	HR1510

Swivel Corner Adapters

Our new Swivel Corner Adapter (BC0007) makes adjusting corner guides as easy as straight sections. The adapters simply install between any standard Trackstar Rod and Rail Clamp. The swivel, made from stainless steel, articulates to make the connection to the guide rails. To adjust the corner, just loosen the bracket knob, move the rails to the desired position and re-tighten...it's that easy.

Note: Multiple MB1005 Bracket Spacers may be required to space brackets to provide clearance for the swivel adapter.



TRACKSTAR® QUICK CHANGE

If you are doing multiple line changes on a daily basis, Fenner Drives new patented Trackstar Quick Change System is for you. Quick Change Systems are already saving money for major bottlers and fillers who have cut changeover times in half. Guaranteed repeatability, no tools and no trouble are just a few benefits you will see with Fenner Drives Quick Change Brackets. Call today for our new brochure and application sheet.



FAX 717-665-2649