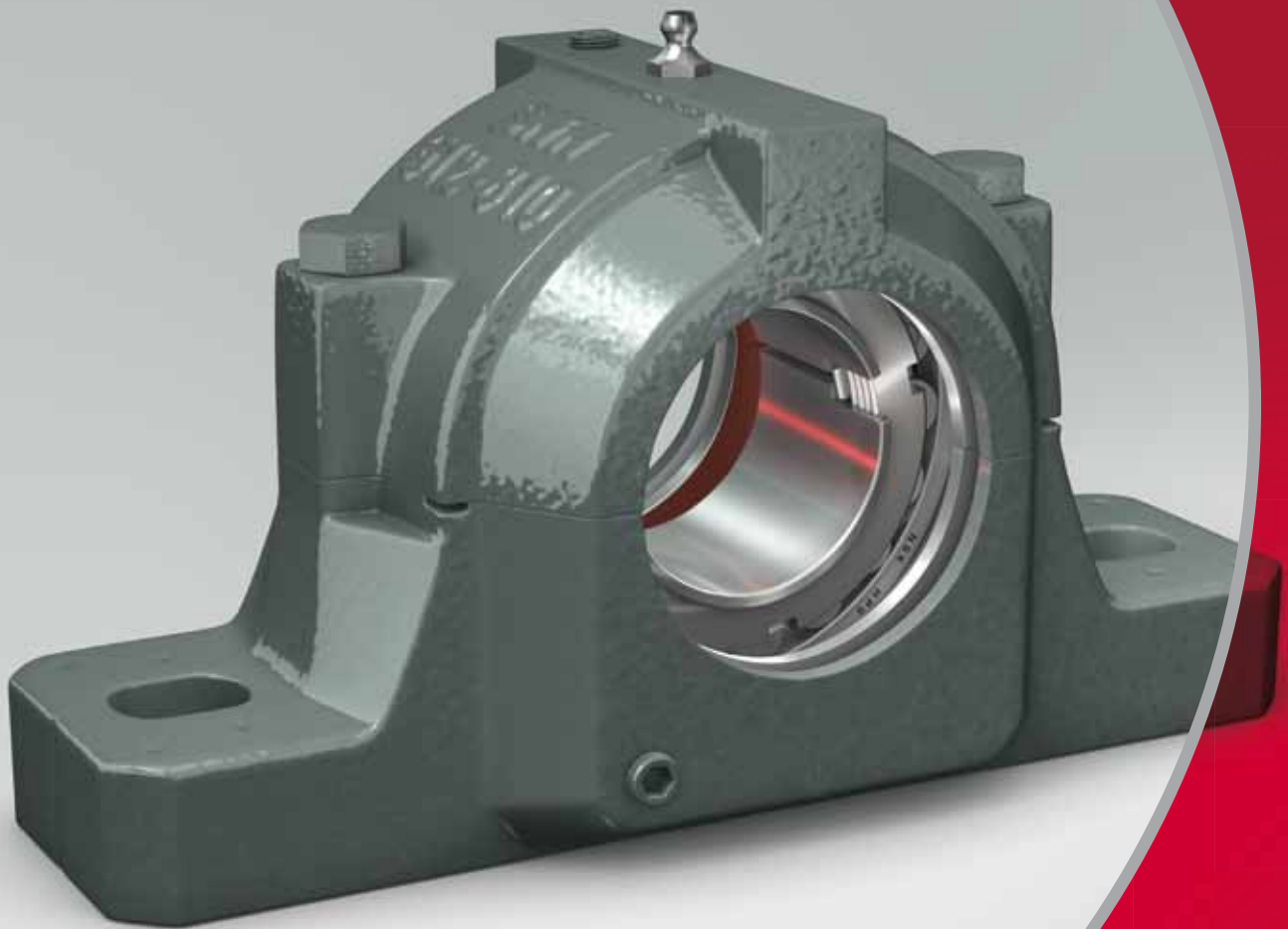


PLUMMER BLOCKS AND ACCESSORIES –  
SNN SERIES AND SD SERIES



---

As one of the world's leading manufacturers of rolling bearings, linear technology components and steering systems, we can be found on almost every continent – with production facilities, sales offices and technology centres – because our customers appreciate short decision-making channels, prompt deliveries and local service.



### The NSK company

NSK commenced operations as the first Japanese manufacturer of rolling bearings back in 1916. Ever since, we have been continuously expanding and improving not only our product portfolio but also our range of services for various industrial sectors. In this context, we develop technologies in the fields of rolling bearings, linear systems, components for the automotive industry and mechatronic systems. Our research and production facilities in Europe, Americas and Asia are linked together in a global technology

network. Here we concentrate not only on the development of new technologies, but also on the continuous optimisation of quality – at every process stage.

Among other things, our research activities include product design, simulation applications using a variety of analytical systems and the development of different steels and lubricants for rolling bearings.

## Partnership based on trust – and trust based on quality

Total Quality by NSK: The synergies of our global network of NSK Technology Centres. Just one example of how we meet our requirements for high quality.

NSK is one of the leading companies with a long tradition in patent applications for machine parts. In our worldwide research centres, we not only concentrate on the development of new technologies, but also on the continual

improvement of quality based on the integrated technology platform of tribology, material technology, analysis and mechatronics.

**More about NSK at [www.nskeurope.com](http://www.nskeurope.com) or call us on +44 (0)1636 605123**



# Content

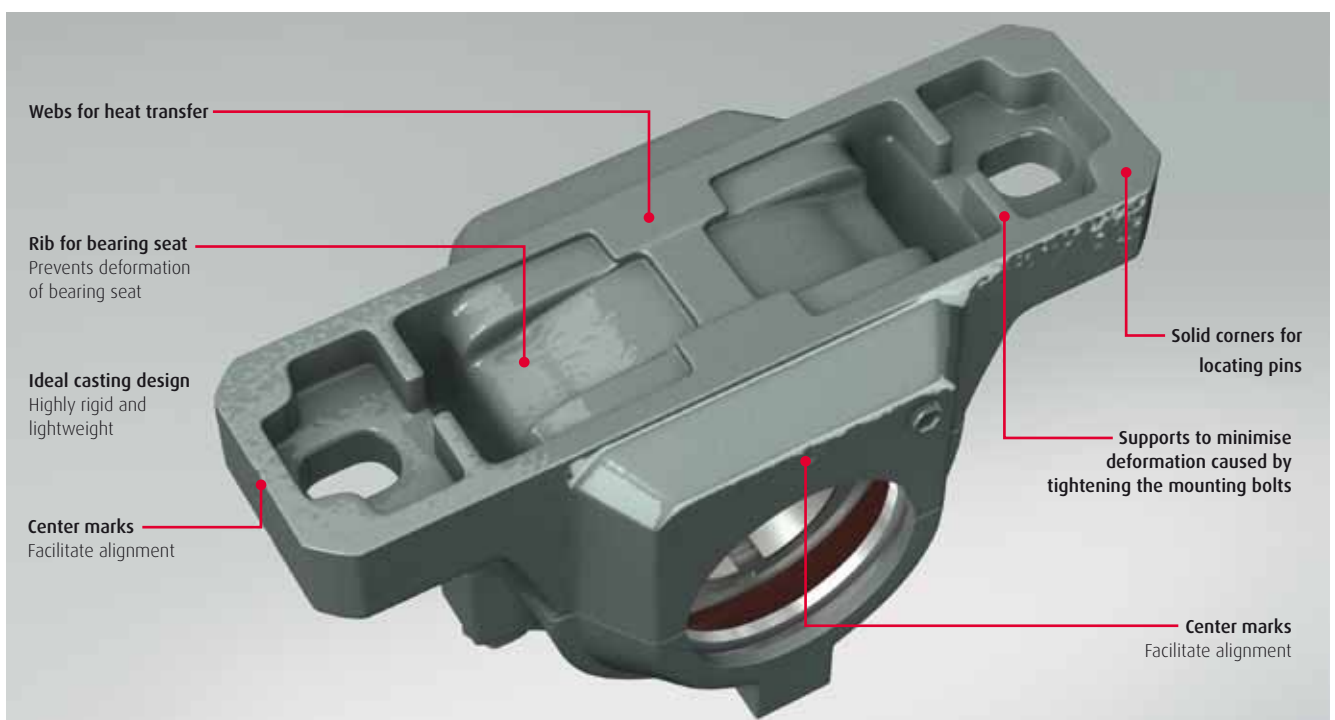
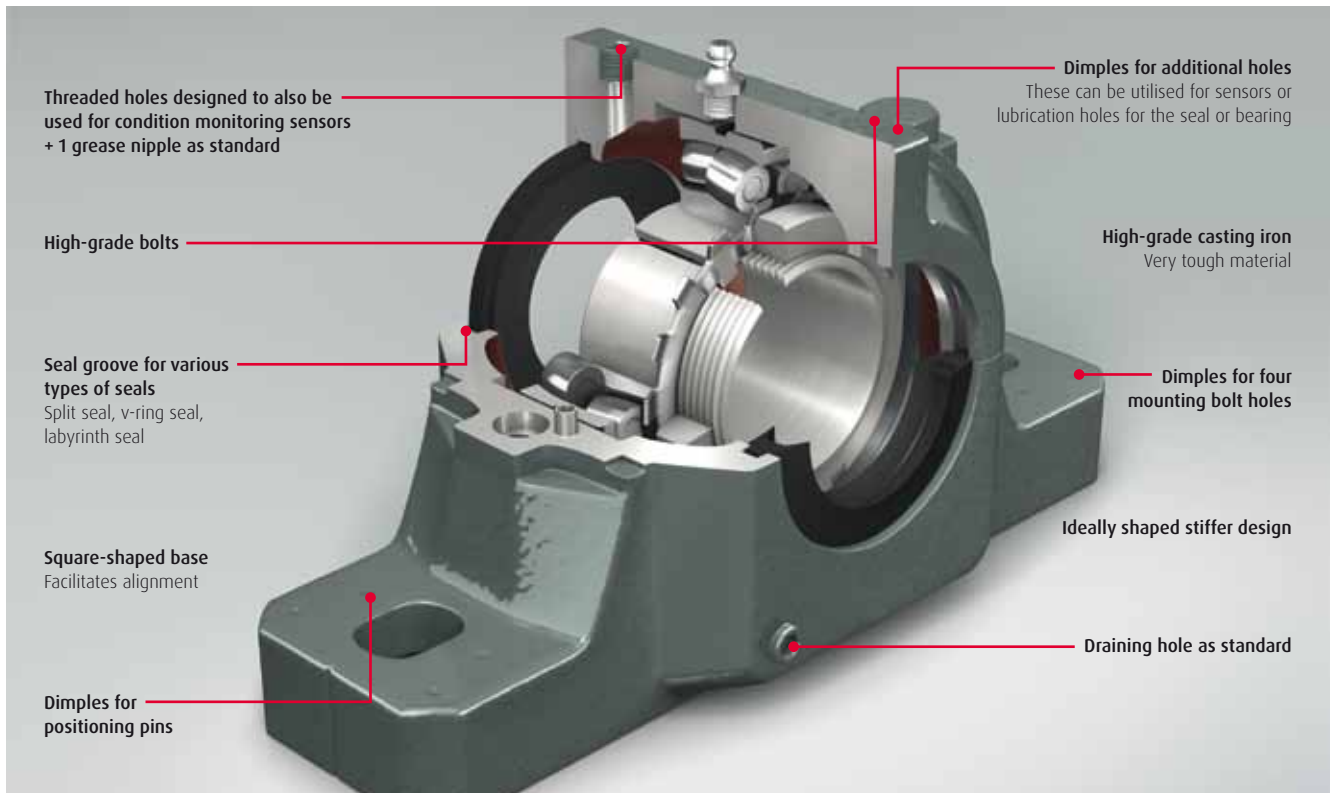




## Content

|  |           |
|--|-----------|
| <b>SNN Series Plummer Blocks – Design</b> .....                                | <b>6</b>  |
| <b>Housing Features – Designation</b> .....                                    | <b>8</b>  |
| <b>Breaking Loads for SNN Housings</b> .....                                   | <b>9</b>  |
| <b>Cap &amp; Fixing Bolts Sizes – Recommended Tightening Torques</b> .....     | <b>10</b> |
| <b>SNN Standard Sealing Arrangements</b> .....                                 | <b>11</b> |
| <b>4 Bolt Fixing Holes / Locating Pin Holes – Recommended Dimensions</b> ..... | <b>12</b> |
| <b>Supply of Seals</b> .....   | <b>13</b> |
| <b>V Seals Securing Rings – Recommended Dimensions</b> .....                   | <b>14</b> |
| <b>Relationship between Circumferential and Rotational Speed</b> .....         | <b>15</b> |
| <b>Dimensions</b> .....  | <b>16</b> |
| <b>Seals Table</b> .....   | <b>18</b> |
| <b>How to order SNN complete Plummer Blocks from NSK</b> .....                 | <b>19</b> |
| <b>Maintenance</b> .....   | <b>20</b> |
| <b>Lubrication</b> .....   | <b>21</b> |
| <b>Mounting of Spherical Roller Bearings</b> .....                             | <b>22</b> |
| on Adapter Sleeves .....   | 22        |
| on an Adapter Sleeve using the Axial Drive-Up Method .....                     | 23        |
| Radial Internal Clearance .....  | 24        |
| <b>Mounting of Self-Aligning Ball Bearings on Adapter Sleeves</b> .....        | <b>25</b> |
| <b>Mounting of SNN Plummer Blocks</b> .....                                    | <b>27</b> |
| using “G” Seals .....  | 27        |
| using “C” Seals .....  | 28        |
| using “V” Seals .....  | 29        |
| using “TS-U” Seals .....   | 30        |
| using “TACK” Seals .....   | 31        |
| <b>Plummer Blocks SD 3100 Series</b> .....                                     | <b>32</b> |
| Bolt Size and Breaking Loads .....   | 32        |
| Accessories .....  | 36        |
| Adapter Sleeve .....   | 37        |
| Lock Nuts .....  | 39        |
| Washer .....   | 40        |
| <b>Interchange Lists</b> .....   | <b>41</b> |
| <b>Housing Versatility</b> .....   | <b>50</b> |

# SNN Series Plummer Blocks





High-performance SNN Series plummer blocks are highly rigid and easy to handle. They can be equipped with NSK's tough spherical roller bearings, which have high load capacity, low temperature rise and high-strength cages.

**The SNN range of split plummer blocks is the latest technical evolution from NSK**

Our modular SNN housing range offers different technical options to match the needs of the most demanding applications. The components are easy to fit, remove and maintain. Equipped with NSK high-performance bearings, SNN split housings will also help you to achieve your cost reduction plans.

Whatever your application and whichever sector you work in (cement, mining and quarrying, air treatment, water treatment, conveying equipment, crushing equipment, etc.), you will find that NSK's SNN split housing range and bearings offer the best solution for your specific needs.

**Easy and convenient mounting**

- › Solid corners in the base for locating pins
- › Free surface provided for drain holes
- › Threaded hole for grease nipple
- › Dimples for additional holes
- › Square-shaped base and center marks to facilitate alignment
- › Dimples for four mounting bolt holes

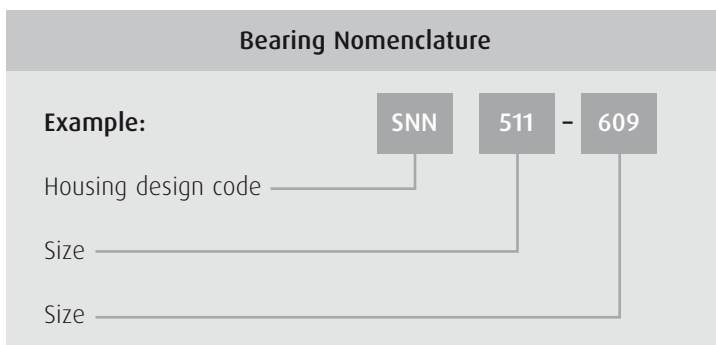
**Performance**

- › High rigidity (minimises deformation of the bearing seat)
- › Webs for heat transfer
- › Both grease and oil lubrication are possible
- › Large oil bath
- › The same plummer block can be used with both double row self-aligning ball bearings 12xxK, 22xxK, 23xxK and spherical roller bearings in the 222xx and 223xx series



# Housing Features – Designation

The plummer block housings detailed in this brochure are manufactured in accordance with ISO/R113 standards.



## Housings Features

- › Colour: RAL 7001, Pantone 444C
- › Housing Material: Cast Iron Grade 200
- › Cap bolts: Mild steel AISI1010 Grade 8.8
- › Metal plugs: Mild steel AISI 1010
- › Tolerance of bearing seating: H7
- › The bearing seating is protected against corrosion, all the non machined internal parts are primed.
- › Each housing is supplied with a straight grease nipple (see dimensions in the lubrication section).
- › Each SNN housing is supplied with 2 lubrication holes on the cap and 1 drain hole on the base.

## Housings Designation

### 500 Series

for light series bearings with tapered bore  
1200K, 2200K, 22200K, 23200K

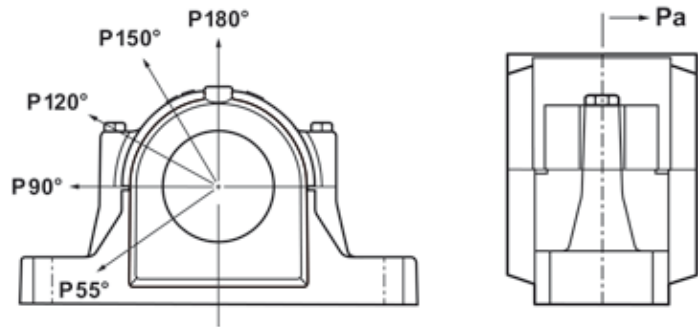
### 600 Series

for medium series bearings with tapered bore  
1300K, 2300K, 21300K, 22300K

The SNN 500 and 600 series comprise a number of housings which, when combined with different seal options and ball or spherical roller bearings, provide an answer for most plummer block applications with shaft diameters ranging from 20 mm to 140 mm.



# Breaking Loads for SNN Housings



| Housing No. |         | Breaking Load (kN) |      |      |       |       |       | Max. Loads of the two cap bolts (kN) |
|-------------|---------|--------------------|------|------|-------|-------|-------|--------------------------------------|
|             |         | Pa                 | P55° | P90° | P120° | P150° | P180° | P180°                                |
| SNN         | 505     | 52                 | 155  | 95   | 70    | 60    | 80    | 25                                   |
| SNN         | 506-605 | 55                 | 170  | 100  | 80    | 65    | 85    | 25                                   |
| SNN         | 507-606 | 60                 | 190  | 115  | 85    | 80    | 95    | 25                                   |
| SNN         | 508-607 | 70                 | 215  | 130  | 95    | 85    | 110   | 25                                   |
| SNN         | 509     | 75                 | 230  | 140  | 100   | 90    | 115   | 25                                   |
| SNN         | 510-608 | 85                 | 265  | 155  | 120   | 110   | 130   | 25                                   |
| SNN         | 511-609 | 90                 | 275  | 170  | 125   | 115   | 140   | 40                                   |
| SNN         | 512-610 | 100                | 300  | 180  | 130   | 120   | 150   | 40                                   |
| SNN         | 513-611 | 110                | 340  | 205  | 150   | 130   | 170   | 40                                   |
| SNN         | 515-612 | 135                | 410  | 250  | 185   | 160   | 205   | 40                                   |
| SNN         | 516-613 | 140                | 430  | 260  | 190   | 175   | 215   | 40                                   |
| SNN         | 517     | 155                | 480  | 290  | 205   | 190   | 240   | 40                                   |
| SNN         | 518-615 | 180                | 550  | 340  | 250   | 215   | 275   | 85                                   |
| SNN         | 519-616 | 190                | 580  | 350  | 260   | 230   | 290   | 85                                   |
| SNN         | 520-617 | 200                | 620  | 370  | 280   | 250   | 310   | 130                                  |
| SNN         | 522-619 | 220                | 680  | 410  | 310   | 275   | 340   | 130                                  |
| SNN         | 524-620 | 260                | 790  | 470  | 350   | 320   | 400   | 130                                  |
| SNN         | 526     | 295                | 900  | 540  | 410   | 360   | 450   | 190                                  |
| SNN         | 528     | 345                | 1050 | 630  | 470   | 430   | 530   | 190                                  |
| SNN         | 530     | 390                | 1200 | 730  | 540   | 480   | 600   | 190                                  |
| SNN         | 532     | 470                | 1450 | 860  | 640   | 570   | 720   | 190                                  |

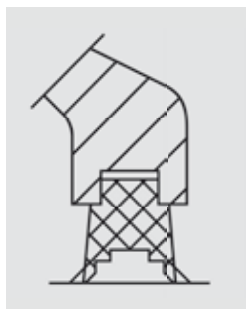
Cap bolt material: Grade 8.8  
Reference values only

# Cap & Fixing Bolts Sizes – Recommended Tightening Torques

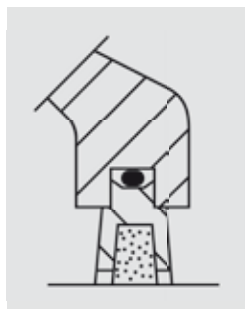
| SNN Housing | Cap Bolt Size<br>Grade 8.8 | Recommended<br>max. Tightening Torque | Base Bolts Size<br>Grade 8.8 | Recommended<br>max. Tightening Torque |
|-------------|----------------------------|---------------------------------------|------------------------------|---------------------------------------|
|             |                            | Nm                                    |                              | Nm                                    |
| SNN505      | M10                        | 50                                    | M12                          | 80                                    |
| SNN506-605  | M10                        | 50                                    | M12                          | 80                                    |
| SNN507-606  | M10                        | 50                                    | M12                          | 80                                    |
| SNN508-607  | M10                        | 50                                    | M12                          | 80                                    |
| SNN509      | M10                        | 50                                    | M12                          | 80                                    |
| SNN510-608  | M10                        | 50                                    | M12                          | 80                                    |
| SNN511-609  | M12                        | 80                                    | M16                          | 200                                   |
| SNN512-610  | M12                        | 80                                    | M16                          | 200                                   |
| SNN513-609  | M12                        | 80                                    | M16                          | 200                                   |
| SNN515-612  | M12                        | 80                                    | M16                          | 200                                   |
| SNN516-613  | M16                        | 150                                   | M20                          | 385                                   |
| SNN517      | M16                        | 150                                   | M20                          | 385                                   |
| SNN518-615  | M16                        | 150                                   | M20                          | 385                                   |
| SNN519-616  | M16                        | 150                                   | M20                          | 385                                   |
| SNN520-617  | M20                        | 200                                   | M24                          | 665                                   |
| SNN522-619  | M20                        | 200                                   | M24                          | 665                                   |
| SNN524-620  | M20                        | 200                                   | M24                          | 665                                   |
| SNN526      | M24                        | 350                                   | M24                          | 665                                   |
| SNN528      | M24                        | 350                                   | M30                          | 1310                                  |
| SNN530      | M24                        | 350                                   | M30                          | 1310                                  |
| SNN532      | M24                        | 350                                   | M30                          | 1310                                  |

# SNN Standard Sealing Arrangements

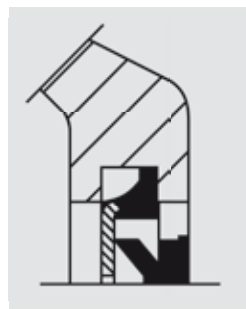
There are several different types of seal designs for use in SNN housings. Many alternative choices are available to the user to ensure that the most suitable solution will be found to meet a wide range of application conditions.



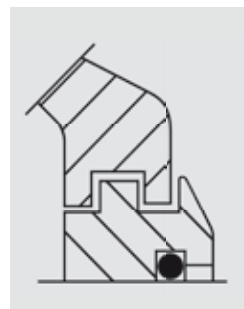
G Seals



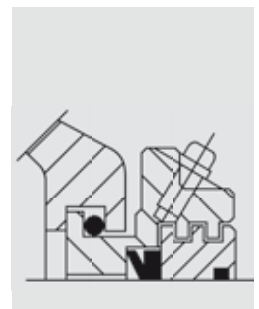
C Seals



V Seals



TS-U Seals

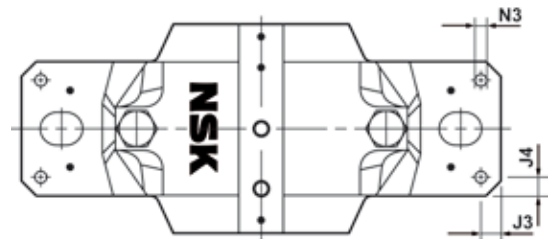
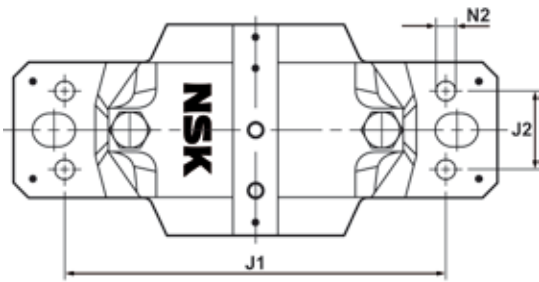


TACK Seals

| Seal Type                           | G Type                      | C Type                    | V Type           | TS-U Type       | TACK Type       |
|-------------------------------------|-----------------------------|---------------------------|------------------|-----------------|-----------------|
| <b>Material</b>                     | Thermo-plastic Polyurethane | Mild steel + Wool & Rayon | Mild steel & NBR | Cast Iron + NBR | Cast Iron + NBR |
| <b>Temperature</b>                  | -35°C to +80°C              | -40°C to +100°C           | -20°C to +100°C  | -40°C to +120°C | -40°C to +100°C |
| <b>Max. Speed</b>                   | 5m/s (1)                    | 4m/s                      | 7m/s (2)         | Same as Bearing | 7m/s (3)        |
| <b>Max. Misalignment</b>            | 0.5 to 1°                   | up to 0.5°                | 1 to 1.5°        | up to 0.3°      | up to 0.5°      |
| <b>Grease Lubrication</b>           | Excellent                   | Good                      | Excellent        | Good            | Good            |
| <b>Oil Lubrication</b>              | Good                        | Poor                      | Good             | Excellent       | Good            |
| <b>Low Friction Torque</b>          | Good                        | Poor                      | Good             | Excellent       | Good            |
| <b>Axial Shaft Displacement</b>     | Excellent                   | Excellent                 | Poor             | Fair            | Poor            |
| <b>Performance when exposed to:</b> |                             |                           |                  |                 |                 |
| <b>Dust</b>                         | Excellent                   | Excellent                 | Excellent        | Good            | Excellent       |
| <b>Large Particles</b>              | Good                        | Good                      | Poor             | Good            | Good            |
| <b>Water</b>                        | Good                        | Fair                      | Good             | Poor            | Good            |

- (1) With grease lubrication
- (2) Up to 12m/s with v-ring securing ring
- (3) Depends on shaft diameter

# 4 Bolt Fixing Holes / Locating Pin Holes – Recommended Dimensions



**Recommended Dimensions for 4-Bolt Fixing Holes (mm)**

| Housing No. | J1  | J2  | N2 | Bolt Size |
|-------------|-----|-----|----|-----------|
| SNN508-607  | 160 | 34  | 11 | M10       |
| SNN509      | 160 | 34  | 11 | M10       |
| SNN510-608  | 160 | 34  | 11 | M10       |
| SNN511-609  | 200 | 40  | 14 | M12       |
| SNN512-610  | 200 | 40  | 14 | M12       |
| SNN513-611  | 210 | 48  | 14 | M12       |
| SNN515-612  | 220 | 48  | 14 | M12       |
| SNN516-613  | 244 | 52  | 18 | M16       |
| SNN517      | 254 | 52  | 18 | M16       |
| SNN518-615  | 275 | 58  | 18 | M16       |
| SNN519-616  | 275 | 58  | 18 | M16       |
| SNN520-617  | 300 | 66  | 18 | M16       |
| SNN522-619  | 320 | 74  | 18 | M16       |
| SNN524-620  | 320 | 74  | 18 | M16       |
| SNN526      | 355 | 84  | 22 | M20       |
| SNN528      | 400 | 92  | 26 | M24       |
| SNN530      | 430 | 100 | 26 | M24       |
| SNN532      | 450 | 100 | 26 | M24       |

**Recommended Dimensions for Locating Pin Holes (mm)**

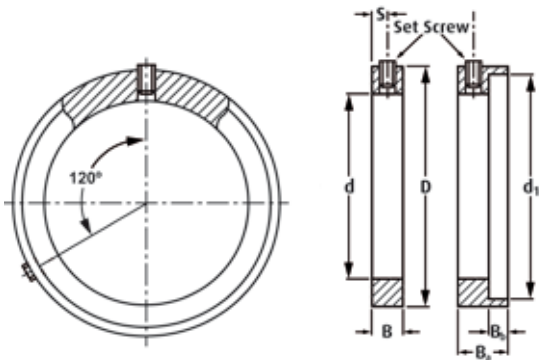
| Housing No. | J3 | J4 | N3 Max |
|-------------|----|----|--------|
| SNN505      | 7  | 7  | 6      |
| SNN506-605  | 8  | 8  | 6      |
| SNN507-606  | 8  | 8  | 6      |
| SNN508-607  | 9  | 9  | 8      |
| SNN509      | 9  | 9  | 8      |
| SNN510-608  | 9  | 9  | 8      |
| SNN511-609  | 10 | 10 | 10     |
| SNN512-610  | 10 | 10 | 10     |
| SNN513-611  | 12 | 12 | 10     |
| SNN515-612  | 12 | 12 | 10     |
| SNN516-613  | 15 | 15 | 12     |
| SNN517      | 15 | 15 | 12     |
| SNN518-615  | 15 | 15 | 12     |
| SNN519-616  | 15 | 15 | 12     |
| SNN520-617  | 15 | 15 | 12     |
| SNN522-619  | 18 | 18 | 16     |
| SNN524-620  | 18 | 18 | 16     |
| SNN526      | 18 | 18 | 16     |
| SNN528      | 18 | 18 | 16     |
| SNN530      | 18 | 18 | 16     |
| SNN532      | 18 | 18 | 16     |

# Supply of Seals

- › Double lip seals G type (designation example: G509-kit) are supplied in pairs in a plastic bag (4 halves, to equip both sides of the housing)
- › Felt seals C type (designation example: C509-kit) are supplied in pairs in a plastic bag (4 NBR o-rings, 4 halves/steel adapters, 4 felt strips, to equip both sides of the housing)
- › v-ring seals V type (designation example: V509-kit) are supplied in pairs in a plastic bag (2 NBR v-rings, 2 mild steel + NBR plates, to equip both sides of the housing)
- › Labyrinth seals TS-U type (designation example: TS509U) are supplied as a single item in a plastic bag (1 cast iron labyrinth + 1 NBR o-ring, to equip 1 side of the housing)
- › Taconite seals TACK type (designation example: TACK509) are supplied as a single item in a plastic bag (1 cast iron labyrinth, 2 NBR o-ring, 1 NBR v-ring, 1 cast iron body and 1 grease nipple, to equip 1 side of the housing)
- › End cover A (designation example: 509A) are supplied as a single item in a plastic bag (1 NBR + Mild steel plate to equip 1 side of the housing)

**Seals for high temperature applications can be supplied on request. For more information, please consult NSK.**

# V Seals Securing Rings – Recommended Dimensions



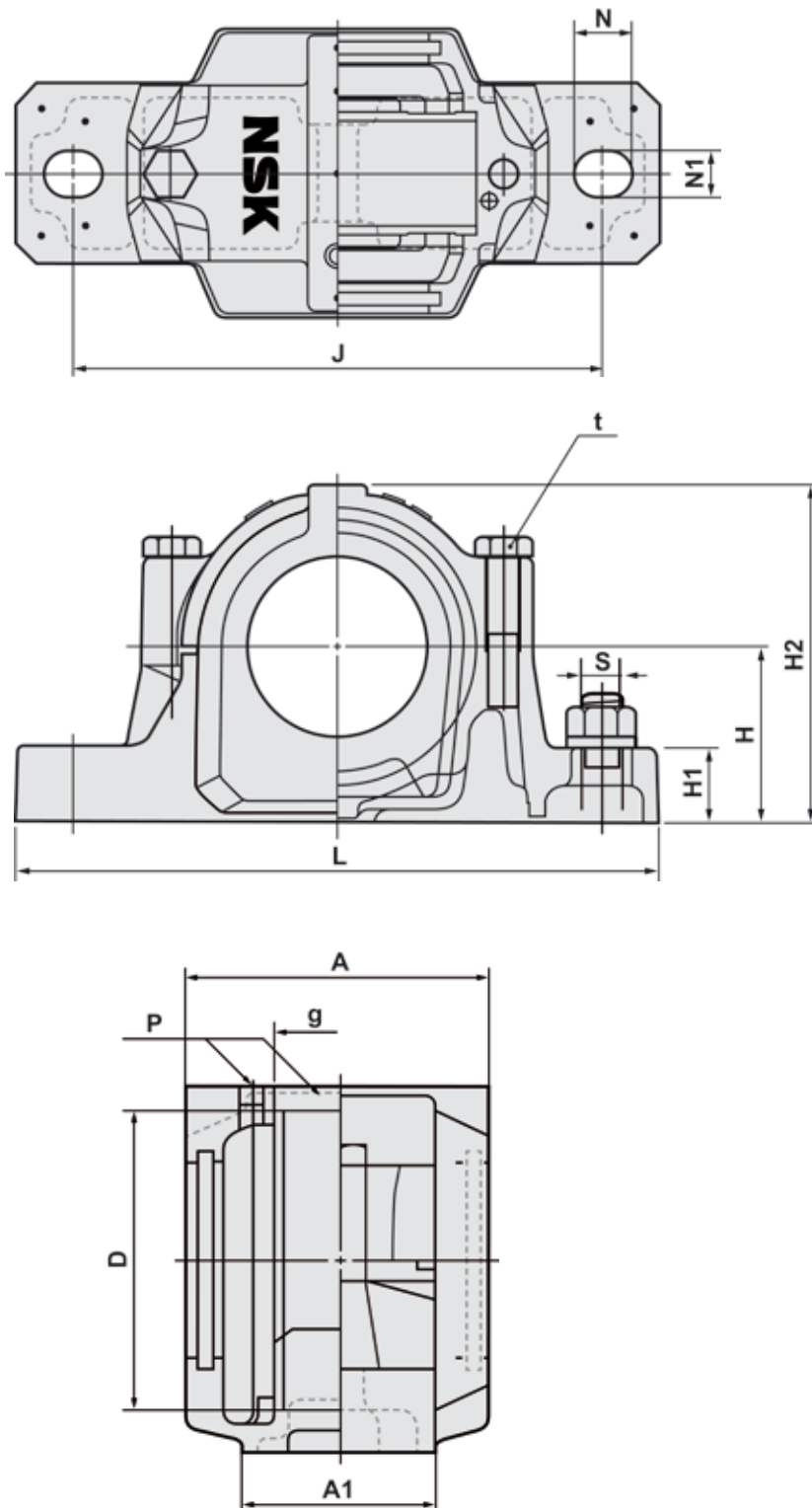
| Shaft Diameter | d (H7) | D     | B  | Ba   | Bb  | d1    | S   | Set Screw |
|----------------|--------|-------|----|------|-----|-------|-----|-----------|
| mm             | mm     | mm    | mm | mm   | mm  | mm    | mm  | Din913    |
| 20             | 20     | 30.0  | 6  | 9.5  | 3.5 | 27.2  | 3.0 | M3        |
| 25             | 25     | 35.0  | 6  | 9.5  | 3.5 | 32.1  | 3.0 | M3        |
| 30             | 30     | 40.0  | 6  | 9.5  | 3.5 | 37.2  | 3.0 | M3        |
| 35             | 35     | 45.0  | 6  | 9.5  | 3.5 | 42.2  | 3.0 | M3        |
| 40             | 40     | 53.0  | 8  | 12.5 | 4.5 | 49.1  | 4.0 | M4        |
| 45             | 45     | 58.0  | 8  | 12.5 | 4.5 | 54.0  | 4.0 | M4        |
| 50             | 50     | 63.0  | 8  | 12.5 | 4.5 | 59.1  | 4.0 | M4        |
| 55             | 55     | 68.0  | 8  | 12.5 | 4.5 | 64.1  | 4.0 | M4        |
| 60             | 60     | 73.0  | 8  | 12.5 | 4.5 | 69.1  | 4.0 | M4        |
| 65             | 65     | 78.0  | 8  | 12.5 | 4.5 | 74.1  | 4.0 | M4        |
| 70             | 70     | 84.0  | 8  | 14.0 | 6.0 | 81.0  | 4.0 | M4        |
| 75             | 75     | 89.5  | 10 | 16.0 | 6.0 | 86.0  | 5.0 | M5        |
| 80             | 80     | 94.5  | 10 | 16.0 | 6.0 | 91.0  | 5.0 | M5        |
| 85             | 85     | 100.0 | 10 | 16.0 | 6.0 | 96.0  | 5.0 | M5        |
| 90             | 90     | 105.0 | 10 | 16.0 | 6.0 | 101.0 | 5.0 | M5        |
| 95             | 95     | 109.0 | 10 | 16.0 | 6.0 | 106.0 | 5.0 | M5        |
| 100            | 100    | 115.0 | 10 | 16.0 | 6.0 | 111.0 | 5.0 | M5        |
| 110            | 110    | 128.0 | 11 | 18.5 | 7.5 | 122.9 | 5.5 | M6        |
| 115            | 115    | 133.0 | 11 | 18.5 | 7.5 | 127.4 | 5.5 | M6        |
| 125            | 125    | 143.0 | 11 | 18.5 | 7.5 | 138.1 | 5.5 | M6        |
| 135            | 135    | 153.0 | 11 | 18.5 | 7.5 | 147.5 | 5.5 | M6        |
| 140            | 140    | 158.0 | 11 | 18.5 | 7.5 | 152.9 | 5.5 | M6        |
| 145            | 145    | 163.0 | 11 | 18.5 | 7.5 | 158.1 | 5.5 | M6        |
| 155            | 155    | 173.0 | 11 | 19.5 | 8.5 | 167.5 | 5.5 | M6        |
| 165            | 165    | 185.5 | 11 | 19.5 | 8.5 | 179.9 | 5.5 | M6        |
| 175            | 175    | 195.0 | 11 | 19.5 | 8.5 | 189.3 | 5.5 | M6        |

NB: not supplied by NSK

# Relationship between Circumferential and Rotational Speed

| Shaft Diameter<br>(mm) | Circumferential Speed                            |       |       |        |
|------------------------|--|-------|-------|--------|
|                        | 4 m/s  | 5 m/s | 7 m/s | 12 m/s |
|                        | Corresponding Rotational Speed min <sup>-1</sup> |       |       |        |
| 20                     | 3820   | 4775  | 6685  | 11460  |
| 25                     | 3060   | 3825  | 5355  | 9170   |
| 30                     | 2550   | 3188  | 4463  | 7640   |
| 35                     | 2180   | 2725  | 3815  | 6550   |
| 40                     | 1910   | 2388  | 3343  | 5730   |
| 45                     | 1700   | 2125  | 2975  | 5090   |
| 50                     | 1530   | 1913  | 2678  | 4580   |
| 55                     | 1390   | 1738  | 2433  | 4170   |
| 60                     | 1270   | 1588  | 2223  | 3820   |
| 65                     | 1180   | 1475  | 2065  | 3530   |
| 70                     | 1090   | 1363  | 1908  | 3270   |
| 75                     | 1020   | 1275  | 1785  | 3060   |
| 80                     | 950  | 1188  | 1663  | 2860   |
| 85                     | 900  | 1125  | 1575  | 2700   |
| 90                     | 850  | 1063  | 1488  | 2550   |
| 95                     | 800  | 1000  | 1400  | 2410   |
| 100                    | 760  | 950   | 1330  | 2290   |
| 110                    | 690  | 863   | 1208  | 2080   |
| 115                    | 660  | 825   | 1155  | 1990   |
| 120                    | 640  | 800   | 1120  | 1910   |
| 125                    | 610  | 763   | 1068  | 1830   |
| 130                    | 590  | 738   | 1033  | 1760   |
| 135                    | 570  | 713   | 998   | 1700   |
| 140                    | 550  | 688   | 963   | 1640   |
| 145                    | 530  | 663   | 928   | 1580   |
| 150                    | 510  | 638   | 893   | 1530   |
| 155                    | 490  | 613   | 858   | 1480   |
| 165                    | 460  | 575   | 805   | 1390   |
| 175                    | 440  | 550   | 770   | 1310   |

# Dimensions

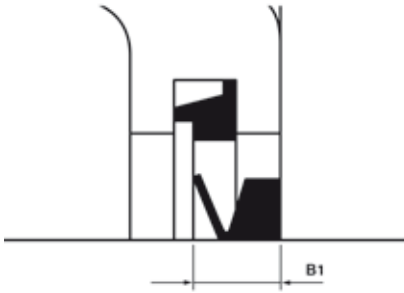


| Shaft Diam.<br>D (mm) | Bearing |        | Adapter Sleeve |
|-----------------------|---------|--------|----------------|
|                       | Ball    | Roller |                |
| 20                    | 1205K   | -      | H205           |
|                       | 2205K   | 22205K | H305           |
|                       | 1305K   | 21305K | H305           |
|                       | 2305K   | -      | H2305          |
| 25                    | 1206K   | -      | H206           |
|                       | 2206K   | 22206K | H306           |
|                       | 1306K   | 21306K | H306           |
|                       | 2306K   | -      | H2306          |
| 30                    | 1207K   | -      | H207           |
|                       | 2207K   | 22207K | H307           |
|                       | 1307K   | 21307K | H307           |
|                       | 2307K   | -      | H2307          |
| 35                    | 1208K   | -      | H208           |
|                       | 2208K   | 22208K | H308           |
|                       | 1308K   | 21308K | H308           |
|                       | 2308K   | 22308K | H2308          |
| 40                    | 1209K   | -      | H209           |
|                       | 2209K   | 22209K | H309           |
|                       | 1309K   | 21309K | H309           |
|                       | 2309K   | 22309K | H2309          |
| 45                    | 1210K   | -      | H210           |
|                       | 2210K   | 22210K | H310           |
|                       | 1310K   | 21310K | H310           |
|                       | 2310K   | 22310K | H2310          |
| 50                    | 1211K   | -      | H211           |
|                       | 2211K   | 22211K | H311           |
|                       | 1311K   | 21311K | H311           |
|                       | 2311K   | 22311K | H2311          |
| 55                    | 1212K   | -      | H212           |
|                       | 2212K   | 22212K | H312           |
|                       | 1312K   | 21312K | H312           |
|                       | 2312K   | 22312K | H2312          |
| 60                    | 1213K   | -      | H213           |
|                       | 2213K   | 22213K | H313           |
|                       | 1313K   | 21313K | H313           |
|                       | 2313K   | 22313K | H2313          |
| 65                    | 1215K   | -      | H215           |
|                       | 2215K   | 22215K | H315           |
|                       | 1315K   | 21315K | H315           |
|                       | 2315K   | 22315K | H2315          |
| 70                    | 1216K   | -      | H216           |
|                       | 2216K   | 22216K | H316           |
|                       | 1316K   | 21316K | H316           |
|                       | 2316K   | 22316K | H2316          |
| 75                    | 1217K   | -      | H217           |
|                       | 2217K   | 22217K | H317           |
|                       | 1317K   | 21317K | H317           |
|                       | 2317K   | 22317K | H2317          |
| 80                    | 1218K   | -      | H218           |
|                       | 2218K   | 22218K | H318           |
|                       | -       | 23218K | H2318          |
|                       | 1219K   | -      | H219           |
| 85                    | 2219K   | 22219K | H319           |
|                       | 1319K   | 21319K | H319           |
|                       | 2319K   | 22319K | H2319          |
|                       | 1220K   | -      | H220           |
| 90                    | 2220K   | 22220K | H320           |
|                       | -       | 23220K | H2320          |
|                       | 1320K   | 21320K | H320           |
|                       | 2320K   | 22320K | H2320          |
| 100                   | 1222K   | -      | H222           |
|                       | 2222K   | 22222K | H322           |
|                       | -       | 23222K | H2322          |
|                       | -       | 22224K | H3124          |
| 110                   | -       | 23224K | H2324          |
|                       | -       | 22226K | H3126          |
| 115                   | -       | 23226K | H2326          |
|                       | -       | 22228K | H3128          |
| 125                   | -       | 23228K | H2328          |
|                       | -       | 22230K | H3130          |
| 135                   | -       | 23230K | H2330          |
|                       | -       | 22232K | H3132          |
| 140                   | -       | 23232K | H2332          |



|  | Locating Ring Kit<br>(2 rings)                              | Housing          | Housing Designation      | D<br>(mm)  | H<br>(mm) | J<br>(mm) | A<br>(mm)  | L<br>(mm) | A1<br>(mm) | H1<br>(mm) | H2<br>(mm) | g<br>(mm) | t<br>(mm) | N<br>(mm) | N1<br>(mm) | s<br>(mm) | P    | Mass<br>(kg)   |
|--|---|------------------|--------------------------|------------|-----------|-----------|------------|-----------|------------|------------|------------|-----------|-----------|-----------|------------|-----------|------|----------------|
|  | SR52x5<br>SR52x3.5  | SNN505           | SNN505                   | 52         | 40        | 130       | 70         | 165       | 46         | 22         | 73         | 25        | M10       | 20        | 15         | M12       | R1/8 | 1.45           |
|  | SR62x7.5<br>SR62x4<br>SR62x8<br>SR62x6                      | SNN605<br>SNN506 | SNN506-605               | 62         | 50        | 150       | 80         | 185       | 52         | 22         | 88         | 32        | M10       | 20        | 15         | M12       | R1/8 | 2.00           |
|  | SR72x7.5<br>SR72x3.5<br>SR72x8.5<br>SR72x5.5                | SNN606<br>SNN507 | SNN507-606               | 72         | 50        | 150       | 85         | 185       | 52         | 22         | 93         | 34        | M10       | 20        | 15         | M12       | R1/8 | 2.20           |
|  | SR80x9<br>SR80x4<br>SR80x10.5<br>SR80x8<br>SR90x9<br>SR90x4 | SNN607<br>SNN508 | SNN508-607               | 80         | 60        | 170       | 90         | 205       | 60         | 25         | 107        | 39        | M10       | 20        | 15         | M12       | R1/8 | 2.90           |
|  | SR85x5.5<br>SR85x3.5  | SNN608<br>SNN509 | SNN510-608<br>SNN509     | 90<br>85   | 60        | 170       | 95<br>90   | 205       | 60         | 25         | 113<br>111 | 41<br>30  | M10       | 20        | 15         | M12       | R1/8 | 3.10<br>3.00   |
|  | SR100x9.5<br>SR100x4<br>SR90x10.5<br>SR90x9                 | SNN609<br>SNN510 | SNN511-609<br>SNN510-608 | 100<br>90  | 70        | 210       | 100<br>95  | 255       | 70         | 28         | 129        | 44        | M12       | 24        | 18         | M16       | R1/8 | 4.80<br>3.10   |
|  | SR110x10.5<br>SR110x4<br>SR100x11.5<br>SR100x9.5            | SNN610<br>SNN511 | SNN512-610<br>SNN511-609 | 110<br>100 | 70        | 210       | 110<br>100 | 255       | 70         | 30         | 134        | 48        | M12       | 24        | 18         | M16       | R1/8 | 5.40<br>4.80   |
|  | SR120x11<br>SR120x4<br>SR110x13<br>SR110x10                 | SNN611<br>SNN512 | SNN513-611<br>SNN512-610 | 120<br>110 | 80        | 230       | 115<br>110 | 275       | 80         | 30         | 150        | 51        | M12       | 24        | 18         | M16       | R1/8 | 6.60<br>5.40   |
|  | SR130x12.5<br>SR130x5<br>SR120x14<br>SR120x10               | SNN612<br>SNN513 | SNN515-612<br>SNN513-611 | 130<br>120 | 80        | 230       | 120<br>115 | 280       | 80         | 30         | 155        | 56        | M12       | 24        | 18         | M16       | R1/8 | 6.80<br>6.60   |
|  | SR140x12.5<br>SR140x5<br>SR130x15.5<br>SR130x12.5           | SNN613<br>SNN515 | SNN516-613<br>SNN515-612 | 140<br>130 | 95        | 260       | 130<br>120 | 315       | 90         | 32         | 175        | 58        | M16       | 28        | 22         | M20       | R1/4 | 10.20<br>6.80  |
|  | SR160x14<br>SR160x5<br>SR140x16<br>SR140x12.5               | SNN615<br>SNN516 | SNN518-615<br>SNN516-613 | 160<br>140 | 100       | 290       | 145<br>130 | 345       | 100        | 35         | 193        | 65        | M16       | 28        | 22         | M20       | R1/4 | 13.00<br>10.20 |
|  | SR170x14.5<br>SR170x5<br>SR150x16.5<br>SR150x12.5           | SNN616<br>SNN517 | SNN519-616<br>SNN517     | 170<br>150 | 112       | 290       | 145<br>135 | 345       | 100        | 35         | 210        | 68        | M16       | 28        | 22         | M20       | R1/4 | 14.50<br>11.20 |
|  | SR180x14.5<br>SR180x5<br>SR160x17.5<br>SR160x12.5           | SNN617<br>SNN518 | SNN520-617<br>SNN518-615 | 180<br>160 | 112       | 320       | 160<br>145 | 380       | 110        | 40         | 215        | 70        | M20       | 32        | 26         | M24       | R1/4 | 18.30<br>13.00 |
|  | SR160x6.25<br>SR170x18<br>SR170x12.5<br>SR200x17.5          | SNN519<br>SNN619 | SNN519-616<br>SNN522-619 | 170<br>200 | 112       | 290       | 145<br>175 | 345       | 100        | 35         | 210        | 68        | M16       | 28        | 22         | M20       | R1/4 | 14.50<br>24.00 |
|  | SR200x6.5<br>SR180x18<br>SR180x12<br>SR180x4.75             | SNN520           | SNN520-617               | 180        | 112       | 320       | 160        | 380       | 110        | 40         | 215        | 70        | M20       | 32        | 26         | M24       | R1/4 | 18.30          |
|  | SR215x19.5<br>SR215x6.5<br>SR200x21<br>SR200x13.5           | SNN620<br>SNN522 | SNN524-620<br>SNN522-619 | 215<br>200 | 140       | 350       | 185<br>175 | 410       | 120        | 45         | 271        | 86        | M20       | 32        | 26         | M24       | R3/8 | 26.20<br>24.00 |
|  | SR200x5<br>SR215x14<br>SR215x5<br>SR230x13                  | SNN524           | SNN524-620               | 215        | 140       | 350       | 185        | 410       | 120        | 45         | 271        | 86        | M20       | 32        | 26         | M24       | R3/8 | 26.20          |
|  | SR230x5<br>SR250x15<br>SR250x5<br>SR270x16.5                | SNN526<br>SNN528 | SNN526<br>SNN528         | 230<br>250 | 150       | 380       | 190<br>205 | 445       | 130        | 50         | 288        | 90        | M24       | 35        | 28         | M24       | R3/8 | 33.00<br>40.00 |
|  | SR270x5<br>SR290x17<br>SR290x5                              | SNN530<br>SNN532 | SNN530<br>SNN532         | 270<br>290 | 160       | 450       | 220<br>235 | 530       | 160        | 60         | 322        | 106       | M24       | 42        | 35         | M30       | R3/8 | 49.00<br>55.00 |

# Seals Table



| Shaft Diam.<br>D (mm) | Housing    | G Seals KIT | C Seals KIT | V Seals KIT        | TS-U Seals | TACK Seals | End Cover |
|-----------------------|------------|-------------|-------------|--------------------|------------|------------|-----------|
|                       |            |             |             | (B1: Fitted Width) |            |            |           |
| 20                    | SNN505     | G505-KIT    | C505-KIT    | V505-KIT (6 ±0.8)  | TS505U     | TACK505    | 505A      |
|                       | SNN506-605 | G605-KIT    | C605-KIT    | V605-KIT (6 ±0.8)  | TS605U     | TACK605    | 505A      |
| 25                    | SNN506-605 | G506-KIT    | C506-KIT    | V506-KIT (6 ±0.8)  | TS506U     | TACK506    | 506A      |
|                       | SNN507-606 | G606-KIT    | C606-KIT    | V606-KIT (6 ±0.8)  | TS606U     | TACK606    | 507A      |
| 30                    | SNN507-606 | G507-KIT    | C507-KIT    | V507-KIT (6 ±0.8)  | TS507U     | TACK507    | 507A      |
|                       | SNN508-607 | G607-KIT    | C607-KIT    | V607-KIT (6 ±0.8)  | TS607U     | TACK607    | 508A      |
| 35                    | SNN508-607 | G508-KIT    | C508-KIT    | V508-KIT (6 ±0.8)  | TS508U     | TACK508    | 508A      |
|                       | SNN510-608 | G608-KIT    | C608-KIT    | V608-KIT (6 ±0.8)  | TS608U     | TACK608    | 510A      |
| 40                    | SNN509     | G509-KIT    | C509-KIT    | V509-KIT (7 ±1)    | TS509U     | TACK509    | 509A      |
|                       | SNN511-609 | G609-KIT    | C609-KIT    | V609-KIT (7 ±1)    | TS609U     | TACK609    | 511A      |
| 45                    | SNN510-608 | G510-KIT    | C510-KIT    | V510-KIT (7 ±1)    | TS510U     | TACK510    | 510A      |
|                       | SNN512-610 | G610-KIT    | C610-KIT    | V610-KIT (7 ±1)    | TS610U     | TACK610    | 512A      |
| 50                    | SNN511-609 | G511-KIT    | C511-KIT    | V511-KIT (7 ±1)    | TS511U     | TACK511    | 511A      |
|                       | SNN513-611 | G611-KIT    | C611-KIT    | V611-KIT (7 ±1)    | TS611U     | TACK611    | 513A      |
| 55                    | SNN512-610 | G512-KIT    | C512-KIT    | V512-KIT (7 ±1)    | TS512U     | TACK512    | 512A      |
|                       | SNN515-612 | G612-KIT    | C612-KIT    | V612-KIT (7 ±1)    | TS612U     | TACK612    | 515A      |
| 60                    | SNN513-611 | G513-KIT    | C513-KIT    | V513-KIT (7 ±1)    | TS513U     | TACK513    | 513A      |
|                       | SNN516-613 | G613-KIT    | C613-KIT    | V613-KIT (7 ±1)    | TS613U     | TACK613    | 516A      |
| 65                    | SNN515-612 | G515-KIT    | C515-KIT    | V515-KIT (7 ±1)    | TS515U     | TACK515    | 515A      |
|                       | SNN518-615 | G615-KIT    | C615-KIT    | V615-KIT (7 ±1)    | TS615U     | TACK615    | 518A      |
| 70                    | SNN516-613 | G516-KIT    | C516-KIT    | V516-KIT (9 ±1.2)  | TS516U     | TACK516    | 516A      |
|                       | SNN519-616 | G616-KIT    | C616-KIT    | V616-KIT (9 ±1.2)  | TS616U     | TACK616    | 519A      |
| 75                    | SNN517     | G517-KIT    | C517-KIT    | V517-KIT (9 ±1.2)  | TS517U     | TACK517    | 517A      |
|                       | SNN520-617 | G617-KIT    | C617-KIT    | V617-KIT (9 ±1.2)  | TS617U     | TACK617    | 520A      |
| 80                    | SNN518-615 | G518-KIT    | C518-KIT    | V518-KIT (9 ±1.2)  | TS518U     | TACK518    | 518A      |
| 85                    | SNN519-616 | G519-KIT    | C519-KIT    | V519-KIT (9 ±1.2)  | TS519U     | TACK519    | 519A      |
|                       | SNN522-619 | G619-KIT    | C619-KIT    | V619-KIT (9 ±1.2)  | TS619U     | TACK619    | 522A      |
| 90                    | SNN520-617 | G520-KIT    | C520-KIT    | V520-KIT (9 ±1.2)  | TS520U     | TACK520    | 520A      |
|                       | SNN524-620 | G620-KIT    | C620-KIT    | V620-KIT (9 ±1.2)  | TS620U     | TACK620    | 524A      |
| 100                   | SNN522-619 | G522-KIT    | C522-KIT    | V522-KIT (9 ±1.2)  | TS522U     | TACK522    | 522A      |
| 110                   | SNN524-620 | G524-KIT    | C524-KIT    | V524-KIT (9 ±1.2)  | TS524U     | TACK524    | 524A      |
| 115                   | SNN526     | G526-KIT    | C526-KIT    | V526-KIT (9 ±1.2)  | TS526U     | TACK526    | 526A      |
| 125                   | SNN528     | G528-KIT    | C528-KIT    | V528-KIT (9 ±1.2)  | TS528U     | TACK528    | 528A      |
| 135                   | SNN530     | G530-KIT    | C530-KIT    | V530-KIT (9 ±1.2)  | TS530U     | TACK530    | 530A      |
| 140                   | SNN532     | G532-KIT    | C532-KIT    | V532-KIT (9 ±1.2)  | TS532U     | TACK532    | 532A      |

# How to order SNN complete Plummer Blocks from NSK

## Example 1 – Application with 2 plummer blocks

### Free end

Through shaft diam 50 mm, equipped with 1 spherical roller bearing 22211EAK, double lip seals on both sides.

#### Parts required:

- › 1 NSK housing SNN511-609
- › 1 NSK bearing 22211EAKE4
- › 1 NSK adapter sleeve H311
- › 1 seal pack G511-KIT (2 seals included)

### Fixed end

Shaft end, diam 50 mm, equipped with 1 spherical roller bearing 22211EAK, double lip seal on 1 side.

#### Parts required:

- › 1 NSK housing SNN511-609
- › 1 NSK bearing 22211EAKE4
- › 1 NSK adapter sleeve H311
- › 1 locating ring kit SR100/9.5-KIT (2 rings included)
- › 1 seal pack G511-KIT (2 seals included)
- › 1 end cover 511A

## Example 2 – Application with 2 plummer blocks

### Free end

Through shaft diam 75 mm, equipped with 1 spherical roller bearing 22217EAK, labyrinth seals on both sides.

#### Parts required:

- › 1 NSK housing SNN517
- › 1 NSK bearing 22217EAKE4
- › 1 NSK adapter sleeve H317
- › 2 seals TS517U (the kit includes 1 labyrinth and o-ring)

### Fixed end

Shaft end, diam 75 mm, equipped with 1 spherical roller bearing 22217EAK, labyrinth seal on 1 side.

#### Parts required:

- › 1 NSK housing SNN517
- › 1 NSK bearing 22217EAKE4
- › 1 NSK adapter sleeve H317
- › 1 locating ring kit SR150/12.5-KIT (2 rings included)
- › 1 seal TS517U (the kit includes 1 labyrinth and o-ring)
- › 1 end cover 517A

# Maintenance

## Plummer blocks typical arrangement

Usually, a shaft is supported by 2 plummer blocks or more if the shaft is very long. One plummer block will locate the shaft axially. This bearing is referred to as the "Fixed End".

In the fixed plummer block, to prevent axial displacement of the bearing, 2 locating rings are installed, one on either side of the bearing. Axial displacement of the shaft is then impossible (**Fig. 1**). If the system is subjected to variations of temperature, the shaft may expand or contract axially.

If both bearings are fixed, this could result in excessive loading on the bearing set, resulting in reduced service life. For this reason, one bearing should be free to move axially. This bearing is referred to as the "Free End" or "Floating End". This plummer block should not be assembled with locating rings. The absence of locating rings combined with the H7 bearing seating tolerance will allow the bearing to move axially if required (**Fig. 2**).

Locating rings for each housing size and bearing type are detailed on page 17 and 50.

Fig. 1

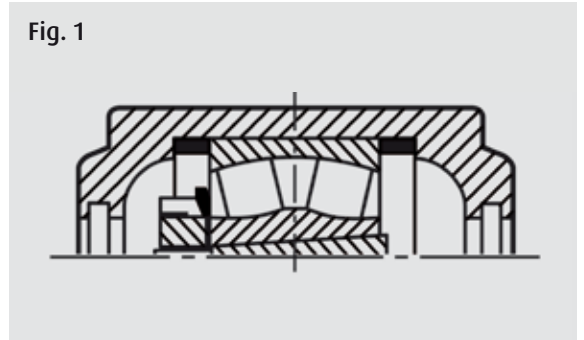
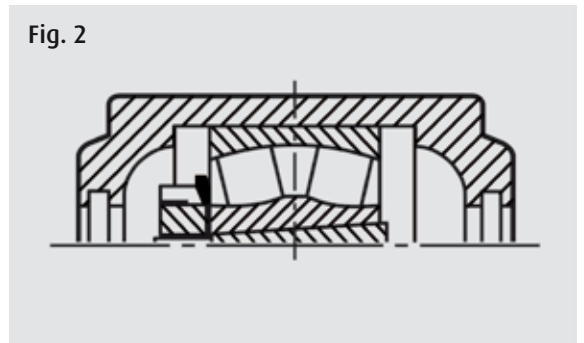


Fig. 2



# Lubrication

SNN plummer blocks have been developed primarily for grease lubrication.

NSK SNN housings are equipped as standard with 1 straight grease nipple, 2 lubrication holes, 1 on one side of the cap, the other in the centre of the cap to enable lubrication through the bearing outer ring grease groove. This relubrication method is preferred as fresh grease is delivered directly to the bearing. SNN housings are also equipped with a threaded drain hole.

The application conditions (speeds, loads, temperature) will determine the grease re-lubrication intervals and quantity. However, in addition to the bearing grease fill, it is necessary to fill the housing with a certain quantity of grease before the first use. For recommended grease weight/initial fill, please refer to the table on the right side.



| SNN Housing | Grease Weight Initial Fill (g) |
|-------------|--------------------------------|
| SNN505      | 25                             |
| SNN506-605  | 40                             |
| SNN507-606  | 50                             |
| SNN508-607  | 60                             |
| SNN509      | 65                             |
| SNN510-608  | 75                             |
| SNN511-609  | 100                            |
| SNN512-610  | 150                            |
| SNN513-611  | 180                            |
| SNN515-612  | 230                            |
| SNN516-613  | 280                            |
| SNN517      | 330                            |
| SNN518-615  | 430                            |
| SNN519-616  | 480                            |
| SNN520-617  | 630                            |
| SNN522-619  | 850                            |
| SNN524-620  | 1000                           |
| SNN526      | 1100                           |
| SNN528      | 1400                           |
| SNN530      | 1700                           |
| SNN532      | 2000                           |

| Housing                  | Size of Grease Nipple | Size of Threaded Drain Hole |
|--------------------------|-----------------------|-----------------------------|
| SNN505 to SNN515-612     | R1/8                  | R1/8                        |
| SNN516-613 to SNN522-619 | R1/4                  | R1/4                        |
| SNN524-620 to SNN532     | R3/8                  | R3/8                        |

# Mounting of Spherical Roller Bearings on Adapter Sleeves

1. With bearing on bench check clearance using the feeler gauges over the top of the rollers at the top of the bearing as shown in **Fig. 1** and note the clearance.
2. Before mounting, smear the thread and the side face of the nut with a molybdenum disulphide paste or similar lubricant.
3. Smear the shaft and outside diameter of sleeve with a light oil.
4. Open the sleeve slightly by inserting and twisting a screw driver into the slit in the sleeve and position the sleeve on the shaft.
5. Slide bearing, lockwasher and locknut onto sleeve and tighten nut with a 'C' spanner until all slackness is removed.
6. Further tighten the nut until the clearance has been reduced by the amount shown in the chart on page 24 but when the bearing is mounted on the shaft the clearance should be checked under the rollers at the bottom of the bearing as shown in **Fig. 2**.
7. Check the clearance has not been reduced below the minimum permissible residual clearance shown in the chart on page 24 for the size and clearance of bearing.
8. Align one tab on the lock washer with a slot in the locknut and bend it into the slot, if no tabs line up with the slots slightly tighten the locknut until one lines up. **Never back off the nut to line up the tab with the slot.**
9. Check the bearing rotates freely without any binding.

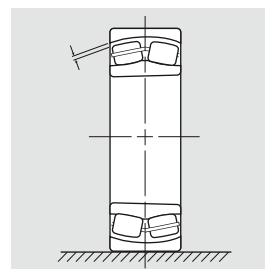
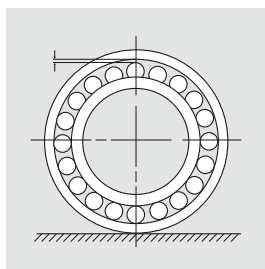


Fig. 1: Checking bearing clearance with bearing on bench.

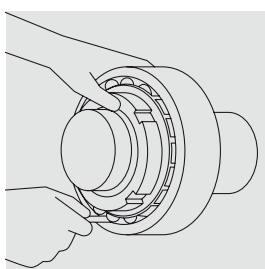
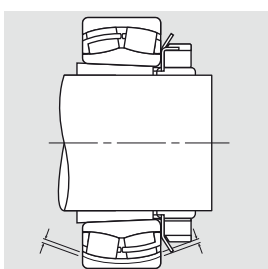


Fig. 2: Checking bearing clearance with bearing mounted on shaft.

# Mounting of Spherical Roller Bearings on an Adapter Sleeve using the Axial Drive-Up Method

1. Before mounting, smear the thread and the side face of the nut with a molybdenum disulphide paste or similar lubricant.
2. Smear the shaft and outside diameter of sleeve with a light oil.
3. Open the sleeve slightly by inserting and twisting a screwdriver into the slit in the sleeve and position the sleeve on the shaft.
4. Slide bearing, lockwasher and locknut onto sleeve and tighten nut with a 'C' spanner until all slackness is removed.
5. Measure dimension 'X' as shown in **Fig. 3**.
6. Tighten the nut and **decrease** dimension 'X' by the amount of axial drive-up shown in the chart on page 24 for the correct size of bearing.
7. Check bearing clearance as shown on page 22 to ensure the clearance is not less than the minimum permissible residual clearance shown in the chart on page 24 for the size and clearance of bearing.
8. Align one tab on the lock washer with a slot in the locknut and bend it into the slot, if no tabs line up with the slots slightly tighten the locknut until one lines up. **Never back off the nut to line up the tab with the slot.**
9. Check the bearing rotates freely without binding.

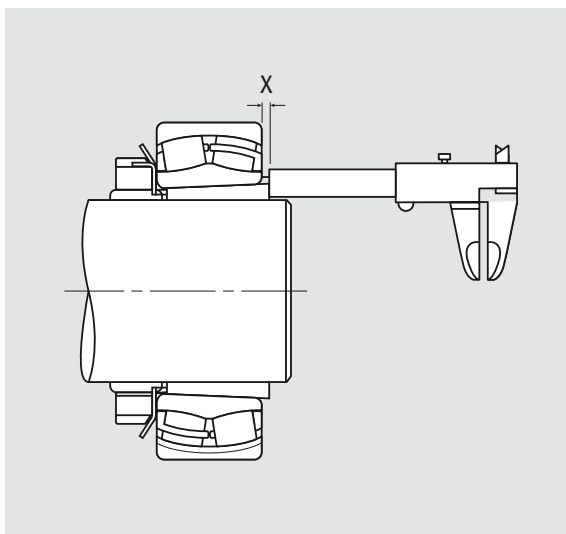


Fig. 3

# Mounting of Spherical Roller Bearings

## Radial Internal Clearance

| Bearing Bore Diameter mm |       | Initial Radial Internal Clearance |       |       |       |       |       | Reduction in Radial Clearance |       | Axial Drive-Up |      | Nominal Tightening Angle | Minimum Permissible Residual Clearance |       |       |
|--------------------------|-------|-----------------------------------|-------|-------|-------|-------|-------|-------------------------------|-------|----------------|------|--------------------------|--|-------|-------|
| over                     | incl. | CN                                |       | C3    |       | C4    |       | min                           | max   | min            | max  | nominal                  | CN                                     | C3    | C4    |
|                          |       | min                               | max   | min   | max   | min   | max   |                               |       |                |      |                          |  |       |       |
| 30                       | 40    | 0.035                             | 0.050 | 0.050 | 0.065 | 0.065 | 0.085 | 0.25                          | 0.030 | 0.40           | 0.45 | 100°                     | 0.010                                  | 0.25  | 0.035 |
| 40                       | 50    | 0.045                             | 0.060 | 0.060 | 0.080 | 0.080 | 0.100 | 0.030                         | 0.035 | 0.45           | 0.55 | 120°                     | 0.015                                  | 0.030 | 0.045 |
| 50                       | 65    | 0.055                             | 0.075 | 0.075 | 0.095 | 0.095 | 0.120 | 0.030                         | 0.035 | 0.45           | 0.55 | 90°                      | 0.025                                  | 0.035 | 0.060 |
| 65                       | 80    | 0.070                             | 0.095 | 0.095 | 0.120 | 0.120 | 0.150 | 0.040                         | 0.040 | 0.60           | 0.70 | 120°                     | 0.030                                  | 0.040 | 0.075 |
| 80                       | 100   | 0.080                             | 0.110 | 0.110 | 0.140 | 0.140 | 0.180 | 0.045                         | 0.055 | 0.070          | 0.85 | 140°                     | 0.035                                  | 0.050 | 0.085 |
| 100                      | 120   | 0.100                             | 0.135 | 0.135 | 0.170 | 0.170 | 0.220 | 0.050                         | 0.060 | 0.75           | 0.90 |                          | 0.045                                  | 0.065 | 0.110 |
| 120                      | 140   | 0.120                             | 0.160 | 0.160 | 0.200 | 0.200 | 0.260 | 0.060                         | 0.070 | 0.90           | 1.10 |                          | 0.055                                  | 0.080 | 0.130 |
| 140                      | 160   | 0.130                             | 0.180 | 0.180 | 0.230 | 0.230 | 0.300 | 0.065                         | 0.080 | 1.00           | 1.30 |                          | 0.060                                  | 0.100 | 0.150 |
| 160                      | 180   | 0.140                             | 0.200 | 0.200 | 0.260 | 0.260 | 0.340 | 0.070                         | 0.090 | 1.10           | 1.40 |                          | 0.070                                  | 0.110 | 0.170 |
| 180                      | 200   | 0.160                             | 0.220 | 0.220 | 0.290 | 0.290 | 0.370 | 0.080                         | 0.100 | 1.30           | 1.60 |                          | 0.070                                  | 0.110 | 0.190 |
| 200                      | 225   | 0.180                             | 0.250 | 0.250 | 0.320 | 0.320 | 0.410 | 0.090                         | 0.110 | 1.40           | 1.70 |                          | 0.080                                  | 0.130 | 0.210 |
| 225                      | 250   | 0.200                             | 0.270 | 0.270 | 0.350 | 0.350 | 0.450 | 0.100                         | 0.120 | 1.60           | 1.90 |                          | 0.090                                  | 0.140 | 0.230 |
| 250                      | 280   | 0.220                             | 0.300 | 0.300 | 0.390 | 0.390 | 0.490 | 0.110                         | 0.140 | 1.70           | 2.20 |                          | 0.100                                  | 0.150 | 0.250 |
| 280                      | 315   | 0.240                             | 0.330 | 0.330 | 0.430 | 0.430 | 0.540 | 0.120                         | 0.150 | 1.90           | 2.40 |                          | 0.110                                  | 0.160 | 0.280 |
| 315                      | 355   | 0.270                             | 0.360 | 0.360 | 0.470 | 0.470 | 0.590 | 0.140                         | 0.170 | 2.20           | 2.70 |                          | 0.120                                  | 0.180 | 0.300 |
| 355                      | 400   | 0.300                             | 0.400 | 0.400 | 0.520 | 0.520 | 0.650 | 0.150                         | 0.190 | 2.40           | 3.00 |                          | 0.130                                  | 0.200 | 0.330 |

Note: Dimensions in mm.



# Mounting of Self-Aligning Ball Bearings on an Adapter Sleeve

## Axial Drive-Up Method

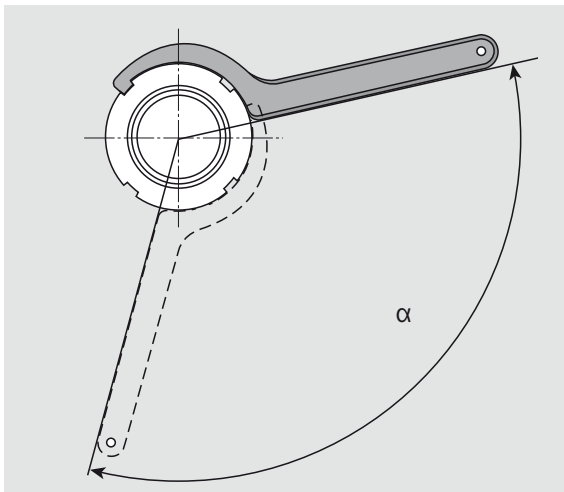
1. Before mounting, smear the thread and the side face of the nut with a molybdenum disulphide paste or similar lubricant.
2. Smear the shaft and outside diameter of sleeve with a light oil.
3. Open the sleeve slightly by inserting and twisting a screw driver into the slit in the sleeve and position the sleeve on the shaft.
4. Slide bearing, lockwasher and locknut onto sleeve and tighten nut with a 'C' spanner until all slackness is removed.
5. Measure distance from end tapered sleeve to the face of locknut or to the face of the inner ring and note the dimension.
6. From the chart note the required "axial drive up" and tighten the locknut until the bearing has moved the required distance up the taper of the sleeve indicated by the reduction or increase in the measured distance originally noted. If the original dimension was from the end of the tapered sleeve to the face of the locknut then the dimension will increase but if the measurement was from the end of the tapered sleeve to the face of the inner ring the dimension will be reduced.
7. A self-aligning ball bearing with normal clearance when adjusted correctly should rotate freely but should have some resistance to swivelling.
8. Align one tab on the lock washer with a slot in the locknut and bend it into the slot, if no tabs line up with the slots slightly tighten the locknut until one lines up. **Never back off the nut to line up the tab with the slot.**

# Mounting of Self-Aligning Ball Bearings on an Adapter Sleeve

## Tightening Angle Method

1. Before mounting, smear the thread and the side face of the nut with a molybdenum disulphide paste or similar lubricant.
2. Smear the shaft and outside diameter of sleeve with a light oil.
3. Open the sleeve slightly by inserting and twisting a screw driver into the slit in the sleeve and position the sleeve on the shaft.
4. Slide bearing, lockwasher and locknut onto sleeve and tighten nut with a 'C' spanner until all slackness is removed.
5. Tighten locknut through the required angle  $\alpha$ , taken from chart, and then reposition the 'C' spanner to 180° from its original position and give it a sharp tap with the hammer to straighten the bearing on its seating.
6. A self-aligning ball bearing with normal clearance when adjusted correctly should rotate freely but should have some resistance to swivelling.
7. Align one tab on the lock washer with a slot in the locknut and bend it into the slot, if no tabs line up with the slots slightly tighten the locknut until one lines up. **Never back off the nut to line up the tab with the slot.**

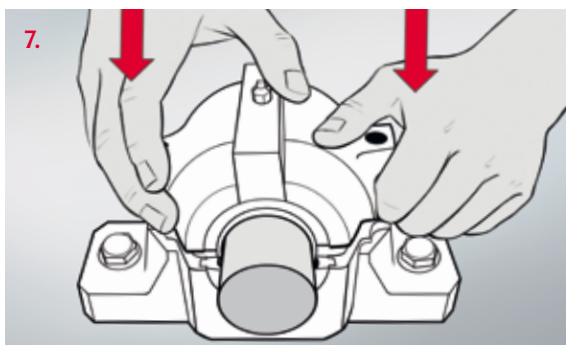
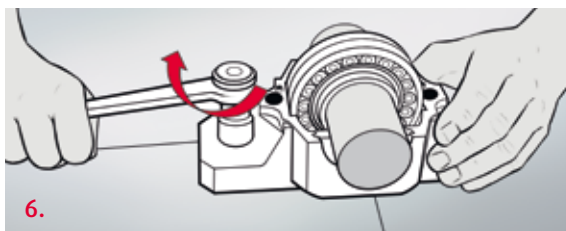
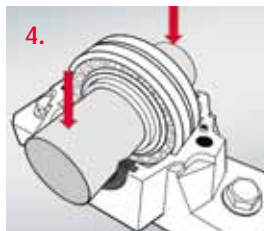
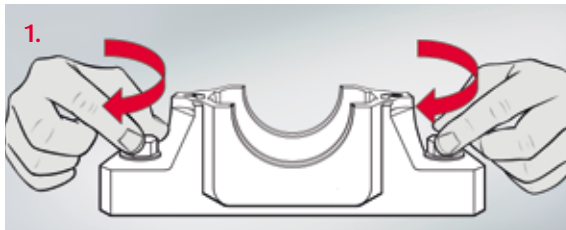
## Mounting of Double Row Self-Aligning Ball Bearings with 1:12 Tapered Bores on to Adapter Sleeves



| Bearing Bore Diameter mm |           | Tightening Angle (α) degrees | Approximate Axial Drive-Up mm |
|--------------------------|-----------|------------------------------|-------------------------------|
| over                     | inclusive |                              |                               |
| 24                       | 30        | 70                           | 0.22                          |
| 30                       | 40        | 70                           | 0.30                          |
| 40                       | 50        | 70                           | 0.30                          |
| 50                       | 65        | 90                           | 0.40                          |
| 65                       | 80        | 90                           | 0.45                          |
| 80                       | 100       | 90                           | 0.45                          |
| 100                      | 120       | 120                          | 0.55                          |
| 120                      | 140       | 120                          | 0.65                          |
| 140                      | 160       | 120                          | 0.75                          |

# Mounting of SNN Plummer Blocks

## using “G” Seals



1. Place the housing base in position and hand tighten the fixing bolts.
2. Fit the seal halves into the seal grooves, in the base (a) and top (b) of the housings. Fill the section between the 2 lips of the seal with grease.
3. Mount the bearing on shaft and charge with grease.
4. Place the shaft and bearing assembly in the lower half of the split housing.
5. (Without picture) Insert the locating ring on both sides of the bearing (for fixed end).
6. Check housings alignment is correct and tighten the fixing bolts.
7. Assemble the housing cap over the base and tighten the cap bolts (recommended max. torque on page 10).

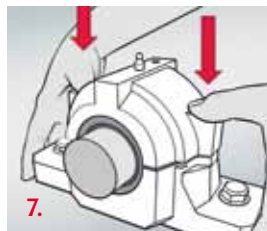
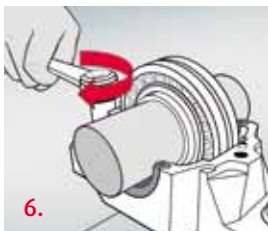
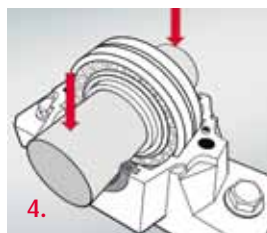
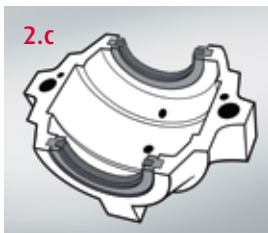
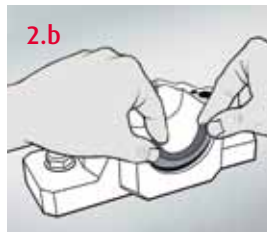
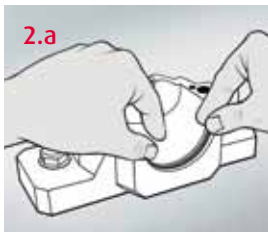
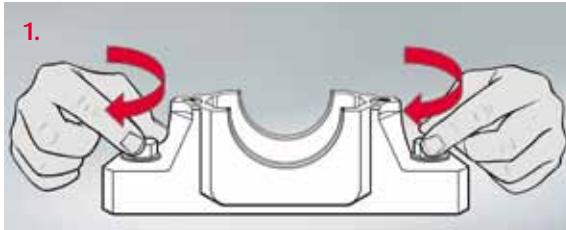
Before starting the plummer block installation, ensure that the environment is clean, and that the accuracies and tolerances of associated components are in accordance with the following recommendations:

Plummer block seating flatness:  
IT7 to IT8, Ra max. 12.5 µm

Shaft: h9 IT5 to h10 IT7

# Mounting of SNN Plummer Blocks

## using "C" Seals



1. Place the housing base in position and hand tighten the fixing bolts.
2. Fit the nitrile rings (a) into the grooves in the base and cap (c) of the housing, followed by the steel adapters (b), containing the oil soaked felt strips.
3. Mount the bearing on shaft (detailed information on bearing fitting from page 22 to 26) and charge with grease.
4. Place the shaft and bearing assembly in the lower half of the housing.
5. (Without picture) Insert locating rings on both sides of the bearing (fixed end only).
6. Check housing alignment is correct and tighten the fixing bolts (recommended max. torque on page 10).
7. Assemble the housing cap and tighten the cap bolts (recommended max. torque on page 10).

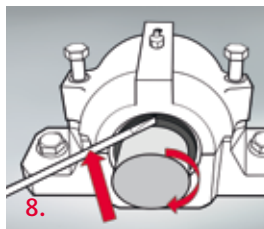
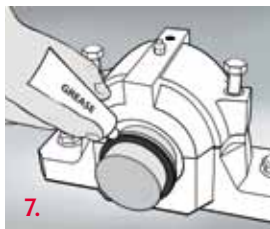
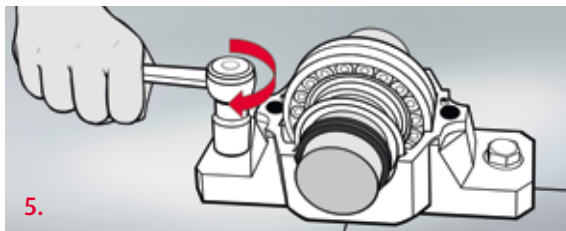
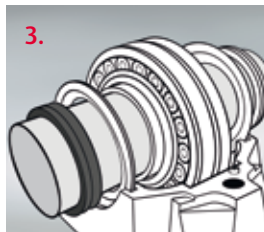
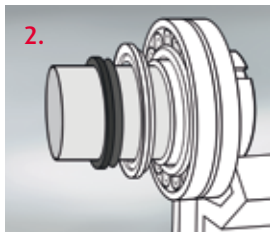
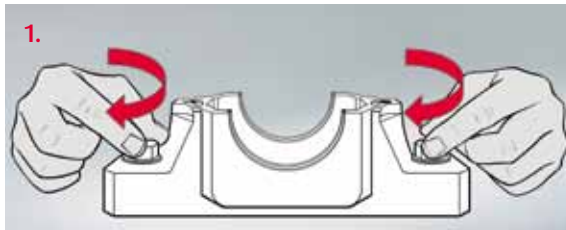
Before starting the plummer block installation, ensure that the environment is clean, and that the accuracies and tolerances of associated components are in accordance with the following recommendations:

Plummer block seating flatness:  
IT7 to IT8, Ra max. 12.5 µm

Shaft: h9 IT5 to h10 IT7

# Mounting of SNN Plummer Blocks

## using “V” Seals



1. Place the housing base in position and hand tighten the fixing bolts.
2. Mount the bearing on shaft (detailed information on bearing fitting from page 22 to 26) and charge with grease. Place counterface washers and v-ring on shaft (shaft end side).
3. Place the shaft and bearing assembly in the lower half of the housing, aligning the counterface washers into the grooves.
4. (Without picture) Insert locating rings on both sides of the bearing (fixed end only).
5. Check housing alignment is correct and tighten the fixing bolts (recommended max. torque on page 10).
6. Assemble the housing cap and tighten the cap bolts (recommended max. torque on page 10).
7. Smear the surface of the counterface washers with grease to reduce friction.
8. While rotating the shaft, push the v-rings along the shaft into position.

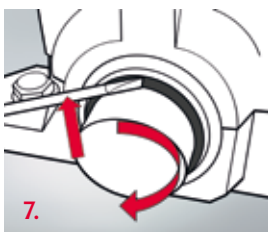
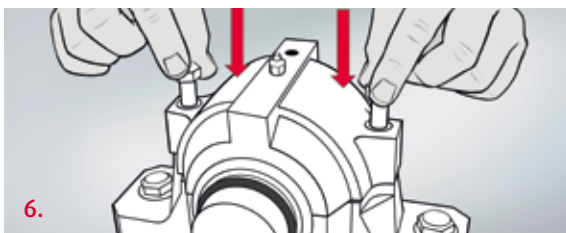
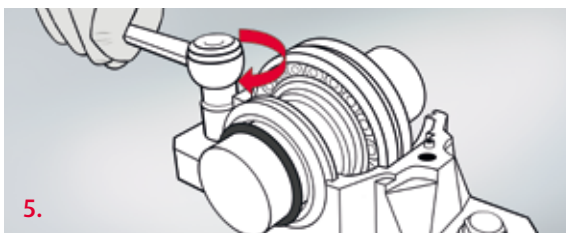
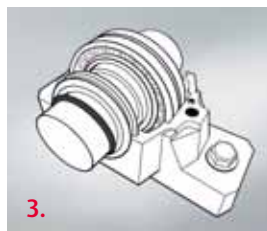
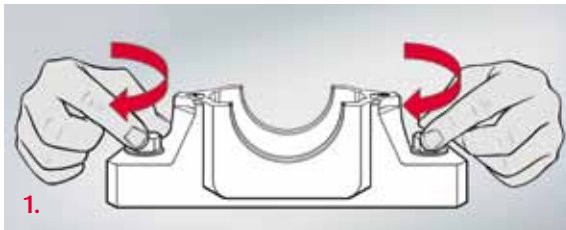
**Before starting the plummer block installation, ensure that the environment is clean, and that the accuracies and tolerances of associated components are in accordance with the following recommendations:**

**Plummer block seating flatness:**  
IT7 to IT8, Ra max. 12.5 µm

**Shaft: h9 IT5 to h10 IT7**

# Mounting of SNN Plummer Blocks

## using "TS-U" Seals



1. Place the housing base in position and hand tighten the fixing bolts.
2. Place the labyrinth on shaft (through shaft side). Mount the bearing on shaft (detailed information on bearing fitting from page 22 to 26) and charge with grease. Place the second labyrinth on shaft (shaft end side).
3. Place the shaft and bearing assembly in the lower half of the housing aligning the labyrinth into the grooves.
4. (Without picture) Insert the locating rings on both sides of the bearing (fixed end only).
5. Check housing alignment is correct and tighten the fixing bolts (recommended max. torque on page 10).
6. Assemble the housing cap and tighten the cap bolts (recommended max. torque on page 10).
7. While rotating the shaft, insert the o-rings into position.

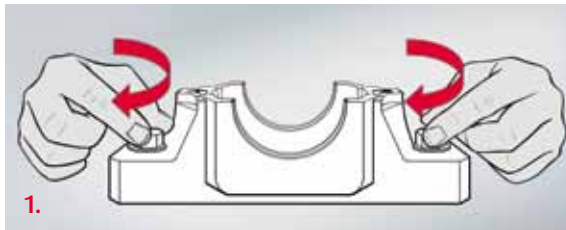
**Before starting the plummer block installation, ensure that the environment is clean, and that the accuracies and tolerances of associated components are in accordance with the following recommendations:**

**Plummer block seating flatness:  
IT7 to IT8, Ra max. 12.5 µm**

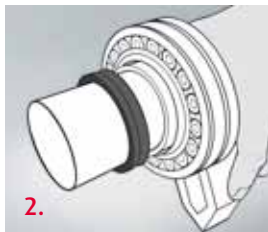
**Shaft: h9 IT5 to h10 IT7**

# Mounting of SNN Plummer Blocks

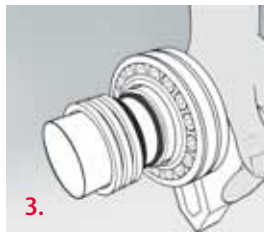
## using "TACK" Seals



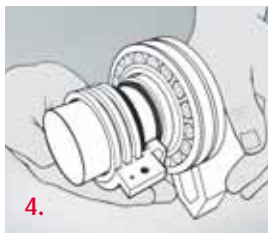
1.



2.



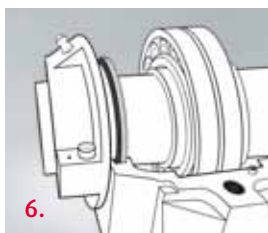
3.



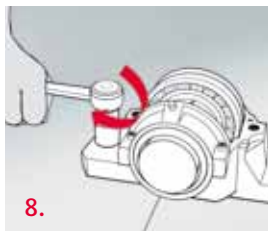
4.



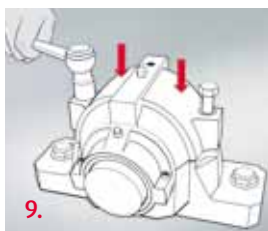
5.



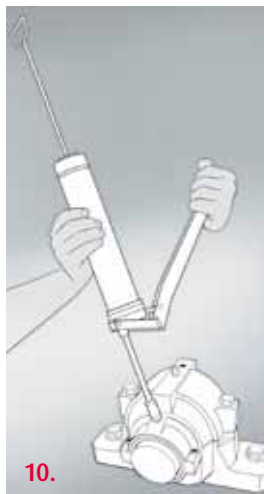
6.



8.



9.



10.

1. Place the housing base in position and hand tighten the fixing bolts.
2. Mount the v-ring (lip towards bearing) and labyrinth on shaft (through shaft side). Mount the split ring, covering the labyrinth and the v-ring. Tighten the split ring and insert the o-ring, fixing the labyrinth in position.
3. Mount the bearing on shaft (detailed information on bearing fitting from page 22 to 26) and charge with grease.
4. Fit the second seal on the shaft (shaft end side).
5. Mount the o-rings on each seal outer diameter.
6. Place the shaft and bearing assembly in the lower half of the housing, positioning the labyrinth in the grooves.
7. (Without picture) Insert locating rings on both sides of the bearing (fixed end only).
8. Check housing alignment is correct and tighten the fixing bolts (recommended max. torque on page 10).
9. Place the housing cap and tighten the cap bolts (recommended max. torque on page 10).
10. Before starting the machine, grease the seals while rotating the shaft until a small amount of grease oozes from the labyrinth rings.

**Before starting the plummer block installation, ensure that the environment is clean, and that the accuracies and tolerances of associated components are in accordance with the following recommendations:**

**Plummer block seating flatness:**  
IT7 to IT8, Ra max. 12.5 µm  
**Shaft: h9 IT5 to h10 IT7**

---

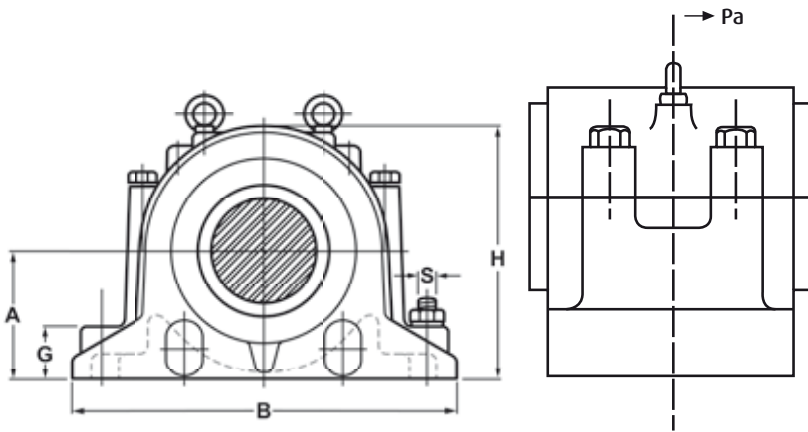
# Plummer Blocks SD 3100 Series

## Bolt Size and Breaking Loads





Plummer blocks of series SD3100 are used with large spherical roller bearings of series 23100 with tapered bore on adapter sleeves.



**Material:** Cast Iron Grade 200  
**Colour:** Dark Blue 533C  
**Cap bolts grade:** 8.8 (size: see table below)

Supplied with 1 straight grease nipple

**Tolerance of bearing seating:** H7  
**Draining hole:** 1/4PT

### SD 3100 Bolt Size

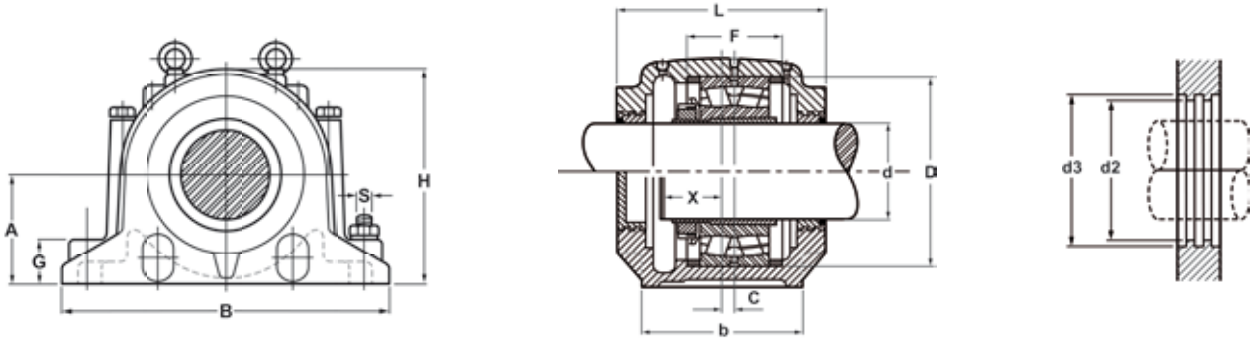
| Housing      | Bolt Size      |
|--------------|----------------|
| SD3134TS/TAC | M20*2.5P*140LG |
| SD3136TS/TAC | M24*3.0P*140LG |
| SD3138TS/TAC | M24*3.0P*140LG |
| SD3140TS/TAC | M24*3.0P*170LG |
| SD3144TS/TAC | M24*3.0P*170LG |
| SD3148TS/TAC | M30*3.5P*200LG |
| SD3152TS/TAC | M30*3.5P*200LG |
| SD3156TS/TAC | M30*3.5P*210LG |
| SD3160TS/TAC | M30*3.5P*220LG |
| SD3164TS/TAC | M30*3.5P*220LG |
| SD3168TS/TAC | M36*4.0P*260LG |
| SD3172TS/TAC | M36*4.0P*280LG |
| SD3176TS/TAC | M36*4.0P*280LG |
| SD3180TS/TAC | M36*4.0P*310LG |

### Breaking Loads of SD Housings

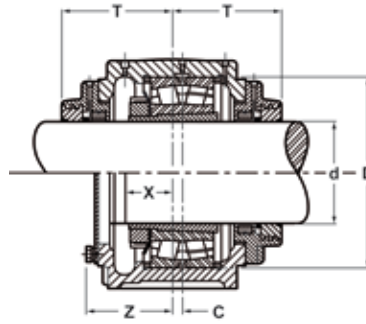
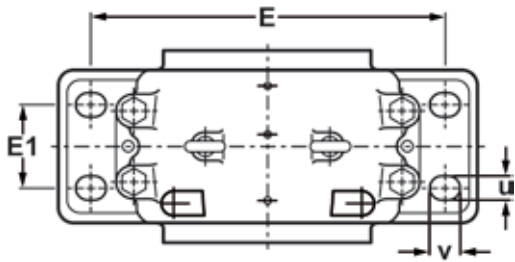
| Housing No. | Breaking Load (kN) |      |       |       |       | Max. Load of Cap Bolts (kN) |
|-------------|--------------------|------|-------|-------|-------|-----------------------------|
|             | P55°               | P90° | P120° | P150° | P180° | P180°                       |
| SD 3134     | 2273               | 1016 | 762   | 747   | 846   | 380                         |
| SD 3136     | 2540               | 1150 | 850   | 835   | 946   | 380                         |
| SD 3138     | 2941               | 1300 | 1020  | 966   | 1095  | 380                         |
| SD 3140     | 3476               | 1600 | 1165  | 1143  | 1296  | 380                         |
| SD 3144     | 4280               | 1900 | 1435  | 1407  | 1594  | 380                         |
| SD 3148     | 4548               | 2000 | 1524  | 1495  | 1694  | 620                         |
| SD 3152     | 5083               | 2300 | 1703  | 1670  | 1893  | 620                         |
| SD 3156     | 5350               | 2400 | 1810  | 1760  | 1993  | 620                         |
| SD 3160     | 6420               | 2900 | 2215  | 2110  | 2390  | 620                         |
| SD 3164     | 7490               | 3400 | 2525  | 2400  | 2790  | 620                         |
| SD 3168     | 9320               | 4200 | 3260  | 3050  | 3490  | 800                         |
| SD 3172     | 9750               | 4400 | 3370  | 3200  | 3690  | 800                         |
| SD 3176     | 10230              | 4550 | 3500  | 3320  | 3710  | 800                         |
| SD 3180     | 10720              | 4800 | 3770  | 3560  | 4000  | 800                         |

Reference values only

# Plummer Blocks SD 3100 Series



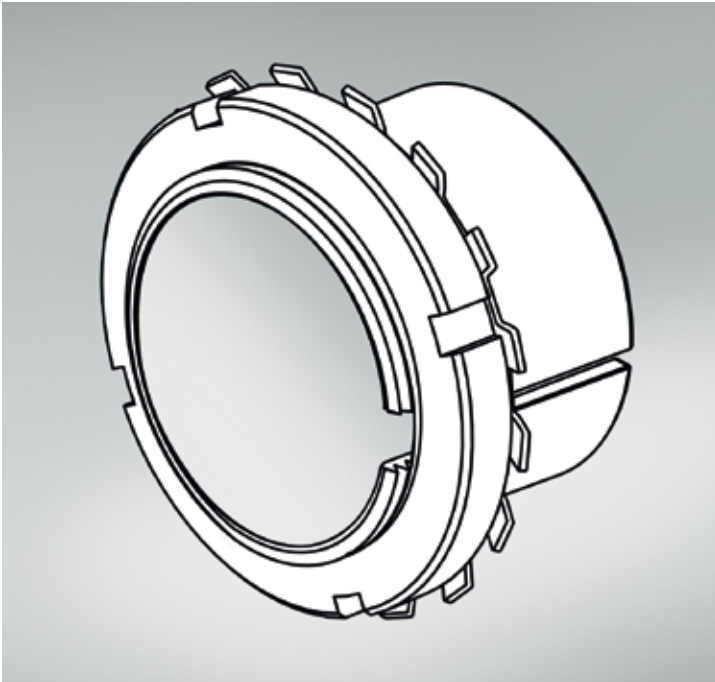
| Housing | Shaft Diameter (d) |       | Dimensions mm |          |          |     |      |     |      |     |     |     |     |    |     |     |     |     |    |    |
|---------|--------------------|-------|---------------|----------|----------|-----|------|-----|------|-----|-----|-----|-----|----|-----|-----|-----|-----|----|----|
|         | Metric             | Inch  | D             | d2 (H12) | d3 (H12) | A   | B    | F   | E    | b   | G   | H   | L   | C  | E1  | X   | T   | Z   | U  | V  |
| SD3134  | 150                | 6     | 280           | 187      | 197      | 170 | 510  | 108 | 430  | 180 | 70  | 335 | 230 | 14 | 100 | 76  | 154 | 120 | 28 | 35 |
| SD3136  | 160                | 6.1/2 | 300           | 195      | 205      | 180 | 530  | 116 | 450  | 190 | 75  | 355 | 240 | 15 | 110 | 81  | 159 | 130 | 30 | 38 |
| SD3138  | 170                | 6.3/4 | 320           | 217      | 230      | 190 | 560  | 124 | 480  | 210 | 80  | 375 | 260 | 10 | 120 | 86  | 168 | 140 | 35 | 48 |
| SD3140  | 180                | 7     | 340           | 222      | 237      | 210 | 610  | 132 | 510  | 230 | 85  | 410 | 280 | 10 | 130 | 91  | 178 | 150 | 35 | 42 |
| SD3144  | 200                | 8     | 370           | 246      | 265      | 220 | 640  | 140 | 540  | 240 | 90  | 435 | 290 | 12 | 140 | 96  | 184 | 155 | 36 | 46 |
| SD3148  | 220                | 9     | 400           | 265      | 285      | 240 | 700  | 148 | 600  | 260 | 95  | 475 | 310 | 12 | 150 | 102 | 194 | 160 | 38 | 46 |
| SD3152  | 240                | 9.1/2 | 440           | 285      | 305      | 260 | 770  | 164 | 650  | 280 | 100 | 515 | 320 | 13 | 160 | 112 | 200 | 170 | 45 | 60 |
| SD3156  | 260                | 10    | 460           | 307      | 327      | 280 | 790  | 166 | 670  | 280 | 105 | 550 | 330 | 16 | 160 | 115 | 200 | 170 | 45 | 60 |
| SD3160  | 280                | 11    | 500           | 325      | 345      | 300 | 830  | 180 | 710  | 310 | 110 | 590 | 350 | 22 | 190 | 124 | 213 | 190 | 45 | 64 |
| SD3164  | 300                |       | 540           | 345      | 365      | 320 | 880  | 196 | 750  | 330 | 115 | 630 | 370 | 23 | 200 | 135 | 224 | 200 | 45 | 72 |
| SD3168  | 320                |       | 580           | 368      | 390      | 340 | 965  | 210 | 840  | 380 | 120 | 670 | 390 | 25 | 240 | 155 | 244 | 220 | 52 | 70 |
| SD3172  | 340                |       | 600           | 388      | 408      | 360 | 1040 | 212 | 890  | 390 | 130 | 720 | 400 | 22 | 255 | 159 | 249 | 225 | 60 | 77 |
| SD3176  | 360                |       | 620           | 408      | 428      | 380 | 1120 | 214 | 980  | 400 | 135 | 750 | 405 | 22 | 255 | 162 | 260 | 240 | 68 | 88 |
| SD3180  | 380                |       | 650           | 428      | 448      | 400 | 1245 | 220 | 1050 | 420 | 140 | 790 | 425 | 22 | 270 | 167 | 276 | 260 | 75 | 96 |



|  | Bolt Diameter | Spherical Roller Bearing | Adapter Sleeve |        | Weight | Locating Ring | Housing | Labyrinth Seal | End Cover |
|--|---------------|--------------------------|----------------|--------|--------|---------------|---------|----------------|-----------|
|  | S             |                          | Metric         | Inch   |        | Dim.          |         |                |           |
|  | M24           | 23134K                   | H3134          | HE3134 | 66     | 280x10        | SD3134  | TS34           | TSA34     |
|  | M24           | 23136K                   | H3136          | HE3136 | 75     | 300x10        | SD3136  | TS36           | TSA36     |
|  | M24           | 23138K                   | H3138          | HE3138 | 87     | 320x10        | SD3138  | TS38           | TSA38     |
|  | M30           | 23140K                   | H3140          | HE3140 | 113    | 340x10        | SD3140  | TS40           | TSA40     |
|  | M30           | 23144K                   | H3144          |        | 129    | 370x10        | SD3144  | TS44           | TSA44     |
|  | M30           | 23148K                   | H3148          |        | 163    | 400x10        | SD3148  | TS48           | TSA48     |
|  | M36           | 23152K                   | H3152          |        | 199    | 440x10        | SD3152  | TS52           | TSA52     |
|  | M36           | 23156K                   | H3156          |        | 226    | 460x10        | SD3156  | TS56           | TSA56     |
|  | M36           | 23160K                   | H3160          |        | 283    | 500x10        | SD3160  | TS60           | TSA60     |
|  | M36           | 23164K                   | H3164          |        | 346    | 540x10        | SD3164  | TS64           | TSA64     |
|  | M36           | 23168K                   | H3168          |        | 514    | 580x10        | SD3168  | TS68           | TSA68     |
|  | M48           | 23172K                   | H3172          |        | 594    | 600x10        | SD3172  | TS72           | TSA72     |
|  | M56           | 23176K                   | H3176          |        | 702    | 620x10        | SD3176  | TS76           | TSA76     |
|  | M64           | 23180K                   | H3180          |        | 740    | 650x10        | SD3180  | TS80           | TSA80     |

# Plummer Blocks SNN and SD 3100 Series

## Accessories



### Accessories

Accessories which are used in the two ranges of plummer blocks are listed in this section. For other sizes or types, please refer to our catalogue E 1102.

### Adapter Sleeves

**Material:** mild steel

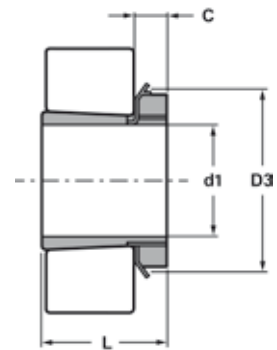
**Nuts:** mild steel

**Washers:** mild steel

**Locating Rings:** aluminium

# Plummer Blocks SNN and SD 3100 Series

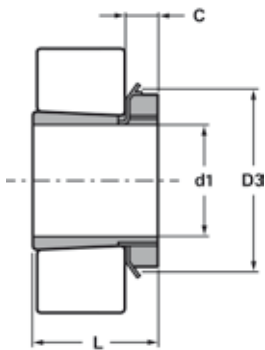
## Adapter Sleeves



| Adapter Sleeve | d1  |       |       |         | L  | D3  | C  | Weight | Lock Nut    |             | Washer      |             |
|----------------|-----|-------|-------|---------|----|-----|----|--------|-------------|-------------|-------------|-------------|
|                | H   | HE    | HS    | HA      |    |     |    |        | NSK         | RHP         | NSK         | RHP         |
|                | mm  | Inch  | Inch  | Inch    |    |     |    |        | Part Number | Part Number | Part Number | Part Number |
| H205           | 20  | 3/4   | 7/8   |         | 26 | 38  | 8  | 0.070  | AN05        | KM05        | AW05X       | MB05        |
| H206           | 25  | 1     | 7/8   |         | 27 | 45  | 8  | 0.099  | AN06        | KM06        | AW06X       | MB06        |
| H207           | 30  |       | 1.1/8 | 1.3/16  | 29 | 52  | 9  | 0.125  | AN07        | KM07        | AW07X       | MB07        |
| H208           | 35  | 1.3/4 | 1.3/8 | 1.5/16  | 31 | 58  | 10 | 0.174  | AN08        | KM08        | AW08X       | MB08        |
| H209           | 40  | 1.1/2 | 1.5/8 | 1.7/16  | 33 | 65  | 11 | 0.227  | AN09        | KM09        | AW09X       | MB09        |
| H210           | 45  | 1.3/4 | 1.5/8 | 1.11/16 | 35 | 70  | 12 | 0.274  | AN10        | KM10        | AW10X       | MB10        |
| H211           | 50  | 2     | 1.7/8 | 1.15/16 | 37 | 75  | 12 | 0.308  | AN11        | KM11        | AW11X       | MB11        |
| H212           | 55  |       | 2.1/8 |         | 38 | 80  | 13 | 0.346  | AN12        | KM12        | AW12X       | MB12        |
| H213           | 60  | 2.1/4 | 2.3/8 | 2.3/16  | 40 | 85  | 14 | 0.401  | AN13        | KM13        | AW13X       | MB13        |
| H215           | 65  | 2.1/2 |       | 2.7/16  | 43 | 98  | 15 | 0.707  | AN15        | KM15        | AW15X       | MB15        |
| H216           | 70  | 2.3/4 |       | 2.11/16 | 46 | 105 | 17 | 0.882  | AN16        | KM16        | AW16X       | MB16        |
| H217           | 75  | 3     |       | 2.15/16 | 50 | 110 | 18 | 1.020  | AN17        | KM17        | AW17X       | MB17        |
| H218           | 80  |       |       | 3.3/16  | 52 | 120 | 18 | 1.190  | AN18        | KM18        | AW18X       | MB18        |
| H219           | 85  | 3.1/4 |       |         | 55 | 125 | 19 | 1.370  | AN19        | KM19        | AW19X       | MB19        |
| H220           | 90  | 3.1/2 |       | 3.7/16  | 58 | 130 | 20 | 1.490  | AN20        | KM20        | AW20X       | MB20        |
| H222           | 100 | 4     |       | 3.15/16 | 63 | 145 | 21 | 1.930  | AN22        | KM22        | AW22X       | MB22        |
| H305           | 20  | 3/4   | 7/8   |         | 29 | 38  | 8  | 0.075  | AN05        | KM05        | AW05X       | MB05        |
| H306           | 25  | 1     | 7/8   |         | 31 | 45  | 8  | 0.109  | AN06        | KM06        | AW06X       | MB06        |
| H307           | 30  |       | 1.1/8 | 1.3/16  | 35 | 52  | 9  | 0.142  | AN07        | KM07        | AW07X       | MB07        |
| H308           | 35  | 1.3/4 | 1.3/8 | 1.5/16  | 36 | 58  | 10 | 0.189  | AN08        | KM08        | AW08X       | MB08        |
| H309           | 40  | 1.1/2 | 1.5/8 | 1.7/16  | 39 | 65  | 11 | 0.248  | AN09        | KM09        | AW09X       | MB09        |
| H310           | 45  | 1.3/4 | 1.5/8 | 1.11/16 | 42 | 70  | 12 | 0.303  | AN10        | KM10        | AW10X       | MB10        |
| H311           | 50  | 2     | 1.7/8 | 1.15/16 | 45 | 75  | 12 | 0.345  | AN11        | KM11        | AW11X       | MB11        |
| H312           | 55  |       | 2.1/8 |         | 47 | 80  | 13 | 0.394  | AN12        | KM12        | AW12X       | MB12        |
| H313           | 60  | 2.1/4 | 2.3/8 | 2.3/16  | 50 | 85  | 14 | 0.458  | AN13        | KM13        | AW13X       | MB13        |
| H315           | 65  | 2.1/2 |       | 2.7/16  | 55 | 98  | 15 | 0.831  | AN15        | KM15        | AW15X       | MB15        |
| H316           | 70  | 2.3/4 |       | 2.11/16 | 59 | 105 | 17 | 1.030  | AN16        | KM16        | AW16X       | MB16        |
| H317           | 75  | 3     |       | 2.15/16 | 63 | 110 | 18 | 1.180  | AN17        | KM17        | AW17X       | MB17        |
| H318           | 80  |       |       | 3.3/16  | 65 | 120 | 18 | 1.370  | AN18        | KM18        | AW18X       | MB18        |
| H319           | 85  | 3.1/4 |       |         | 68 | 125 | 19 | 1.560  | AN19        | KM19        | AW19X       | MB19        |
| H320           | 90  | 3.1/2 |       | 3.7/16  | 71 | 130 | 20 | 1.690  | AN20        | KM20        | AW20X       | MB20        |
| H322           | 100 | 4     |       | 3.15/16 | 77 | 145 | 21 | 2.180  | AN22        | KM22        | AW22X       | MB22        |

# Plummer Blocks SNN and SD 3100 Series

## Adapter Sleeves

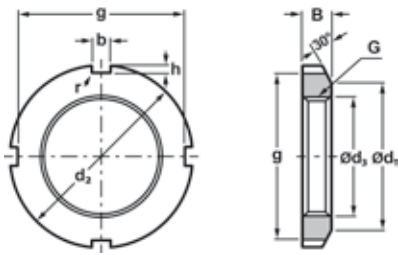


| Adapter Sleeve | d1  |       |       |         | L   | D3  | C  | Weight | Lock Nut |        | Washer |        |
|----------------|-----|-------|-------|---------|-----|-----|----|--------|----------|--------|--------|--------|
|                | H   | HE    | HS    | HA      |     |     |    |        | NSK      | RHP    | NSK    | RHP    |
|                | mm  | Inch  | Inch  | Inch    |     |     |    |        | mm       | mm     | mm     | kg     |
| H2305          | 20  | 3/4   |       |         | 35  | 38  | 8  | 0.087  | AN05     | KM05   | AW05X  | MB05   |
| H2306          | 25  | 1     |       |         | 38  | 45  | 8  | 0.126  | AN06     | KM06   | AW06X  | MB06   |
| H2307          | 30  |       |       |         | 43  | 52  | 9  | 0.165  | AN07     | KM07   | AW07X  | MB07   |
| H2308          | 35  | 1.1/4 | 1.3/8 |         | 46  | 58  | 10 | 0.224  | AN08     | KM08   | AW08X  | MB08   |
| H2309          | 40  | 1.1/2 |       | 1.7/16  | 50  | 65  | 11 | 0.280  | AN09     | KM09   | AW09X  | MB09   |
| H2310          | 45  | 1.3/4 | 1.5/8 | 1.11/16 | 55  | 70  | 12 | 0.362  | AN10     | KM10   | AW10X  | MB10   |
| H2311          | 50  | 2     | 1.7/8 | 1.15/16 | 59  | 75  | 12 | 0.420  | AN11     | KM11   | AW11X  | MB11   |
| H2312          | 55  |       | 2.1/8 |         | 62  | 80  | 13 | 0.481  | AN12     | KM12   | AW12X  | MB12   |
| H2313          | 60  | 2.1/4 | 2.3/8 | 2.3/16  | 65  | 85  | 14 | 0.557  | AN13     | KM13   | AW13X  | MB13   |
| H2315          | 65  | 2.1/2 |       | 2.7/16  | 73  | 98  | 15 | 1.050  | AN15     | KM15   | AW15X  | MB15   |
| H2316          | 70  | 2.3/4 |       | 2.11/16 | 78  | 105 | 17 | 1.280  | AN16     | KM16   | AW16X  | MB16   |
| H2317          | 75  | 3     |       | 2.15/16 | 82  | 110 | 18 | 1.450  | AN17     | KM17   | AW17X  | MB17   |
| H2318          | 80  |       |       | 3.3/16  | 86  | 120 | 18 | 1.690  | AN18     | KM18   | AW18X  | MB18   |
| H2319          | 85  | 3.1/4 |       |         | 90  | 125 | 19 | 1.920  | AN19     | KM19   | AW19X  | MB19   |
| H2320          | 90  | 3.1/2 |       | 3.7/16  | 97  | 130 | 20 | 2.150  | AN20     | KM20   | AW20X  | MB20   |
| H2322          | 100 | 4     |       | 3.15/16 | 105 | 145 | 21 | 2.740  | AN22     | KM22   | AW22X  | MB22   |
| H2326          | 115 | 4.1/2 |       | 4.7/16  | 121 | 165 | 23 | 4.600  | AN26     | KM26   | AW26X  | MB26   |
| H2328          | 125 | 5     |       | 4.15/16 | 131 | 180 | 24 | 5.550  | AN28     | KM28   | AW28X  | MB28   |
| H2330          | 135 | 5.1/4 |       | 5.3/16  | 139 | 195 | 26 | 6.630  | AN30     | KM30   | AW30X  | MB30   |
| H2332          | 140 | 5.1/2 |       | 5.7/16  | 147 | 210 | 28 | 9.140  | AN32     | KM32   | AW32X  | MB32   |
| H3134          | 150 | 6     |       | 5.15/16 | 122 | 220 | 29 | 8.380  | AN34     | KM34   | AW34X  | MB34   |
| H3136          | 160 | 6.1/2 |       | 6.7/16  | 131 | 230 | 30 | 9.500  | AN36     | KM36   | AW36X  | MB36   |
| H3138          | 170 | 6.3/4 |       | 6.15/16 | 141 | 240 | 31 | 10.800 | AN38     | KM38   | AW38X  | MB38   |
| H3140          | 180 | 7     |       | 7.3/16  | 150 | 250 | 32 | 12.100 | AN40     | KM40   | AW40X  | MB40   |
| H3144          | 200 |       |       | 7.15/16 | 161 | 280 | 35 | 14.700 | AN44     | HM44T  | AL44   | MB44   |
| H3148          | 220 |       |       |         | 172 | 300 | 37 | 17.300 | AN48     | HM48T  | AL48   | MB48   |
| H3152          | 240 |       |       |         | 190 | 330 | 39 | 22.000 | AN52     | HMS2T  | AL52   | MB52   |
| H3156          | 260 |       |       |         | 195 | 350 | 41 | 24.500 | AN56     | HMS6T  | AL56   | MB56   |
| H3160          | 280 |       |       |         | 208 | 380 | 40 | 30.200 | AN60     | HM3160 | AL60   | MS3160 |
| H3164          | 300 |       |       |         | 226 | 400 | 42 | 34.900 | AN64     | HM3164 | AL64   | MS3164 |
| H3168          | 320 |       |       |         | 254 | 440 | 55 | 49.500 | AN68     | HM3168 | AL68   | MS3168 |
| H3172          | 340 |       |       |         | 259 | 460 | 58 | 54.200 | AN72     | HM3172 | AL72   | MS3172 |
| H3176          | 360 |       |       |         | 264 | 490 | 60 | 61.700 | AN76     | HM3176 | AL76   | MS3176 |
| H3180          | 380 |       |       |         | 272 | 520 | 62 | 70.600 | AN80     | HM3180 | AL80   | MS3180 |

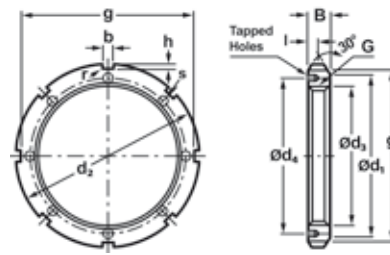
# Plummer Blocks SNN and SD 3100 Series

## Lock Nuts

Nut with Washer from AN05/KM05 to AN40/KM40



Nut with Stopper from AN44/HM44T



| Lock Nuts          |                    | d2<br>mm | d1<br>mm | g<br>mm | d3<br>mm | Thread<br>G | B<br>mm | b<br>mm | h<br>mm | l  | Tapped Holes<br>Screw Threads | D5  | Weight<br>kg | Washer             |                    |
|--------------------|--------------------|----------|----------|---------|----------|-------------|---------|---------|---------|----|-------------------------------|-----|--------------|--------------------|--------------------|
| NSK<br>Part Number | RHP<br>Part Number |          |          |         |          |             |         |         |         |    |                               |     |              | NSK<br>Part Number | RHP<br>Part Number |
| AN05               | KM05               | 38       | 32       | 34      | 25.8     | M25x1.5     | 7       | 5       | 2.0     |    |                               |     | 0.025        | AW05X              | MB05               |
| AN06               | KM06               | 45       | 38       | 41      | 30.8     | M30x1.5     | 7       | 5       | 2.0     |    |                               |     | 0.043        | AW06X              | MB06               |
| AN07               | KM07               | 52       | 44       | 48      | 35.8     | M35x1.5     | 8       | 5       | 2.0     |    |                               |     | 0.053        | AW07X              | MB07               |
| AN08               | KM08               | 58       | 50       | 53      | 40.8     | M40x1.5     | 9       | 6       | 2.5     |    |                               |     | 0.085        | AW08X              | MB08               |
| AN09               | KM09               | 65       | 56       | 60      | 45.8     | M45x1.5     | 10      | 6       | 2.5     |    |                               |     | 0.119        | AW09X              | MB09               |
| AN10               | KM10               | 70       | 61       | 65      | 50.8     | M50x1.5     | 11      | 6       | 2.5     |    |                               |     | 0.148        | AW10X              | MB10               |
| AN11               | KM11               | 75       | 67       | 69      | 56.0     | M55x2       | 11      | 7       | 3.0     |    |                               |     | 0.158        | AW11X              | MB11               |
| AN12               | KM12               | 80       | 73       | 74      | 61.0     | M60x2       | 11      | 7       | 3.0     |    |                               |     | 0.174        | AW12X              | MB12               |
| AN13               | KM13               | 85       | 79       | 79      | 66.0     | M65x2       | 12      | 7       | 3.0     |    |                               |     | 0.203        | AW13X              | MB13               |
| AN15               | KM15               | 98       | 90       | 91      | 76.0     | M75x2       | 13      | 8       | 3.5     |    |                               |     | 0.287        | AW15X              | MB15               |
| AN16               | KM16               | 105      | 95       | 98      | 81.0     | M80x2       | 15      | 8       | 3.5     |    |                               |     | 0.397        | AW16X              | MB16               |
| AN17               | KM17               | 110      | 102      | 103     | 86.0     | M85x2       | 16      | 8       | 3.5     |    |                               |     | 0.451        | AW17X              | MB17               |
| AN18               | KM18               | 120      | 108      | 112     | 91.0     | M90x2       | 16      | 10      | 4.0     |    |                               |     | 0.556        | AW18X              | MB18               |
| AN19               | KM19               | 125      | 113      | 117     | 96.0     | M95x2       | 17      | 10      | 4.0     |    |                               |     | 0.658        | AW19X              | MB19               |
| AN20               | KM20               | 130      | 120      | 122     | 101.0    | M100x2      | 18      | 10      | 4.0     |    |                               |     | 0.698        | AW20X              | MB20               |
| AN22               | KM22               | 145      | 133      | 135     | 111.0    | M110x2      | 19      | 12      | 5.0     |    |                               |     | 0.965        | AW22X              | MB22               |
| AN24               | KM24               | 155      | 138      | 145     | 121.0    | M120x2      | 20      | 12      | 5.0     |    |                               |     | 1.080        | AW24X              | MB24               |
| AN26               | KM26               | 165      | 149      | 155     | 131.0    | M130x2      | 21      | 12      | 5.0     |    |                               |     | 1.250        | AW26X              | MB26               |
| AN28               | KM28               | 180      | 160      | 168     | 141.0    | M140x2      | 22      | 14      | 6.0     |    |                               |     | 1.560        | AW28X              | MB28               |
| AN30               | KM30               | 195      | 171      | 183     | 151.0    | M150x2      | 24      | 14      | 6.0     |    |                               |     | 2.030        | AW30X              | MB30               |
| AN32               | KM32               | 210      | 182      | 196     | 161.5    | M160x3      | 25      | 16      | 7.0     |    |                               |     | 2.590        | AW32X              | MB32               |
| AN34               | KM34               | 220      | 193      | 206     | 171.5    | M170x3      | 26      | 16      | 7.0     |    |                               |     | 2.800        | AW34X              | MB34               |
| AN36               | KM36               | 230      | 203      | 214     | 181.5    | M180x3      | 27      | 18      | 8.0     |    |                               |     | 3.070        | AW36X              | MB36               |
| AN38               | KM38               | 240      | 214      | 224     | 191.5    | M190x3      | 28      | 18      | 8.0     |    |                               |     | 3.390        | AW38X              | MB38               |
| AN40               | KM40               | 250      | 226      | 234     | 201.5    | M200x3      | 29      | 18      | 8.0     |    |                               |     | 3.690        | AW40X              | MB40               |
| AN44               | HM44T              | 280      | 250      | 260     | 222.0    | M220x4      | 32      | 20      | 10.0    | 15 | M8x1.25                       | 238 | 5.200        | AL44               | MB44               |
| AN48               | HM48T              | 300      | 270      | 280     | 242.0    | M240x4      | 34      | 20      | 10.0    | 15 | M8x1.25                       | 258 | 5.950        | AL48               | MB48               |
| AN52               | HM52T              | 330      | 300      | 306     | 262.0    | M260x4      | 36      | 24      | 12.0    | 18 | M10x1.5                       | 281 | 8.050        | AL52               | MB52               |
| AN56               | HM56T              | 350      | 320      | 326     | 282.0    | M280x4      | 38      | 24      | 12.0    | 18 | M10x1.5                       | 301 | 9.050        | AL56               | MB56               |
| AN60               | HM3160             | 380      | 340      | 356     | 302.0    | M300x4      | 40      | 24      | 12.0    | 18 | M10x1.5                       | 326 | 11.800       | AL60               | MS3160             |
| AN64               | HM3164             | 400      | 360      | 376     | 322.5    | M320x5      | 42      | 24      | 12.0    | 18 | M10x1.5                       | 345 | 13.100       | AL64               | MS3164             |
| AN68               | HM3168             | 440      | 400      | 410     | 342.5    | M340x5      | 55      | 28      | 15.0    | 21 | M12x1.75                      | 372 | 23.100       | AL68               | MS3168             |
| AN72               | HM3172             | 460      | 420      | 430     | 362.5    | M360x5      | 58      | 28      | 15.0    | 21 | M12x1.75                      | 392 | 25.100       | AL72               | MS3172             |
| AN76               | HM3176             | 490      | 450      | 454     | 382.5    | M380x5      | 60      | 32      | 18.0    | 21 | M12x1.75                      | 414 | 31.000       | AL76               | MS3176             |
| AN80               | HM3180             | 520      | 470      | 484     | 402.5    | M400x5      | 62      | 32      | 18.0    | 27 | M16x2                         | 439 | 37.000       | AL80               | MS3180             |

# Plummer Blocks SNN and SD 3100 Series

## Washer

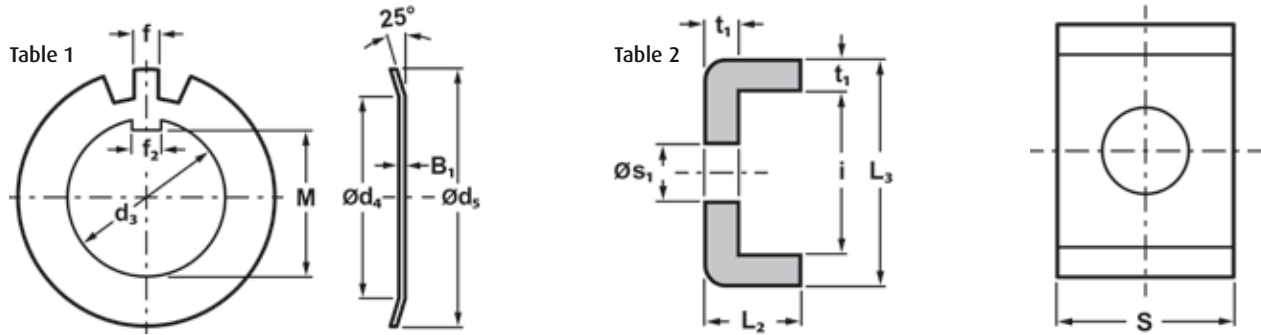


Table 1

| Washer      |             | d3  | M     | f1 | B1  | f  | d4  | d5  | Number of Teeth | Mass kg (100 Pcs) approx. | Lock Nuts   |             |
|-------------|-------------|-----|-------|----|-----|----|-----|-----|-----------------|---------------------------|-------------|-------------|
| NSK         | RHP         |     |       |    |     |    |     |     |                 |                           | NSK         | RHP         |
| Part Number | Part Number | mm  | mm    | mm | mm  | mm | mm  | mm  |                 |                           | Part Number | Part Number |
| AW05X       | MB05        | 25  | 23.0  | 5  | 1.2 | 5  | 32  | 42  | 13              | 0.64                      | AN05        | KM05        |
| AW06X       | MB06        | 30  | 27.5  | 5  | 1.2 | 5  | 38  | 49  | 13              | 0.78                      | AN06        | KM06        |
| AW07X       | MB07        | 35  | 32.5  | 6  | 1.2 | 5  | 44  | 57  | 15              | 1.04                      | AN07        | KM07        |
| AW08X       | MB08        | 40  | 37.5  | 6  | 1.2 | 6  | 50  | 62  | 15              | 1.23                      | AN08        | KM08        |
| AW09X       | MB09        | 45  | 42.5  | 6  | 1.2 | 6  | 56  | 69  | 17              | 1.52                      | AN09        | KM09        |
| AW10X       | MB10        | 50  | 47.5  | 6  | 1.2 | 6  | 61  | 74  | 17              | 1.60                      | AN10        | KM10        |
| AW11X       | MB11        | 55  | 52.5  | 8  | 1.2 | 7  | 67  | 81  | 17              | 1.96                      | AN11        | KM11        |
| AW12X       | MB12        | 60  | 57.5  | 8  | 1.5 | 7  | 73  | 86  | 17              | 2.53                      | AN12        | KM12        |
| AW13X       | MB13        | 65  | 62.5  | 8  | 1.5 | 7  | 79  | 92  | 19              | 2.90                      | AN13        | KM13        |
| AW15X       | MB15        | 75  | 71.5  | 8  | 1.5 | 8  | 90  | 104 | 19              | 3.55                      | AN15        | KM15        |
| AW16X       | MB16        | 80  | 76.5  | 10 | 1.8 | 8  | 95  | 112 | 19              | 4.65                      | AN16        | KM16        |
| AW17X       | MB17        | 85  | 81.5  | 10 | 1.8 | 8  | 102 | 119 | 19              | 5.25                      | AN17        | KM17        |
| AW18X       | MB18        | 90  | 86.5  | 10 | 1.8 | 10 | 108 | 126 | 19              | 6.25                      | AN18        | KM18        |
| AW19X       | MB19        | 95  | 91.5  | 10 | 1.8 | 10 | 113 | 133 | 19              | 6.70                      | AN19        | KM19        |
| AW20X       | MB20        | 100 | 96.5  | 12 | 1.8 | 10 | 120 | 142 | 19              | 7.65                      | AN20        | KM20        |
| AW22X       | MB22        | 110 | 105.5 | 12 | 1.8 | 12 | 133 | 154 | 19              | 9.40                      | AN22        | KM22        |
| AW24X       | MB24        | 120 | 115.0 | 14 | 2.0 | 12 | 138 | 164 | 19              | 10.50                     | AN24        | KM24        |
| AW26X       | MB26        | 130 | 125.0 | 14 | 2.0 | 12 | 149 | 175 | 19              | 11.30                     | AN26        | KM26        |
| AW28X       | MB28        | 140 | 135.0 | 16 | 2.0 | 14 | 160 | 192 | 19              | 14.20                     | AN28        | KM28        |
| AW30X       | MB30        | 150 | 145.0 | 16 | 2.0 | 14 | 171 | 205 | 19              | 15.90                     | AN30        | KM30        |
| AW32X       | MB32        | 160 | 154.0 | 18 | 2.5 | 16 | 182 | 217 | 19              | 22.20                     | AN32        | KM32        |
| AW34X       | MB34        | 170 | 164.0 | 18 | 2.5 | 16 | 193 | 232 | 19              | 24.70                     | AN34        | KM34        |
| AW36X       | MB36        | 180 | 174.0 | 20 | 2.5 | 18 | 203 | 242 | 19              | 26.80                     | AN36        | KM36        |
| AW38X       | MB38        | 190 | 184.0 | 20 | 2.5 | 18 | 214 | 252 | 19              | 27.80                     | AN38        | KM38        |
| AW40X       | MB40        | 200 | 194.0 | 20 | 2.5 | 18 | 226 | 262 | 19              | 29.30                     | AN40        | KM40        |

Table 2

| Washer      |             | t1 | S  | L2 | S1 | i    | L3   | Mass kg (100 Pcs) approx. | Lock Nuts |             |             |
|-------------|-------------|----|----|----|----|------|------|---------------------------|-----------|-------------|-------------|
| NSK         | RHP         |    |    |    |    |      |      |                           | NSK       | RHP         |             |
| Part Number | Part Number | mm | mm | mm | mm | mm   | mm   |                           |           | Part Number | Part Number |
| AL44        | MB44        | 4  | 20 | 12 | 9  | 22.5 | 30.5 | 2.60                      |           | AN44        | HM44T       |
| AL48        | MB48        | 4  | 20 | 12 | 9  | 22.5 | 30.5 | 2.60                      |           | AN48        | HM48T       |
| AL52        | MB52        | 4  | 24 | 12 | 12 | 25.5 | 33.5 | 3.40                      |           | AN52        | HM52T       |
| AL56        | MB56        | 4  | 24 | 12 | 12 | 25.5 | 33.5 | 3.40                      |           | AN56        | HM56T       |
| AL60        | MS3160      | 4  | 24 | 12 | 12 | 30.5 | 38.5 | 3.80                      |           | AN60        | HM3160      |
| AL64        | MS3164      | 5  | 24 | 15 | 12 | 31.0 | 41.0 | 5.35                      |           | AN64        | HM3164      |
| AL68        | MS3168      | 5  | 28 | 15 | 14 | 38.0 | 48.0 | 6.65                      |           | AN68        | HM3168      |
| AL72        | MS3172      | 5  | 28 | 15 | 14 | 38.0 | 48.0 | 6.65                      |           | AN72        | HM3172      |
| AL76        | MS3176      | 5  | 32 | 15 | 14 | 40.0 | 50.0 | 7.95                      |           | AN76        | HM3176      |
| AL80        | MS3180      | 5  | 32 | 15 | 18 | 45.0 | 55.0 | 8.20                      |           | AN80        | HM3180      |



---

# Interchange Lists



The purpose of the following lists is to make it easy for bearing users to identify the NSK parts that correspond to various non NSK plummer blocks and accessories which have been removed from equipment and need replacing.

The list identifies the different components using part numbering systems. Users should then consult the relevant table to check the dimensions and select the precise designation. The NSK product is a functional equivalent in respect of the key features, although secondary dimensions may differ.

If you cannot find a part number in the list or if you are unsure about anything, please contact your local NSK office to ensure you get the right NSK part number.

**This list is provided in good faith, but no responsibility can be accepted for errors or omissions.**

The manufacturers included are:

- › SKF
- › SNR
- › FAG
- › RHP

# Interchange Lists

## Plummer Block Housings for Tapered Bore Bearings

| SKF / SNL   | FAG / SNV | SNR / SNC  | RHP / SNU  | NSK / SNN  |
|-------------|-----------|------------|------------|------------|
| SNL505V     | SNV052-L  | SNC505     | SNU505     | SNN505     |
| SNL506-605V | SNV062-L  | SNC506-605 | SNU506-605 | SNN506-605 |
| SNL507-606V | SNV072-L  | SNC507-606 | SNU507-606 | SNN507-606 |
| SNL508-607V | SNV080-L  | SNC508-607 | SNU508-607 | SNN508-607 |
| SNL509V     | SNV085-L  | SNC509     | SNU509     | SNN509     |
| SNL510-608V | SNV090-L  | SNC510-608 | SNU510-608 | SNN510-608 |
| SNL511-609V | SNV100-L  | SNC511-609 | SNU511-609 | SNN511-609 |
| SNL512-610V | SNV110-L  | SNC512-610 | SNU512-610 | SNN512-610 |
| SNL513-611V | SNV120-L  | SNC513-611 | SNU513-611 | SNN513-611 |
| SNL515-612V | SNV130-L  | SNC515-612 | SNU515-612 | SNN515-612 |
| SNL516-613V | SNV140-L  | SNC516-613 | SNU516-613 | SNN516-613 |
| SNL517V     | SNV150-L  | SNC517     | SNU517     | SNN517     |
| SNL518-615V | SNV160-L  | SNC518-615 | SNU518-615 | SNN518-615 |
| SNL519-616V | SNV170-L  | SNC519-616 | SNU519-616 | SNN519-616 |
| SNL520-617V | SNV180-L  | SNC520-617 | SNU520-617 | SNN520-617 |
| SNL522-619V | SNV200-L  | SNC522-619 | SNU522-619 | SNN522-619 |
| SNL524-620V | SNV215-L  | SNC524-620 | SNU524-620 | SNN524-620 |
| SNL526V     | SNV230-L  | SNC526     | SNU526     | SNN526     |
| SNL528V     | SNV250-L  | SNC528     | SNU528     | SNN528     |
| SNL530V     | SNV270-L  | SNC530     | SNU530     | SNN530     |
| SNL532V     | SNV290-L  | SNC532     | SNU532     | SNN532     |
| SNL3134     | SD3134    | -          | SD3134     | -          |
| SNL3136     | SD3136    | -          | SD3136     | -          |
| SNL3138     | SD3138    | -          | SD3138     | -          |
| SNL3140     | SD3140    | -          | SD3140     | -          |
| SNL3144     | SD3144    | -          | SD3144     | -          |
| SNL3148     | SD3148    | -          | SD3148     | -          |
| SNL3152     | SD3152    | -          | SD3152     | -          |
| SNL3156     | SD3156    | -          | SD3156     | -          |
| SNL3160     | SD3160    | -          | SD3160     | -          |
| SNL3164     | SD3164    | -          | SD3164     | -          |
| SNL3168     | SD3168    | -          | SD3168     | -          |
| SNL3172     | SD3172    | -          | SD3172     | -          |
| SNL3176     | SD3176    | -          | SD3176     | -          |
| SNL3180     | SD3180    | -          | SD3180     | -          |

## Felt Seals for Plummer Blocks 500–600 Series

| SKF / SNL | FAG / SNV | SNR / SNC | RHP / SNU | NSK / SNN |
|-----------|-----------|-----------|-----------|-----------|
| TSN505C   | FSV505    | SC505FS   | -         | C505-KIT  |
| TSN506C   | FSV506    | SC506FS   | -         | C506-KIT  |
| TSN507C   | FSV507    | SC507FS   | -         | C507-KIT  |
| TSN508C   | FSV508    | SC508FS   | -         | C508-KIT  |
| TSN509C   | FSV509    | SC509FS   | -         | C509-KIT  |
| TSN510C   | FSV510    | SC510FS   | -         | C510-KIT  |
| TSN511C   | FSV511    | SC511FS   | -         | C511-KIT  |
| TSN512C   | FSV512    | SC512FS   | -         | C512-KIT  |
| TSN513C   | FSV513    | SC513FS   | -         | C513-KIT  |
| TSN515C   | FSV515    | SC515FS   | -         | C515-KIT  |
| TSN516C   | FSV516    | SC516FS   | -         | C516-KIT  |
| TSN517C   | FSV517    | SC517FS   | -         | C517-KIT  |
| TSN518C   | FSV518    | SC518FS   | -         | C518-KIT  |
| TSN519C   | FSV519    | SC519FS   | -         | C519-KIT  |
| TSN520C   | FSV520    | SC520FS   | -         | C520-KIT  |
| TSN522C   | FSV522    | SC522FS   | -         | C522-KIT  |
| TSN524C   | FSV524    | SC524FS   | -         | C524-KIT  |
| TSN526C   | FSV526    | SC526FS   | -         | C526-KIT  |
| TSN528C   | FSV528    | SC528FS   | -         | C528-KIT  |
| TSN530C   | FSV530    | SC530FS   | -         | C530-KIT  |
| TSN532C   | FSV532    | SC532FS   | -         | C532-KIT  |
| TSN605C   | FSV605    | SC605FS   | -         | C605-KIT  |
| TSN606C   | FSV606    | SC606FS   | -         | C606-KIT  |
| TSN607C   | FSV607    | SC607FS   | -         | C607-KIT  |
| TSN608C   | FSV608    | SC608FS   | -         | C608-KIT  |
| TSN609C   | FSV609    | SC609FS   | -         | C609-KIT  |
| TSN610C   | FSV610    | SC610FS   | -         | C610-KIT  |
| TSN611C   | FSV611    | SC611FS   | -         | C611-KIT  |
| TSN612C   | FSV612    | SC612FS   | -         | C612-KIT  |
| TSN613C   | FSV613    | SC613FS   | -         | C613-KIT  |
| TSN615C   | FSV615    | SC615FS   | -         | C615-KIT  |
| TSN616C   | FSV616    | SC616FS   | -         | C616-KIT  |
| TSN617C   | FSV617    | SC617FS   | -         | C617-KIT  |
| TSN619C   | FSV619    | SC619FS   | -         | C619-KIT  |
| TSN620C   | FSV620    | SC620FS   | -         | C620-KIT  |

# Interchange Lists

## Double Lip Seals for Plummer Blocks 500–600 Series

| SKF / SNL | FAG / SNV | SNR / SNC | RHP / SNU | NSK / SNN |
|-----------|-----------|-----------|-----------|-----------|
| TSN505G   | DH505     | SC505DS   | U505      | G505-KIT  |
| TSN506G   | DH506     | SC506DS   | U506      | G506-KIT  |
| TSN507G   | DH507     | SC507DS   | U507      | G507-KIT  |
| TSN508G   | DH508     | SC508DS   | U508      | G508-KIT  |
| TSN509G   | DH509     | SC509DS   | U509      | G509-KIT  |
| TSN510G   | DH510     | SC510DS   | U510      | G510-KIT  |
| TSN511G   | DH511     | SC511DS   | U511      | G511-KIT  |
| TSN512G   | DH512     | SC512DS   | U512      | G512-KIT  |
| TSN513G   | DH513     | SC513DS   | U513      | G513-KIT  |
| TSN515G   | DH515     | SC515DS   | U515      | G515-KIT  |
| TSN516G   | DH516     | SC516DS   | U516      | G516-KIT  |
| TSN517G   | DH517     | SC517DS   | U517      | G517-KIT  |
| TSN518G   | DH518     | SC518DS   | U518      | G518-KIT  |
| TSN519G   | DH519     | SC519DS   | U519      | G519-KIT  |
| TSN520G   | DH520     | SC520DS   | U520      | G520-KIT  |
| TSN522G   | DH522     | SC522DS   | U522      | G522-KIT  |
| TSN524G   | DH524     | SC524DS   | U524      | G524-KIT  |
| TSN526G   | DH526     | SC526DS   | U526      | G526-KIT  |
| TSN528G   | DH528     | SC528DS   | U528      | G528-KIT  |
| TSN530G   | DH530     | SC530DS   | U530      | G530-KIT  |
| TSN532G   | DH532     | SC532DS   | U532      | G532-KIT  |
| TSN605G   | DH605     | SC605DS   | U605      | G605-KIT  |
| TSN606G   | DH606     | SC606DS   | U606      | G606-KIT  |
| TSN607G   | DH607     | SC607DS   | U607      | G607-KIT  |
| TSN608G   | DH608     | SC608DS   | U608      | G608-KIT  |
| TSN609G   | DH609     | SC609DS   | U609      | G609-KIT  |
| TSN610G   | DH610     | SC610DS   | U610      | G610-KIT  |
| TSN611G   | DH611     | SC611DS   | U611      | G611-KIT  |
| TSN612G   | DH612     | SC612DS   | U612      | G612-KIT  |
| TSN613G   | DH613     | SC613DS   | U613      | G613-KIT  |
| TSN615G   | DH615     | SC615DS   | U615      | G615-KIT  |
| TSN616G   | DH616     | SC616DS   | U616      | G616-KIT  |
| TSN617G   | DH617     | SC617DS   | U617      | G617-KIT  |
| TSN619G   | DH619     | SC619DS   | U619      | G619-KIT  |
| TSN620G   | DH620     | SC620DS   | U620      | G620-KIT  |

## V-Ring Seals for Plummer Blocks 500–600 Series

| SKF / SNL | FAG / SNV | SNR / SNC | RHP / SNU | NSK / SNN |
|-----------|-----------|-----------|-----------|-----------|
| TSN505A   | DHV505    | SC505SV   | TSNA505   | V505-KIT  |
| TSN506A   | DHV506    | SC506SV   | TSNA506   | V506-KIT  |
| TSN507A   | DHV507    | SC507SV   | TSNA507   | V507-KIT  |
| TSN508A   | DHV508    | SC508SV   | TSNA508   | V508-KIT  |
| TSN509A   | DHV509    | SC509SV   | TSNA509   | V509-KIT  |
| TSN510A   | DHV510    | SC510SV   | TSNA510   | V510-KIT  |
| TSN511A   | DHV511    | SC511SV   | TSNA511   | V511-KIT  |
| TSN512A   | DHV512    | SC512SV   | TSNA512   | V512-KIT  |
| TSN513A   | DHV513    | SC513SV   | TSNA513   | V513-KIT  |
| TSN515A   | DHV515    | SC515SV   | TSNA515   | V515-KIT  |
| TSN516A   | DHV516    | SC516SV   | TSNA516   | V516-KIT  |
| TSN517A   | DHV517    | SC517SV   | TSNA517   | V517-KIT  |
| TSN518A   | DHV518    | SC518SV   | TSNA518   | V518-KIT  |
| TSN519A   | DHV519    | SC519SV   | TSNA519   | V519-KIT  |
| TSN520A   | DHV520    | SC520SV   | TSNA520   | V520-KIT  |
| TSN522A   | DHV522    | SC522SV   | TSNA522   | V522-KIT  |
| TSN524A   | DHV524    | SC524SV   | TSNA524   | V524-KIT  |
| TSN526A   | DHV526    | SC526SV   | TSNA526   | V526-KIT  |
| TSN528A   | DHV528    | SC528SV   | TSNA528   | V528-KIT  |
| TSN530A   | DHV530    | SC530SV   | TSNA530   | V530-KIT  |
| TSN532A   | DHV532    | SC532SV   | TSNA532   | V532-KIT  |
| TSN605A   | DHV605    | SC605SV   | TSNA605   | V605-KIT  |
| TSN606A   | DHV606    | SC606SV   | TSNA606   | V606-KIT  |
| TSN607A   | DHV607    | SC607SV   | TSNA607   | V607-KIT  |
| TSN608A   | DHV608    | SC608SV   | TSNA608   | V608-KIT  |
| TSN609A   | DHV609    | SC609SV   | TSNA609   | V609-KIT  |
| TSN610A   | DHV610    | SC610SV   | TSNA610   | V610-KIT  |
| TSN611A   | DHV611    | SC611SV   | TSNA611   | V611-KIT  |
| TSN612A   | DHV612    | SC612SV   | TSNA612   | V612-KIT  |
| TSN613A   | DHV613    | SC613SV   | TSNA613   | V613-KIT  |
| TSN615A   | DHV615    | SC615SV   | TSNA615   | V615-KIT  |
| TSN616A   | DHV616    | SC616SV   | TSNA616   | V616-KIT  |
| TSN617A   | DHV617    | SC617SV   | TSNA617   | V617-KIT  |
| TSN619A   | DHV619    | SC619SV   | TSNA619   | V619-KIT  |
| TSN620A   | DHV620    | SC620SV   | TSNA620   | V620-KIT  |

# Interchange Lists

## Labyrinth Seals for Plummer Blocks 500–600 Series

| SKF / SNL | FAG / SNV | SNR / SNC | RHP / SNU | NSK / SNN |
|-----------|-----------|-----------|-----------|-----------|
| TSN505S   | TSV505    | SC505LA   | TS505U    | TS505U    |
| TSN506S   | TSV506    | SC506LA   | TS506U    | TS506U    |
| TSN507S   | TSV507    | SC507LA   | TS507U    | TS507U    |
| TSN508S   | TSV508    | SC508LA   | TS508U    | TS508U    |
| TSN509S   | TSV509    | SC509LA   | TS509U    | TS509U    |
| TSN510S   | TSV510    | SC510LA   | TS510U    | TS510U    |
| TSN511S   | TSV511    | SC511LA   | TS511U    | TS511U    |
| TSN512S   | TSV512    | SC512LA   | TS512U    | TS512U    |
| TSN513S   | TSV513    | SC513LA   | TS513U    | TS513U    |
| TSN515S   | TSV515    | SC515LA   | TS515U    | TS515U    |
| TSN516S   | TSV516    | SC516LA   | TS516U    | TS516U    |
| TSN517S   | TSV517    | SC517LA   | TS517U    | TS517U    |
| TSN518S   | TSV518    | SC518LA   | TS518U    | TS518U    |
| TSN519S   | TSV519    | SC519LA   | TS519U    | TS519U    |
| TSN520S   | TSV520    | SC520LA   | TS520U    | TS520U    |
| TSN522S   | TSV522    | SC522LA   | TS522U    | TS522U    |
| TSN524S   | TSV524    | SC524LA   | TS524U    | TS524U    |
| TSN526S   | TSV526    | SC526LA   | TS526U    | TS526U    |
| TSN528S   | TSV528    | SC528LA   | TS528U    | TS528U    |
| TSN530S   | TSV530    | SC530LA   | TS530U    | TS530U    |
| TSN532S   | TSV532    | SC532LA   | TS532U    | TS532U    |
| TSN605S   | TSV605    | SC605LA   | TS605U    | TS605U    |
| TSN606S   | TSV606    | SC606LA   | TS606U    | TS606U    |
| TSN607S   | TSV607    | SC607LA   | TS607U    | TS607U    |
| TSN608S   | TSV608    | SC608LA   | TS608U    | TS608U    |
| TSN609S   | TSV609    | SC609LA   | TS609U    | TS609U    |
| TSN610S   | TSV610    | SC610LA   | TS610U    | TS610U    |
| TSN611S   | TSV611    | SC611LA   | TS611U    | TS611U    |
| TSN612S   | TSV612    | SC612LA   | TS612U    | TS612U    |
| TSN613S   | TSV613    | SC613LA   | TS613U    | TS613U    |
| TSN615S   | TSV615    | SC615LA   | TS615U    | TS615U    |
| TSN616S   | TSV616    | SC616LA   | TS616U    | TS616U    |
| TSN617S   | TSV617    | SC617LA   | TS617U    | TS617U    |
| TSN619S   | TSV619    | SC619LA   | TS619U    | TS619U    |
| TSN620S   | TSV620    | SC620LA   | TS620U    | TS620U    |

## Taconite Seals for Plummer Blocks 500–600 Series

| SKF / SNL | FAG / SNV | SNR / SNC | RHP / SNU | NSK / SNN |
|-----------|-----------|-----------|-----------|-----------|
| TSN505ND  | –         | SC505TA   | –         | TACK505   |
| TSN506ND  | –         | SC506TA   | –         | TACK506   |
| TSN507ND  | –         | SC507TA   | –         | TACK507   |
| TSN508ND  | TCV508    | SC508TA   | –         | TACK508   |
| TSN509ND  | TCV509    | SC509TA   | –         | TACK509   |
| TSN510ND  | TCV510    | SC510TA   | –         | TACK510   |
| TSN511ND  | TCV511    | SC511TA   | –         | TACK511   |
| TSN512ND  | TCV512    | SC512TA   | –         | TACK512   |
| TSN513ND  | TCV513    | SC513TA   | –         | TACK513   |
| TSN515ND  | TCV515    | SC515TA   | –         | TACK515   |
| TSN516ND  | TCV516    | SC516TA   | –         | TACK516   |
| TSN517ND  | TCV517    | SC517TA   | –         | TACK517   |
| TSN518ND  | TCV518    | SC518TA   | –         | TACK518   |
| TSN519ND  | TCV519    | SC519TA   | –         | TACK519   |
| TSN520ND  | TCV520    | SC520TA   | –         | TACK520   |
| TSN522ND  | TCV522    | SC522TA   | –         | TACK522   |
| TAN524ND  | TCV524    | SC524TA   | –         | TACK524   |
| TSN526ND  | TCV526    | SC526TA   | –         | TACK526   |
| TSN528ND  | TCV528    | SC528TA   | –         | TACK528   |
| TSN530ND  | TCV530    | SC530TA   | –         | TACK530   |
| TSN532ND  | TCV532    | SC532TA   | –         | TACK532   |
| TSN605ND  | –         | SC605TA   | –         | TACK605   |
| TSN606ND  | TCV606    | SC606TA   | –         | TACK606   |
| TSN607ND  | TCV607    | SC607TA   | –         | TACK607   |
| TSN608ND  | TCV608    | SC608TA   | –         | TACK608   |
| TSN609ND  | TCV609    | SC609TA   | –         | TACK609   |
| TSN610ND  | TCV610    | SC610TA   | –         | TACK610   |
| TSN611ND  | TCV611    | SC611TA   | –         | TACK611   |
| TSN612ND  | TCV612    | SC612TA   | –         | TACK612   |
| TSN613ND  | TCV613    | SC613TA   | –         | TACK613   |
| TSN615ND  | TCV615    | SC615TA   | –         | TACK615   |
| TSN616ND  | TCV616    | SC616TA   | –         | TACK616   |
| TSN617ND  | TCV617    | SC617TA   | –         | TACK617   |
| TSN619ND  | TCV619    | SC619TA   | –         | TACK619   |
| TSN620ND  | –         | SC620TA   | –         | TACK620   |

# Interchange Lists

## End Covers for Plummer Blocks 500–600 Series

| SKF / SNL   | FAG / SNV | SNR / SNC   | RHP / SNU | NSK / SNN |
|-------------|-----------|-------------|-----------|-----------|
| ASNH505     | DKV052    | SC505EC     | 505A      | 505A      |
| ASNH506-605 | DKV062    | SC506-605EC | 506A      | 506A      |
| ASNH507-606 | DKV072    | SC507-606EC | 507A      | 507A      |
| ASNH508-607 | DKV080    | SC508-607EC | 508A      | 508A      |
| ASNH509     | DKV085    | SC509EC     | 509A      | 509A      |
| ASNH510-608 | DKV090    | SC510-608EC | 510A      | 510A      |
| ASNH511-609 | DKV100    | SC511-609EC | 511A      | 511A      |
| ASNH512-610 | DKV110    | SC512-610EC | 512A      | 512A      |
| ASNH513-611 | DKV120    | SC513-611EC | 513A      | 513A      |
| ASNH515-612 | DKV130    | SC515-612EC | 515A      | 515A      |
| ASNH516-613 | DKV140    | SC516-613EC | 516A      | 516A      |
| ASNH517     | DKV150    | SC517EC     | 517A      | 517A      |
| ASNH518-615 | DKV160    | SC518-615EC | 518A      | 518A      |
| ASNH519-616 | DKV170    | SC519-616EC | 519A      | 519A      |
| ASNH520-617 | DKV180    | SC520-617EC | 520A      | 520A      |
| ASNH522-619 | DKV200    | SC522-619EC | 522A      | 522A      |
| ASNH524-620 | DKV215    | SC524-620EC | 524A      | 524A      |
| ASNH526     | DKV230    | SC526EC     | 526A      | 526A      |
| ASNH528     | DKV250    | SC528EC     | 528A      | 528A      |
| ASNH530     | DKV270    | SC530EC     | 530A      | 530A      |
| ASNH532     | DKV290    | SC532EC     | 532A      | 532A      |

## Labyrinth Seals for Plummer Blocks SD 3100 Series

| SKF / SD | FAG / SD | SNR / - | RHP / SD | NSK / - |
|----------|----------|---------|----------|---------|
| TS34     | TS34     | -       | TS34     | -       |
| TS36     | TS36     | -       | TS36     | -       |
| TS38     | TS38     | -       | TS38     | -       |
| TS40     | TS40     | -       | TS40     | -       |
| TS44     | TS44     | -       | TS44     | -       |
| TS48     | TS48     | -       | TS48     | -       |
| TS52     | TS52     | -       | TS52     | -       |
| TS56     | TS56     | -       | TS56     | -       |
| TS60     | TS60     | -       | TS60     | -       |
| TS64     | TS64     | -       | TS64     | -       |
| TS68     | TS68     | -       | TS68     | -       |
| TS72     | TS72     | -       | TS72     | -       |
| TS76     | TS76     | -       | TS76     | -       |
| TS80     | TS80     | -       | TS80     | -       |



## End Covers for Plummer Blocks SD 3100 Series

| SKF / SD | FAG / SD  | SNR / - | RHP / SD | NSK / - |
|----------|---|---------|----------|---------|
| ETS34    | Included<br>in<br>Housing<br>Part Number<br>(Suffix AF or AL) | -       | TSA34    | -       |
| ETS36    |   | -       | TSA36    | -       |
| ETS38    |   | -       | TSA38    | -       |
| ETS40    |   | -       | TSA40    | -       |
| ETS44    |   | -       | TSA44    | -       |
| ETS48    |   | -       | TSA48    | -       |
| ETS52    |   | -       | TSA52    | -       |
| ETS56    |   | -       | TSA56    | -       |
| ETS60    |   | -       | TSA60    | -       |
| ETS64    |   | -       | TSA64    | -       |
| ETS68    |   | -       | TSA68    | -       |
| ETS72    |   | -       | TSA72    | -       |
| ETS76    |   | -       | TSA76    | -       |
| ETS80    |   | -       | TSA80    | -       |

## Taconite Seals for Plummer Blocks SD 3100 Series

| SKF / SD | FAG / SD | SNR / - | RHP / SD | NSK / - |
|----------|----------|---------|----------|---------|
| TNF34    | -        | -       | TACSD34  | -       |
| TNF36    | -        | -       | TACSD36  | -       |
| TNF38    | -        | -       | TACSD38  | -       |
| TNF40    | -        | -       | TACSD40  | -       |
| TNF44    | -        | -       | TACSD44  | -       |
| TNF48    | -        | -       | TACSD48  | -       |
| TNF52    | -        | -       | TACSD52  | -       |
| TNF56    | -        | -       | TACSD56  | -       |
| TNF60    | -        | -       | TACSD60  | -       |
| TNF64    | -        | -       | TACSD64  | -       |
| TNF68    | -        | -       | TACSD68  | -       |
| TNF72    | -        | -       | TACSD72  | -       |
| TNF76    | -        | -       | TACSD76  | -       |
| TNF80    | -        | -       | TACSD80  | -       |

# Housing Versatility

| Shaft Diam.<br>D (mm) | Bearing |        | Adapter Sleeve | Locating Ring Kit<br>(2 Rings) | Housing | Housing Designation |
|-----------------------|---------|--------|----------------|--------------------------------|---------|---------------------|
|                       | Ball    | Roller |                |                                |         |                     |
| 20                    | 1205K   | -      | H205           | SR52x5                         | SNN505  | SNN505              |
|                       | 2205K   | 22205K | H305           | SR52x3.5                       |         |                     |
|                       | 1305K   | 21305K | H305           | SR62x7.5                       | SNN605  | SNN506-605          |
|                       | 2305K   | -      | H2305          | SR62x4                         |         |                     |
| 25                    | 1206K   | -      | H206           | SR62x8                         | SNN506  |                     |
|                       | 2206K   | 22206K | H306           | SR62x6                         |         |                     |
|                       | 1306K   | 21306K | H306           | SR72x7.5                       | SNN606  | SNN507-606          |
|                       | 2306K   | -      | H2306          | SR72x3.5                       |         |                     |
| 30                    | 1207K   | -      | H207           | SR72x8.5                       | SNN507  |                     |
|                       | 2207K   | 22207K | H307           | SR72x5.5                       |         |                     |
|                       | 1307K   | 21307K | H307           | SR80x9                         | SNN607  | SNN508-607          |
|                       | 2307K   | -      | H2307          | SR80x4                         |         |                     |
| 35                    | 1208K   | -      | H208           | SR80x10.5                      | SNN508  |                     |
|                       | 2208K   | 22208K | H308           | SR80x8                         |         |                     |
|                       | 1308K   | 21308K | H308           | SR90x9                         | SNN608  | SNN510-608          |
|                       | 2308K   | 22308K | H2308          | SR90x4                         |         |                     |
| 40                    | 1209K   | -      | H209           | SR85x5.5                       | SNN509  | SNN509              |
|                       | 2209K   | 22209K | H309           | SR85x3.5                       |         |                     |
|                       | 1309K   | 21309K | H309           | SR100x9.5                      | SNN609  | SNN511-609          |
|                       | 2309K   | 22309K | H2309          | SR100x4                        |         |                     |
| 45                    | 1210K   | -      | H210           | SR90x10.5                      | SNN510  | SNN510-608          |
|                       | 2210K   | 22210K | H310           | SR90x9                         |         |                     |
|                       | 1310K   | 21310K | H310           | SR110x10.5                     | SNN610  | SNN512-610          |
|                       | 2310K   | 22310K | H2310          | SR110x4                        |         |                     |
| 50                    | 1211K   | -      | H211           | SR100x11.5                     | SNN511  | SNN511-609          |
|                       | 2211K   | 22211K | H311           | SR100x9.5                      |         |                     |
|                       | 1311K   | 21311K | H311           | SR120x11                       | SNN611  | SNN513-611          |
|                       | 2311K   | 22311K | H2311          | SR120x4                        |         |                     |
| 55                    | 1212K   | -      | H212           | SR110x13                       | SNN512  | SNN512-610          |
|                       | 2212K   | 22212K | H312           | SR110x10                       |         |                     |
|                       | 1312K   | 21312K | H312           | SR130x12.5                     | SNN612  | SNN515-612          |
|                       | 2312K   | 22312K | H2312          | SR130x5                        |         |                     |
| 60                    | 1213K   | -      | H213           | SR120x14                       | SNN513  | SNN513-611          |
|                       | 2213K   | 22213K | H313           | SR120x10                       |         |                     |
|                       | 1313K   | 21313K | H313           | SR140x12.5                     | SNN613  | SNN516-613          |
|                       | 2313K   | 22313K | H2313          | SR140x5                        |         |                     |
| 65                    | 1215K   | -      | H215           | SR130x15.5                     | SNN515  | SNN515-612          |
|                       | 2215K   | 22215K | H315           | SR130x12.5                     |         |                     |
|                       | 1315K   | 21315K | H315           | SR160x14                       | SNN615  | SNN518-615          |
|                       | 2315K   | 22315K | H2315          | SR160x5                        |         |                     |
| 70                    | 1216K   | -      | H216           | SR140x16                       | SNN516  | SNN516-613          |
|                       | 2216K   | 22216K | H316           | SR140x12.5                     |         |                     |
|                       | 1316K   | 21316K | H316           | SR170x14.5                     | SNN616  | SNN519-616          |
|                       | 2316K   | 22316K | H2316          | SR170x5                        |         |                     |
| 75                    | 1217K   | -      | H217           | SR150x16.5                     | SNN517  | SNN517              |
|                       | 2217K   | 22217K | H317           | SR150x12.5                     |         |                     |
|                       | 1317K   | 21317K | H317           | SR180x14.5                     | SNN617  | SNN520-617          |
|                       | 2317K   | 22317K | H2317          | SR180x5                        |         |                     |
| 80                    | 1218K   | -      | H218           | SR160x17.5                     | SNN518  | SNN518-615          |
|                       | 2218K   | 22218K | H318           | SR160x12.5                     |         |                     |
|                       | -       | 23218K | H2318          | SR160x6.25                     |         |                     |
|                       | 1219K   | -      | H219           | SR170x18                       |         |                     |
| 85                    | 2219K   | 22219K | H319           | SR170x12.5                     | SNN519  | SNN519-616          |
|                       | 1319K   | 21319K | H319           | SR200x17.5                     |         |                     |
|                       | 2319K   | 22319K | H2319          | SR200x6.5                      | SNN619  | SNN522-619          |
|                       | 1220K   | -      | H220           | SR180x18                       |         |                     |
| 90                    | 2220K   | 22220K | H320           | SR180x12                       | SNN520  | SNN520-617          |
|                       | -       | 23220K | H2320          | SR180x4.75                     |         |                     |
|                       | 1320K   | 21320K | H320           | SR215x19.5                     | SNN620  | SNN524-620          |
|                       | 2320K   | 22320K | H2320          | SR215x6.5                      |         |                     |
| 100                   | 1222K   | -      | H222           | SR200x21                       | SNN522  | SNN522-619          |
|                       | 2222K   | 22222K | H322           | SR200x13.5                     |         |                     |
|                       | -       | 23222K | H2322          | SR200x5                        |         |                     |
|                       | -       | 22224K | H3124          | SR215x14                       |         |                     |
| 110                   | -       | 23224K | H2324          | SR215x5                        | SNN524  | SNN524-620          |
|                       | -       | 22226K | H3126          | SR230x13                       |         |                     |
| 115                   | -       | 23226K | H2326          | SR230x5                        | SNN526  | SNN526              |
|                       | -       | 22228K | H3128          | SR250x15                       |         |                     |
| 125                   | -       | 23228K | H2328          | SR250x5                        | SNN528  | SNN528              |
|                       | -       | 22230K | H3130          | SR270x16.5                     |         |                     |
|                       | -       | 23230K | H2330          | SR270x5                        |         |                     |
| 135                   | -       | 22232K | H3132          | SR290x17                       | SNN532  | SNN532              |
|                       | -       | 23232K | H2332          | SR290x5                        |         |                     |

|  | Double Lip G Seals<br>(2 Seals) | Felt C Seals<br>(2 Seals) | V-Ring / V Seals<br>(2 Seals) | Labyrinth seal TS<br>(1 seal) | Taconite seal TACK<br>(1 seal) | End cover |
|--|---------------------------------|---------------------------|-------------------------------|-------------------------------|--------------------------------|-----------|
|  | G505-KIT                        | C505-KIT                  | V505-KIT                      | TS505U                        | TACK505                        | 505A      |
|  | G605-KIT                        | C605-KIT                  | V605-KIT                      | TS605U                        | TACK605                        | 506A      |
|  | G506-KIT                        | C506-KIT                  | V506-KIT                      | TS506U                        | TACK506                        | 506A      |
|  | G606-KIT                        | C606-KIT                  | V606-KIT                      | TS606U                        | TACK606                        | 507A      |
|  | G507-KIT                        | C507-KIT                  | V507-KIT                      | TS507U                        | TACK507                        | 507A      |
|  | G607-KIT                        | C607-KIT                  | V607-KIT                      | TS607U                        | TACK607                        | 508A      |
|  | G508-KIT                        | C508-KIT                  | V508-KIT                      | TS508U                        | TACK508                        | 508A      |
|  | G608-KIT                        | C608-KIT                  | V608-KIT                      | TS608U                        | TACK608                        | 510A      |
|  | G509-KIT                        | C509-KIT                  | V509-KIT                      | TS509U                        | TACK509                        | 509A      |
|  | G609-KIT                        | C609-KIT                  | V609-KIT                      | TS609U                        | TACK609                        | 511A      |
|  | G510-KIT                        | C510-KIT                  | V510-KIT                      | TS510U                        | TACK510                        | 510A      |
|  | G610-KIT                        | C610-KIT                  | V610-KIT                      | TS610U                        | TACK610                        | 512A      |
|  | G511-KIT                        | C511-KIT                  | V511-KIT                      | TS511U                        | TACK511                        | 511A      |
|  | G611-KIT                        | C611-KIT                  | V611-KIT                      | TS611U                        | TACK611                        | 513A      |
|  | G512-KIT                        | C512-KIT                  | V512-KIT                      | TS512U                        | TACK512                        | 512A      |
|  | G612-KIT                        | C612-KIT                  | V612-KIT                      | TS612U                        | TACK612                        | 515A      |
|  | G513-KIT                        | C513-KIT                  | V513-KIT                      | TS513U                        | TACK513                        | 513A      |
|  | G613-KIT                        | C613-KIT                  | V613-KIT                      | TS613U                        | TACK613                        | 516A      |
|  | G515-KIT                        | C515-KIT                  | V515-KIT                      | TS515U                        | TACK515                        | 515A      |
|  | G615-KIT                        | C615-KIT                  | V615-KIT                      | TS615U                        | TACK615                        | 518A      |
|  | G516-KIT                        | C516-KIT                  | V516-KIT                      | TS516U                        | TACK516                        | 516A      |
|  | G616-KIT                        | C616-KIT                  | V616-KIT                      | TS616U                        | TACK616                        | 519A      |
|  | G517-KIT                        | C517-KIT                  | V517-KIT                      | TS517U                        | TACK517                        | 517A      |
|  | G617-KIT                        | C617-KIT                  | V617-KIT                      | TS617U                        | TACK617                        | 520A      |
|  | G518-KIT                        | C518-KIT                  | V518-KIT                      | TS518U                        | TACK518                        | 518A      |
|  | G519-KIT                        | C519-KIT                  | V519-KIT                      | TS519U                        | TACK519                        | 519A      |
|  | G619-KIT                        | C619-KIT                  | V619-KIT                      | TS619U                        | TACK619                        | 522A      |
|  | G520-KIT                        | C520-KIT                  | V520-KIT                      | TS520U                        | TACK520                        | 520A      |
|  | G620-KIT                        | C620-KIT                  | V620-KIT                      | TS620U                        | TACK620                        | 524A      |
|  | G522-KIT                        | C522-KIT                  | V522-KIT                      | TS522U                        | TACK522                        | 522A      |
|  | G524-KIT                        | C524-KIT                  | V524-KIT                      | TS524U                        | TACK524                        | 524A      |
|  | G526-KIT                        | C526-KIT                  | V526-KIT                      | TS526U                        | TACK526                        | 526A      |
|  | G528-KIT                        | C528-KIT                  | V528-KIT                      | TS528U                        | TACK528                        | 528A      |
|  | G530-KIT                        | C530-KIT                  | V530-KIT                      | TS530U                        | TACK530                        | 530A      |
|  | G532-KIT                        | C532-KIT                  | V532-KIT                      | TS532U                        | TACK532                        | 532A      |

## European NSK Sales Offices

### UK

NSK UK Ltd.  
Northern Road, Newark  
Nottinghamshire NG24 2JF  
Tel. +44 (0) 1636 605123  
Fax +44 (0) 1636 643276  
info-uk@nsk.com

### France

NSK France S.A.S.  
Quartier de l'Europe  
2, rue Georges Guynemer  
78283 Guyancourt Cedex  
Tel. +33 (0) 1 30573939  
Fax +33 (0) 1 30570001  
info-fr@nsk.com

### Germany

NSK Deutschland GmbH  
Harkortstraße 15  
40880 Ratingen  
Tel. +49 (0) 2102 4810  
Fax +49 (0) 2102 4812290  
info-de@nsk.com

### Italy

NSK Italia S.p.A.  
Via Garibaldi, 215  
20024 Garbagnate  
Milanese (MI)  
Tel. +39 02 995 191  
Fax +39 02 990 25 778  
info-it@nsk.com

### Norway

#### Nordic Sales Office

NSK Europe Norwegian Branch NUF  
Østre Kullerød 5  
N-3241 Sandefjord  
Tel. +47 33 293160  
Fax +47 33 429002  
info-n@nsk.com

### Poland & CEE

NSK Polska Sp. z o.o.  
Warsaw Branch  
Ul. Migdałowa 4/73  
02-796 Warszawa  
Tel. +48 22 645 15 25  
Fax +48 22 645 15 29  
info-pl@nsk.com

### South Africa

NSK South Africa (Pty) Ltd.  
27 Galaxy Avenue  
Linbro Business Park  
Sandton 2146  
Tel. +27 (011) 458 3600  
Fax +27 (011) 458 3608  
nsk-sa@nsk.com

### Spain

NSK Spain, S.A.  
C/ Tarragona, 161 Cuerpo Bajo  
2ª Planta, 08014 Barcelona  
Tel. +34 93 2892763  
Fax +34 93 4335776  
info-es@nsk.com

### Sweden

NSK Sweden Office  
Karolinen Företagscenter  
Växnäsgratan 10  
SE-65340 Karlstad  
Tel. +46 5410 3545  
Fax +46 5410 3544  
info-de@nsk.com

### Turkey

NSK Rulmanları Orta Doğu Tic. Ltd. Şti  
19 Mayıs Mah. Atatürk Cad.  
Ulya Engin İş Merkezi No: 68 Kat. 6  
P.K.: 34734 - Kozyatağı - İstanbul  
Tel. +90 216 3550398  
Fax +90 216 3550399  
turkey@nsk.com

Please also visit our website: [www.nskeurope.com](http://www.nskeurope.com)  
Global NSK: [www.nsk.com](http://www.nsk.com)

