

PST SERIES

	Dimensions (mm)								Weight
	H3	G	G1	A	A1	A2	B	S	kg
	75.8	M16X2.00	22.5	27.5	24.5	12.2	31.0	12.7	0.32
	75.8	M16X2.00	22.5	27.5	24.5	12.2	31.0	12.7	0.32
	75.8	M16X2.00	22.5	27.5	24.5	12.2	34.0	14.3	0.36
	75.8	M16X2.00	22.5	27.5	24.5	12.2	34.0	14.3	0.36
	88.8	M16X2.00	22.5	34.5	30.0	12.2	38.1	15.9	0.53
	88.8	M16X2.00	22.5	34.5	30.0	12.2	38.1	15.9	0.53
	88.8	M16X2.00	22.5	34.5	30.0	12.2	38.1	15.9	0.53
	88.8	M16X2.00	22.5	34.5	30.0	12.2	42.9	17.5	0.74
	88.8	M16X2.00	22.5	34.5	30.0	12.2	42.9	17.5	0.74
	88.8	M16X2.00	22.5	34.5	30.0	12.2	42.9	17.5	0.74
	101.8	M16X2.00	22.5	34.0	32.0	16.2	49.2	19.0	1.00
	101.8	M16X2.00	22.5	34.0	32.0	16.2	49.2	19.0	1.00

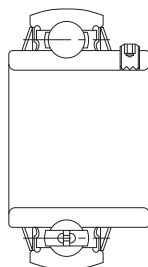


## Molded-Oil™ Inserts with Stainless Steel Housings

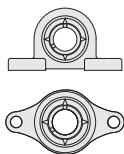


# Molded-Oil™ stainless steel unit references

## Insert Type

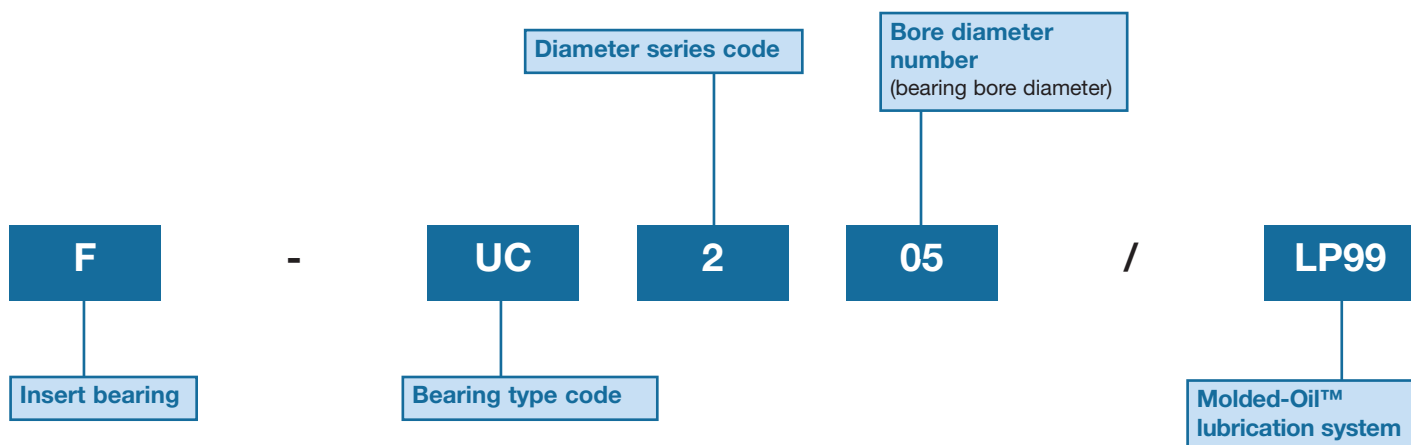


## Housing Type



Page	Series
114	F-UCPM2
116	F-UCFM2

## Molded-Oil™ insert references



# Ball bearing units stainless series

## Introduction

This series provides corrosion resistance and longer lubrication life in a clean unit with low torque characteristics.

NSK ball bearing units in the stainless series feature ball bearings inserted into housings made of stainless that provide superior resistance to corrosion as compared to standard series cast iron units. This series is especially useful in a wide variety of applications because of the rust-free properties of the housing.

Molded-Oil™ bearings are lubricated with NSK's own oil-impregnated material, Molded-Oil™. Molded-Oil™ consists of lubricating oil and polyolefin resin that has an affinity for oil. Oil slowly seeping from this material provides ample lubrication to the bearing for extended periods.

As oil seeping from the Molded-Oil™ inside the bearing provides sufficient lubrication, troublesome oil refilling is not required and contamination of the surrounding environment is prevented.

Prior to filling the bearings with Molded-Oil™, their interior surfaces are specially treated. As a result, bearing torque is not much higher than that of grease-lubricated bearings. (Patent pending)

The basic dimensions are the same as current NSK units and are also compatible with units from other manufacturers ISO standard.

## Materials

	Parts	Materials
Bearing	Raceways	Martensitic stainless steel (equivalent to SUS440C)
	Ball	Martensitic stainless steel (equivalent to SUS440C)
	Flinger, Retainer	Austenitic stainless steel (equivalent to SUS304)
	Rubber Seal	Nitrile rubber
	Set Screw (W shape screw head)	Martensitic stainless steel (equivalent to SUS410)
Bearing housing		Austenitic stainless steel casting (SCS13)

## Recommended operating temperature and allowable speed

Molded-Oil™ bearings are recommended to operate from -15 to +80°C. However, operating temperature should be below +60°C when the bearing is operated under continuous use.

$dn$  value :  $12 \times 10^4$  max

( $dn$  = bore diameter in mm x speed in min<sup>-1</sup>)

**Remarks:** This recommended operating temperature range and allowable speed is applied to all bearings with Molded-Oil™ bearings. Contact NSK when your application exceeds these recommendations.

## Recommended tightening torques for set screws

Bearing designation (F-UC)	Designation of set screws (W shape on screw head)	Maximum tightening torques (Nm)
204, 205	M5 x 0.8	3.9
206	M6 x 0.75	4.9
207	M6 x 0.75	5.8
208~210	M8 x 1	7.8

## Inner ring tolerances

Units: μm

Nominal bore diameter d		Bore diameter			Width		Radial runout (ref.)
over mm	incl. mm	Δdmp deviations		ΔVdp variations	ΔBs deviations		max
		high	low	max	high	low	
18	31.750	+18	0	12	0	-120	18
31.750	50.800	+21	0	14	0	-120	20

**Δdmp** : Mean bore diameter deviation.

**ΔVdp** : Bore diameter variation.

**ΔBs** : Inner ring width deviation.

## Outer ring tolerances

Units: μm

Nominal outside diameter D		ΔDm deviations		Radial runout (ref.)
over mm	incl. mm	high	low	max
30	50	0	-11	20
50	80	0	-13	25
80	120	0	-15	35

**ΔDm** : Mean outside diameter deviation.

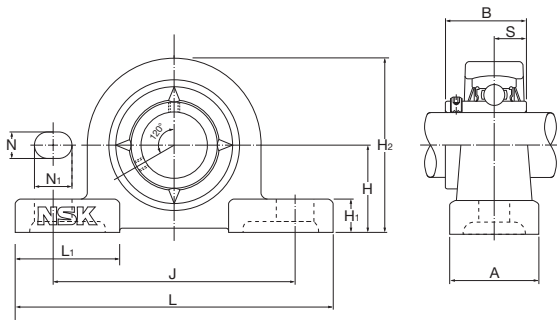
The lower deviation figure of ΔDm does not apply within a distance of ¼ the width of the outer ring from either side.

# Pillow type ball bearing unit

F-UCPM2 series

Cylindrical bore, set screw type with Molded-Oil™

Shaft diameter	Unit number	Dimensions (mm)										
		H	L	J	A	N	N <sub>1</sub>	H <sub>1</sub>	H <sub>2</sub>	L <sub>1</sub>	B	S
20	F-UCPM204D0/LP99	33.3	120	95	30	12	14	11	64	42	31.0	12.7
25	F-UCPM205D0/LP99	36.5	130	105	30	12	14	12	70	42	34.1	14.3
30	F-UCPM206D0/LP99	42.9	155	121	36	17	20	13	82	54	38.1	15.9
35	F-UCPM207D0/LP99	47.6	161	127	38	17	20	14	92	54	42.9	17.5
40	F-UCPM208D0/LP99	49.2	171	137	40	17	20	14	98	52	49.2	19
45	F-UCPM209D0/LP99	54	180	146	40	17	20	14	105	60	49.2	19
50	F-UCPM210D0/LP99	57.2	195	159	45	19	22	16	114	65	51.6	19



Bolt size	Bearing number	Housing number	Mass of unit (Ref.) kg
M10	F-UC204/LP99	PM204	0.6
M10	F-UC205/LP99	PM205	0.7
M14	F-UC206/LP99	PM206	1.0
M14	F-UC207/LP99	PM207	1.3
M14	F-UC208/LP99	PM208	1.8
M14	F-UC209/LP99	PM209	2.1
M16	F-UC210/LP99	PM210	2.5

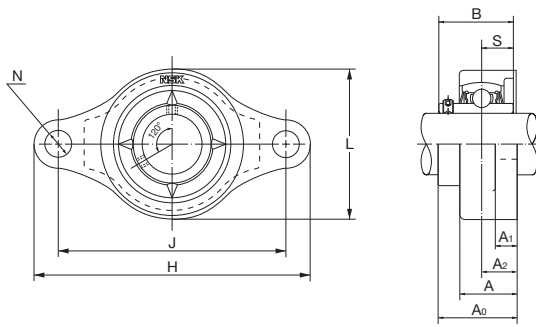
# Rhombus type ball bearing unit

F-UCFM2 series

Cylindrical bore, set screw type with Molded-Oil™

Shaft diameter	Unit number	Dimensions (mm)									
		H	J	A <sub>2</sub>	A <sub>1</sub>	A	N	L	A <sub>0</sub>	B	S
20	F-UCFM204D0/LP99	112	90	15	10	25.5	12	60	33.3	31.0	12.7
25	F-UCFM205D0/LP99	127	99	16	10	26.5	16	68	35.8	34.1	14.3
30	F-UCFM206D0/LP99	145	117	18	10	30	16	80	40.2	38.1	15.9
35	F-UCFM207D0/LP99	158	130	19	12	32	16	90	44.4	42.9	17.5
40	F-UCFM208D0/LP99	172	144	21	12	35	16	100	51.2	49.2	19
45	F-UCFM209D0/LP99	180	148	22	13	36	19	108	52.2	49.2	19
50	F-UCFM210D0/LP99	189	157	22	13	37	19	115	54.6	51.6	19



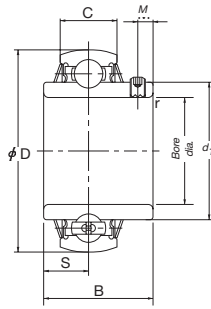


	Bolt size	Bearing number	Housing number	Mass of unit (Ref.)
				kg
	M10	F-UC204/LP99	FM204	0.5
	M14	F-UC205/LP99	FM205	0.6
	M14	F-UC206/LP99	FM206	0.9
	M14	F-UC207/LP99	FM207	1.2
	M14	F-UC208/LP99	FM208	1.6
	M16	F-UC209/LP99	FM209	1.9
	M16	F-UC210/LP99	FM210	2.2

# Stainless insert bearing

Cylindrical bore, set screw type with Molded-Oil™

Shaft diameter mm	Unit number	Dimensions (mm)			
		D	B	C	r <sub>min</sub>
20	F-UC204/LP99	47	31.0	17	1
25	F-UC205/LP99	52	34.1	17	1
30	F-UC206/LP99	62	38.1	19	1
35	F-UC207/LP99	72	42.9	20	1.5
40	F-UC208/LP99	80	49.2	21	1.5
45	F-UC209/LP99	85	49.2	22	1.5
50	F-UC210/LP99	90	51.6	24	1.5



	Dimensions (mm)			Basic load rating N		Mass of unit (Ref.)
	S	M	d1	Dynamic $C_r$	Static $C_{0r}$	kg
	12.7	4.5	29.6	9900	6650	0.17
	14.3	5	33.9	10800	7850	0.20
	15.9	5	40.8	15000	11300	0.33
	17.5	6	46.8	19700	15300	0.49
	19	8	53.0	22400	17800	0.65
	19	8	57.5	25200	20400	0.70
	19	9	62.4	27000	23300	0.80



# Life-Lube® Bearing Units

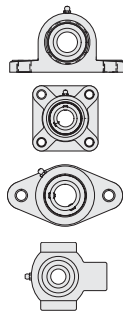


# Life-Lube® unit references

## Insert Type

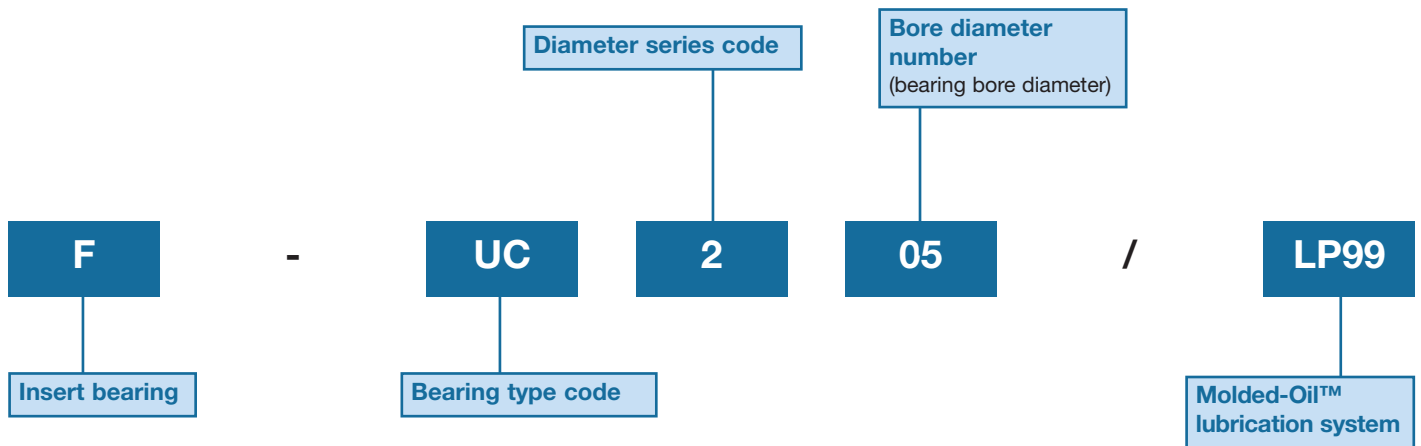


## Housing Type



Page	125
126	PNP/LP99
128	PSF/LP99
130	PSFT/LP99
132	PST/LP99

## Life-Lube® insert references



## Life-Lube® product range

### Introduction

The Life-Lube® series combine the corrosion resistant properties of Silver-Lube® housings with the excellent sealing and lubricating properties of Molded-Oil™ inserts. Life-Lube® units are specifically for use in industries where contact with water and process fluids is unavoidable, excellent chemical resistance is required and a longer lubrication life is necessary.

Life-Lube® units are available in pillow block, two-bolt flange, four-bolt flange and take-up unit configurations and are capable of accommodating initial misalignment from mounting errors. In operation, the units have proven reliability in the most hostile applications.

Life-Lube® housings are made from PBT thermoplastic resins which, in addition to being non-corrodible, are resistant to detergents and a wide range of chemicals. The housings are paint and coating free which prevents chipping or flaking and have smooth surfaces to assist in washdowns.

Life-Lube® bearing inserts are made from stainless steel which provides superior corrosion resistance. The inserts are lubricated with NSK's own oil impregnated polymer, Molded-Oil™. Oil slowly seeping from this material provides ample lubrication for the bearing for extended periods. The Molded-Oil™ solid lubricant resists contamination and water washout and does away with the need for relubrication. Stainless steel flingers and nitrile rubber seals are fitted as standard.

### Housing strength

Housing load carrying capacity varies depending on the application loading regime, which may be intermittent, continuous or cyclical. Maximum housing loads are given in tables 1, 2, 3 and 4. These loads must not be exceeded without prior consultation with NSK.

Published housing maximum load capacities do not allow for any reduction in housing strength caused by exposure of the housing to chemicals, water, steam, heat, ultraviolet light or any combination of these factors. If any of these factors are present in the application the designer or end-user must establish the effect of these exposures and reduce the published maximum housing load accordingly.

To maximise load carrying capacity it is recommended that washers are used with the fixing bolts. Tables 1, 2 and 3 also detail maximum fixing bolt tightening torques.

### Static electricity generation

Static electricity may be generated by Life-Lube® bearing units under certain application conditions.

Life-Lube® bearings are therefore not recommended for use in explosive or flammable environments. If Life-Lube® bearing units are used in flammable or explosive applications the bearing insert must be earthed.

# Housing strength

**Table 1 PNP Life-Lube® pillow block - housing load capacity**

RHP designation	Maximum housing load (N) at 20°C												Maximum fixing bolt torque (Nm)
	P1 Intermittent loading	P1 Continuous loading	P1 Cyclical loading	P2 Intermittent loading	P2 Continuous loading	P2 Cyclical loading	P3 Intermittent loading	P3 Continuous loading	P3 Cyclical loading	P4 Intermittent loading	P4 Continuous loading	P4 Cyclical loading	
PNP20/LP99	3500	1700	800	2800	1400	800	2600	1300	700	1300	700	400	18
PNP25/LP99	4000	2000	1000	3100	1500	800	2600	1300	700	1700	900	500	25
PNP30/LP99	5000	2500	1200	3500	1800	1000	4000	2000	1100	2600	1300	700	30
PNP35/LP99	6000	3000	1500	4300	2100	1200	4100	2100	1100	3200	1600	900	35
PNP40/LP99	10700	5300	2900	8000	4000	2200	6800	3400	1900	5200	2600	1400	40

**Table 2 PSF Life-Lube® four-bolt flange - housing load capacity**

RHP designation	Maximum housing load (N) at 20°C						Maximum fixing bolt torque (Nm)
	F1 Intermittent loading	F1 Continuous loading	F1 Cyclical loading	F2 Intermittent loading	F2 Continuous loading	F2 Cyclical loading	
PSF20/LP99	3100	1600	900	1300	700	400	18
PSF25/LP99	3500	1700	1000	1300	700	400	25
PSF30/LP99	4600	2300	1300	2200	1100	600	30
PSF35/LP99	6200	3100	1700	2600	1300	700	35
PSF40/LP99	6200	3100	1700	4000	2000	1100	40

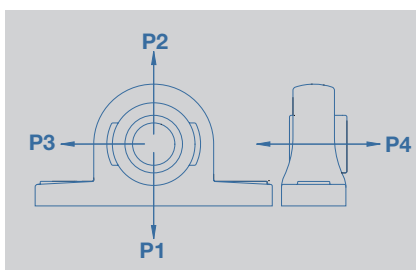
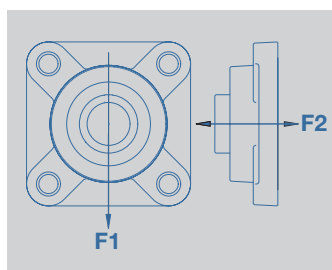
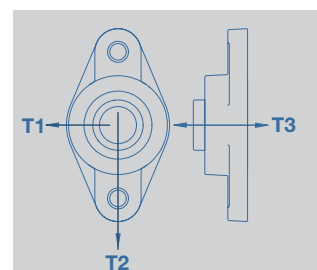
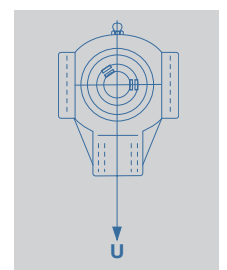
**Table 3 PSFT Life-Lube® two-bolt flange - housing load capacity**

RHP designation	Maximum housing load (N) at 20°C						Maximum housing load (N) at 20°C			Maximum fixing bolt torque (Nm)
	T1 Intermittent loading	T1 Continuous loading	T1 Cyclical loading	T2 Intermittent loading	T2 Continuous loading	T2 Cyclical loading	T3 Intermittent loading	T3 Continuous loading	T3 Cyclical loading	
PSFT20/LP99	4400	2200	1200	1900	900	500	1300	700	400	18
PSFT25/LP99	4400	2200	1200	3000	1500	800	1400	700	400	25
PSFT30/LP99	5900	2900	1600	3300	1600	900	2000	1000	500	30
PSFT35/LP99	6400	3200	1700	3900	2000	1100	2800	1400	800	35
PSFT40/LP99	9000	4500	2500	3900	2000	1100	3300	1600	900	40

**Table 4 PST Life-Lube® take-up - housing load capacity**

RHP designation	Maximum housing load (N) at 20°C		
	U Intermittent loading	U Continuous loading	U Cyclical loading
PST20/LP99	5700	2800	1600
PST25/LP99	5400	2700	1500
PST30/LP99	8100	4000	2300
PST35/LP99	7800	3900	2200
PST40/LP99	8100	4000	2300

Note that there is no maximum fixing bolt torque applicable for take-up units.


**PNP SERIES**

**PSF SERIES**

**PSFT SERIES**

**PST SERIES**



# Life-Lube® bearing inserts

Life-Lube® bearing inserts have martensitic stainless steel rings and balls, and austenitic stainless ball cage, flingers and set screws.

Life-Lube® bearing inserts are lubricated with NSK's own oil-impregnated material, Molded-Oil™. Molded-Oil™ consists of lubricating oil and polyolefin resin that has an affinity for oil. Oil slowly seeping from this material provides ample lubrication to the bearing for extended periods. Relubrication is not necessary for Life-Lube® Molded-Oil™ inserts.

## Recommended operating temperature and allowable speed

Molded-Oil™ inserts are recommended to operate from -15 to +80°C. However, operating temperature should be below +60°C when the bearing is operated under continuous use.

Allowable speed:

$dn$  value :  $12 \times 10^4$  max

( $dn$  = bore diameter in mm x speed in rpm)

Remarks: This recommended operating temperature range and allowable speed applies to all units with Molded-Oil™ inserts. Contact NSK when your application exceeds these recommendations.

## Materials

	Parts	Materials
Bearing	Bearing Rings	Martensitic stainless steel (equivalent to SUS440C)
	Ball	Martensitic stainless steel (equivalent to SUS440C)
	Flinger	Austenitic stainless steel (equivalent to SUS302)
	Seal	Nitrile rubber
	Set Screw	Martensitic stainless steel (equivalent to SUS410)
Bearing housing		Thermo Plastic PBT

## Set screw tightening torques

Set screws for Life-Lube® bearing inserts are manufactured from stainless steel and can fracture if overtightened. The limiting set screw torques listed in Table 5 should not be exceeded.

**Table 5 Recommended tightening torques for set screws**

Insert designation	Designation of set screws	Maximum tightening torques (Nm)
F-UC204/LP99	M5 x 0.8	3.9
F-UC205/LP99	M5 x 0.8	3.9
F-UC206/LP99	M6 x 0.75	4.9
F-UC207/LP99	M6 x 0.75	5.8
F-UC208/LP99	M8 x 1	7.8

## Inner ring tolerances

Units:  $\mu\text{m}$

Nominal bore diameter $d$		Bore diameter				Width		Radial runout (ref.)
over mm	Incl. mm	$\Delta d_{mp}$ deviations		$\Delta V_{dp}$ variations	$\Delta B_s$ deviations		max	
		high	low	max	high	low		
18	31.750	+18	0	12	0	-120	18	
31.750	50.800	+21	0	14	0	-120	20	

$\Delta d_{mp}$  : Mean bore diameter deviation.

$\Delta V_{dp}$  : Bore diameter variation.

$\Delta B_s$  : Inner ring width deviation.

## Outer ring tolerances

Units:  $\mu\text{m}$

Nominal outside diameter $D$		$\Delta D_m$ deviations		Radial runout (ref.)
over mm	Incl. mm			max
		high	low	
30	50	0	-11	20
50	80	0	-13	25
80	120	0	-15	35

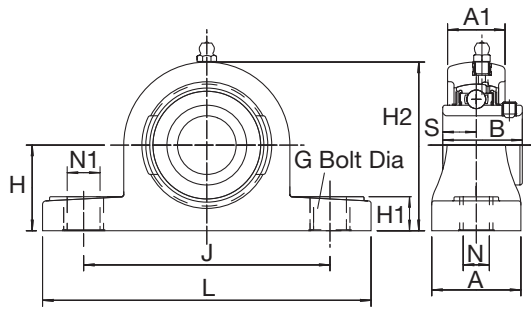
$\Delta D_m$  : Mean outside diameter deviation.

The lower deviation figure of  $\Delta D_m$  does not apply within a distance of  $\frac{1}{4}$  the width of the outer ring from either side.

# Unit dimensions

**Table 1**  
**PNP/LP99 Life-Lube® pillow block - unit dimensions**

Shaft diameter mm	RHP designation	Basic insert	Housing group	Dimensions (mm)			
				L	H	H1	H2
20	PNP20/LP99	F-UC204/LP99	2	127.2	33.3	14.2	65.9
25	PNP25/LP99	F-UC205/LP99	3	140.2	36.5	14.5	71.9
30	PNP30/LP99	F-UC206/LP99	4	162.2	42.9	17.8	83.9
35	PNP35/LP99	F-UC207/LP99	5	167.2	47.6	18.0	94.9
40	PNP40/LP99	F-UC208/LP99	6	184.2	49.2	19.5	98.9



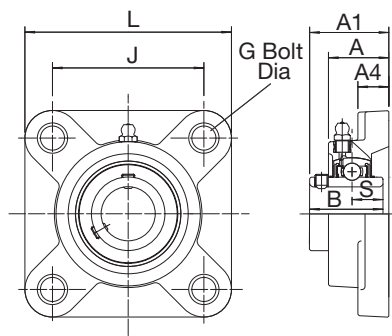
PNP/LP99 SERIES

	Dimensions (mm)								Weight
	J	N	N1	G	A	A1	B	S	kg
	94.9	11	14.2	M10	37.8	22.5	31.0	12.7	0.27
	104.9	11	14.2	M10	37.8	24.5	34.0	14.3	0.39
	118.9	14	18.2	M12	45.8	27.0	38.1	15.9	0.52
	126.9	14	18.2	M12	47.8	32.5	42.9	17.5	0.72
	136.8	14	18.2	M12	53.8	36.0	49.2	19.0	0.99

# Unit dimensions

Table 2  
PSF/LP99 Life-Lube® four-bolt flange - unit dimensions

Shaft diameter mm	RHP designation	Basic insert	Housing group	Dimensions (mm)		
				L	J	G
20	PSF20/LP99	F-UC204/LP99	2	86.5	63.5	M10
25	PSF25/LP99	F-UC205/LP99	3	95.0	70.0	M10
30	PSF30/LP99	F-UC206/LP99	4	107.5	83.0	M12
35	PSF35/LP99	F-UC207/LP99	5	117.5	92.0	M12
40	PSF40/LP99	F-UC208/LP99	6	130.5	102.0	M12



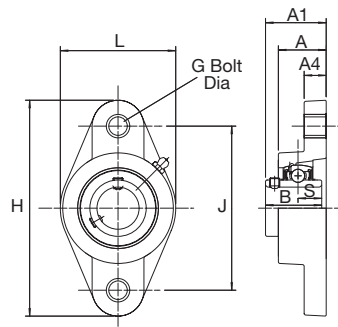
PSF/LP99 SERIES

	Dimensions (mm)					Weight
	A	A1	A4	B	S	kg
	27.8	36.3	13.4	31.0	12.7	0.28
	27.9	36.7	14.3	34.0	14.3	0.34
	31.5	41.4	14.3	38.1	15.9	0.50
	34.8	46.9	15.5	42.9	17.5	0.74
	37.5	53.2	17.1	49.2	19.0	0.99

# Unit dimensions

**Table 3**  
**PSFT/LP99 Life-Lube® two-bolt flange - unit dimensions**

Shaft diameter mm	RHP designation	Basic insert	Housing group	Dimensions (mm)		
				L	H	J
20	PSFT20/LP99	F-UC204/LP99	2	64.1	113.3	90.0
25	PSFT25/LP99	F-UC205/LP99	3	68.4	130.3	99.0
30	PSFT30/LP99	F-UC206/LP99	4	80.1	148.3	117.0
35	PSFT35/LP99	F-UC207/LP99	5	90.1	163.3	130.0
40	PSFT40/LP99	F-UC208/LP99	6	100.1	175.3	144.0



PSFT/LP99 SERIES

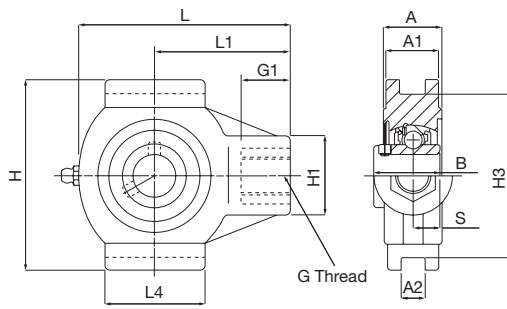
	Dimensions (mm)						Weight
	G	A	A1	A4	B	S	kg
	M10	26.5	33.7	11.4	31.0	12.7	0.24
	M10	29.1	36.7	13.4	34.0	14.3	0.30
	M10	30.5	41.2	13.4	38.1	15.9	0.44
	M12	32.8	43.4	16.1	42.9	17.5	0.64
	M12	37.5	51.7	20.0	49.2	19.0	0.89

# Unit dimensions

**Table 4**  
**PST/LP99 Life-Lube® take up - unit dimensions**

Shaft diameter mm	RHP designation	Basic insert	Housing group	Dimensions (mm)				
				L	L1	L4	H	H1
20	PST20/LP99	F-UC204/LP99	2	99.0	64.0	47.0	88.0	35.0
25	PST25/LP99	F-UC205/LP99	3	99.0	64.0	47.0	88.0	35.0
30	PST30/LP99	F-UC206/LP99	4	125.0	76.0	63.0	102.0	40.0
35	PST35/LP99	F-UC207/LP99	5	125.0	76.0	63.0	102.0	40.0
40	PST40/LP99	F-UC208/LP99	6	140.0	85.0	80.0	114.0	40.0





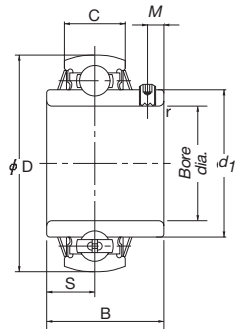
PST/LP99 SERIES

	Dimensions (mm)								Weight
	H3	G	G1	A	A1	A2	B	S	kg
	75.8	M16X2.00	22.5	27.5	24.5	12.2	31.0	12.7	0.32
	75.8	M16X2.00	22.5	27.5	24.5	12.2	34.0	14.3	0.36
	88.8	M16X2.00	22.5	34.5	30.0	12.2	38.1	15.9	0.53
	88.8	M16X2.00	22.5	34.5	30.0	12.2	42.9	17.5	0.74
	101.8	M16X2.00	22.5	34.0	32.0	16.2	49.2	19.0	1.00

# Life-Lube® insert bearing

Cylindrical bore, set screw type with Molded-Oil™

Shaft diameter mm	Unit number	Dimensions (mm)			
		D	B	C	r <sub>min</sub>
20	F-UC204/LP99	47	31	17	1
25	F-UC205/LP99	52	34.1	17	1
30	F-UC206/LP99	62	38.1	19	1
35	F-UC207/LP99	72	42.9	20	1.5
40	F-UC208/LP99	80	49.2	21	1.5
45	F-UC209/LP99	85	49.2	22	1.5



	Dimensions (mm)			Basic load rating		Mass (approx.)
	S	M	d1	Dynamic $C_r$ N	Static $C_{or}$ N	kg
	12.7	4.5	29.6	9900	6650	0.17
	14.3	5	33.9	10800	7850	0.20
	15.9	5	40.8	15000	11300	0.33
	17.5	6	46.8	19700	15300	0.49
	19	8	53.0	22400	17800	0.65
	19	8	57.5	25200	20400	0.70



# Special Products and Bearing Solutions



## Additional products

By design the Self-Lube® family of mounted units can be combined to form alternative ranges of insert and housing depending on customer requirements. This is relatively straightforward but NSK should always be consulted.

In addition NSK recognises the need for 'tailor made' solutions and is always willing to help customers who have a requirement for something out of the ordinary, commensurate with meeting certain price and volume criteria.

NSK has facilities to make special batches of product combinations such as:-

- Alternative Insert / Housing combinations
- Special grease types and grease fills
- Alternative seal combinations – flinger seals, triple lip seals and shields

Please contact NSK with your requirements.

### HLT Self-Lube®

HLT Self Lube® inserts are designed to operate reliably at extreme temperatures, with upper and lower limits of +180°C and – 40°C. HLT inserts are available across the entire Self-Lube range and all cast iron units are provided with a relubrication facility and grooves to accommodate the patented Self-Lube® protector.

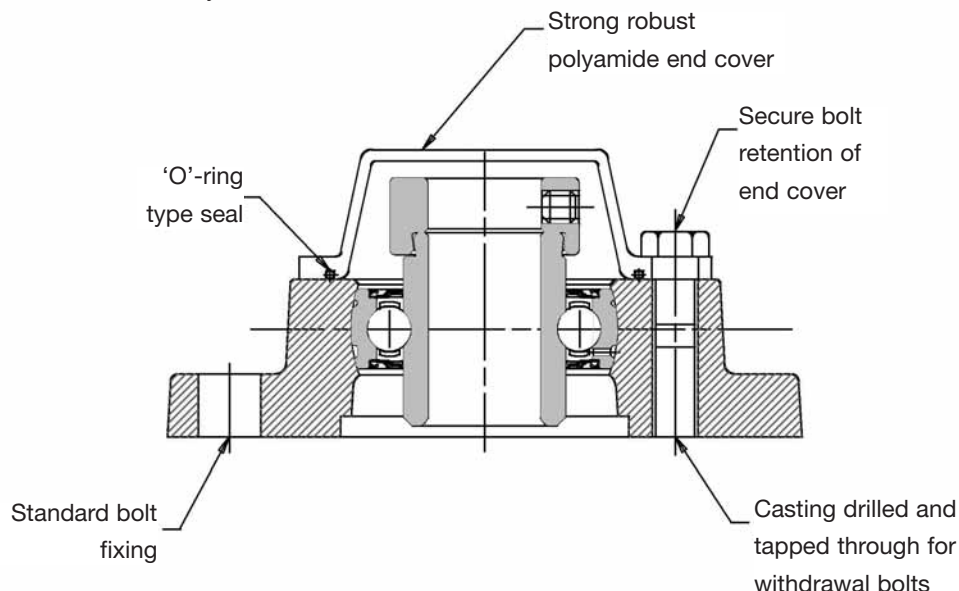
#### HLT Inserts have:-

- High strength steel cage
- Special internal geometry
- High performance Kluber grease
- Silicone seals
- Optional protector
- Relubrication facility

### Special Housing Options

Where there are requirements for original equipment NSK can design special housings to accommodate customers' requirements subject to volumes required.

A typical example of this is shown below.



## Interchange List



## Interchange list

Series reference	Manufacturer	RHP and NSK replacement bearing series		Series reference	Manufacturer	RHP and NSK replacement bearing series	
B	Asahi	1200G	RHP		Koyo, NSK	MP	RHP
B200	Asahi	AS200	RHP	UCTX	Asahi, FYH,		
B-B	Asahi	1200G	RHP		Koyo, NSK	MST	RHP
BF200	Asahi	SF-A	RHP	UCX	Asahi, FYH,		
BFC200	Asahi	FC-A	RHP		Koyo, NSK	1000G	RHP
BFL200	Asahi	SFT-A	RHP	UC200	Asahi, FYN,		
BLCTE200	Asahi	ASFD200	NSK		Koyo, Nachi,		
BP200	Asahi	NP-A	RHP		NBR, NSK, NTN	1000G	RHP
BPF	Asahi	SLFE-A	RHP	UCF200	Asahi, FYN,		
BPF200	Asahi	ASPF200	NSK		Koyo, Nachi,		
BPFL	Asahi	SLFL-A	RHP		NBR, NSK, NTN	SF	RHP
BPFL200	Asahi	ASPFL200	NSK	UCFL200	Asahi, FYN,		
BPP	Asahi	LPB-A	RHP		Koyo, Nachi,		
BPP200	Asahi	ASPP200	NSK		NBR, NSK, NTN	SFT	RHP
BT200	Asahi	ST-A	RHP	UCFX	Asahi, FYN,		
CS200ZZ	Asahi	CS200LLU	RHP		Koyo, NSK	MSF	RHP
FHFC200	Asahi	FC-EC	RHP	UCLFX	Asahi, FYN,		
FHLCTE200	Asahi	AELFD200	NSK		Koyo, NSK	MSFT	RHP
FHFP200	Asahi	AELPF200	NSK	FG200ER(U)	Asahi, Nachi	1000DECG	RHP
FHPFL200	Asahi	AELPFL200	NSK	FGAK200	Asahi, Nachi	SL-DEC	RHP
FHR200ER(U)	Asahi	1300EC	RHP	FH200ER(U)	Asahi, Nachi	1200EC	RHP
FHT200	Asahi	ST-EC	RHP	FNR-R	BCA	SF-EC	RHP
KH200+ER	Asahi	AEL200	NSK	PNR-R	BCA	SL-EC	RHP
SER	Asahi	1100CG	RHP	PNR-RS	BCA	NP-EC	RHP
UC300	Asahi	UC300	NSK	PWG-R	BCA	SL-DEC	RHP
UCEH200	Asahi	UCHB200	NSK	PWG-RS	BCA	NP-DEC	RHP
UCF200	Asahi	UCF200	NSK	TNR-R	BCA	SFT-EC	RHP
UCFC200	Asahi	UCFC200	NSK	FB220	Browning	SF-EC	RHP
UCFCX00	Asahi	UCFCX00	NSK	FB230	Browning	SFT-EC	RHP
UCFK200	Asahi	UCFH200	NSK	FB250	Browning	SF	RHP
UCFL200	Asahi	UCFL200	NSK	FB260	Browning	SFT	RHP
UCFLX00	Asahi	UCFLX00	NSK	FB350	Browning	MSF	RHP
UCFX00	Asahi	UCFX00	NSK	PB220	Browning	SL-EC	RHP
UCLF200(U)	Asahi	SF	RHP	PB221	Browning	NP-EC	RHP
UCLP200(U)	Asahi	SL	RHP	PB250	Browning	SL	RHP
UCP200	Asahi	UCP200	NSK	PB251	Browning	NP	RHP
UCPA200	Asahi	UCUP200	NSK	PB350	Browning	MP	RHP
UCPX00	Asahi	UCPX00	NSK	1000KRR	Fafnir	1100DEC	RHP
UCST200(U)	Asahi	ST	RHP	200NPPB	Fafnir	1726200-2RS	RHP
UCT200	Asahi	UCT200	NSK	FLCTE	Fafnir	LFTC-EC	RHP
UCW200	Asahi	1000G	RHP	GC-KRRB	Fafnir	1000G	RHP
UD200EEA	Asahi	1200ECG	RHP	GC-KRRG2	Fafnir	1100CG	RHP
UDF200A	Asahi	SF-EC	RHP	GE-KPPB	Fafnir	T1000DECG	RHP
UDFL200B	Asahi	SFT-EC	RHP	GE-KRRB	Fafnir	1000DECG	RHP
UDT200A	Asahi	NP-EC	RHP	G-KPPB3	Fafnir	T1000DECG	RHP
UDT200B	Asahi	ST-EC	RHP	GLCTE	Fafnir	LFTC-EC	RHP
UG200+ER	Asahi	UEL200	NSK	GRAE-NPPB	Fafnir	1200ECG	RHP
UGF200	Asahi	UELF200	NSK	GW208PPB5	Fafnir	1/PDNF240/9G	RHP
UGFC200	Asahi	UELFC200	NSK	GW208PPB6	Fafnir	1/PDNF240/8G	RHP
UGFL200	Asahi	UELFL200	NSK	GW208PPB8	Fafnir	PDNF240/9G	RHP
UGP200	Asahi	UEL200	NSK	GW209PPB11	Fafnir	28/DNF245-45G	RHP
UGT200	Asahi	UELT200	NSK	GW209PPB2	Fafnir	PDNF145-45G	RHP
UH200UR(U)	Asahi	1200EC	RHP	GW209PPB5	Fafnir	PDNF245/10G	RHP
UHF200	Asahi	SF-EC	RHP	GW209PPB8	Fafnir	DNF245/10G	RHP
UHFL200	Asahi	SFT-EC	RHP	GW210PP4	Fafnir	PDF150/9G	RHP
UHP200	Asahi	NP-EC	RHP	GW210PPB2	Fafnir	PDNF150-1.15/16G	RHP
UHPP200	Asahi	AELPP200	NSK	GW210PPB4	Fafnir	PDNF150/9G	RHP
UK200	Asahi	UK200	NSK	GW211PP2	Fafnir	PDF155-2.3/16G	RHP
UCP200	Asahi, FYH, Koyo, Nachi,			GW211PP3	Fafnir	PDF155/12G	RHP
	NBR, NSK, NTN	NP	RHP	PASE	Fafnir	NP-EC	RHP
UCT200	Asahi, FYH, Koyo, Nachi,			PB	Fafnir	LPB-EC	RHP
	NBR, NSK, NTN	ST	RHP	PCF	Fafnir	SF-EC	RHP
UCPX	Asahi, FYH,			PCFT	Fafnir	SFT-EC	RHP
				PHE	Fafnir	SCH-EC	RHP
				PMNE	Fafnir	FC-EC	RHP



## Interchange list

Series reference	Manufacturer	RHP and NSK replacement bearing series		Series reference	Manufacturer	RHP and NSK replacement bearing series	
PSHE	Fafnir	SNP-EC	RHP	W208PPB4	Fafnir	PDFN140-1.3/16	RHP
PTUE	Fafnir	ST-EC	RHP	W208PPB5	Fafnir	2/DNF240/9	RHP
RA	Fafnir	SLFE-EC	RHP	W208PPB6	Fafnir	2/DNF240/8	RHP
RAE..NPP	Fafnir	1300EC	RHP	W208PPB7	Fafnir	2/DNF140-1.3/16	RHP
RAKC	Fafnir	SL	RHP	W208PPB8	Fafnir	PDFN240/9	RHP
RAKHP	Fafnir	MP	RHP	W208PPB9	Fafnir	PDFN240/8	RHP
RASC	Fafnir	NP	RHP	W209PPB2	Fafnir	PDFN145-45	RHP
RASE	Fafnir	NP-DEC	RHP	W209PPB4	Fafnir	28/PDFN145-1.1/2	RHP
RAT	Fafnir	SLFL-EC	RHP	W209PPB5	Fafnir	PDFN245/10	RHP
RATR	Fafnir	SLFT-EC	RHP	W209PPB8	Fafnir	DNF245/10	RHP
RC	Fafnir	SLC-DEC	RHP	W210PP2	Fafnir	PDF150-1.15/16	RHP
RCC	Fafnir	SLC	RHP	W210PP4	Fafnir	PDF150/9	RHP
RCE	Fafnir	SLC-DEC	RHP	W210PPB2	Fafnir	PDFN150-1.15/16	RHP
RCHP	Fafnir	MSC	RHP	W210PPB4	Fafnir	PDFN150/9	RHP
RCJ	Fafnir	SF-DEC	RHP	W210PPB5	Fafnir	5/PDFN150-1.3/4	RHP
RCJHP	Fafnir	MSF	RHP	W210PPB6	Fafnir	PDFN250/9	RHP
RCJSP	Fafnir	SF	RHP	W211PP2	Fafnir	PDF155-2.3/16	RHP
RCJT	Fafnir	SFT-DEC	RHP	W211PP3	Fafnir	PDF155/12	RHP
RCJTC	Fafnir	SFT	RHP	W211PPB2	Fafnir	PDFN155-2.3/16	RHP
RCJTE	Fafnir	SFT-DEC	RHP	W211PPB3	Fafnir	PDFN155/12	RHP
RCJTHP	Fafnir	MSFT	RHP	200NPPB	Fafnir, INA	1726200-2RS	RHP
RCJTP	Fafnir	SFT	RHP	GE-KPPB3	Fafnir, INA	T1000DECG	RHP
RFC	Fafnir	MFC	RHP	G-KRRB	Fafnir, INA	1000DECG	RHP
RFHP	Fafnir	MFC	RHP	GRA-NPPB	Fafnir, INA	1200ECG	RHP
RHCM	Fafnir	SCHB	RHP	PB	Fafnir, INA	LPB-EC	RHP
RHE	Fafnir	SCH-DEC	RHP	RAE-NPPB	Fafnir, INA	1200EC	RHP
RMNE	Fafnir	FC-DEC	RHP	RAK	Fafnir, INA	SL-DEC	RHP
RMNEY	Fafnir	FC	RHP	RA-NPP	Fafnir, INA	1300EC	RHP
RPB	Fafnir	LPBR-EC	RHP	RA-NPPB	Fafnir, INA	1200EC	RHP
RR	Fafnir	SLFE-DEC	RHP	RSHE	Fafnir, INA	SNP-DEC	RHP
RRC	Fafnir	SLFE	RHP	TC-J	Fafnir, INA	TSF-DEC	RHP
RRT	Fafnir	SLFL-DEC	RHP	TCJT	Fafnir, INA	TSFT-DEC	RHP
RRTR	Fafnir	SLFT-DEC	RHP	36200	FAG	1000DECG	RHP
RSHE	Fafnir	SNP-DEC	RHP	56200	FAG	1000G	RHP
RTUE	Fafnir	ST-DEC	RHP	76200	FAG	1726200-2RS	RHP
RTUHP	Fafnir	MST	RHP	76200B.2RSR	FAG	1726200-2RS	RHP
RTUP	Fafnir	ST	RHP	FB16200	FAG	SLFE-EC	RHP
TAS	Fafnir	TNP-DEC	RHP	FB56200	FAG	SLFE	RHP
TASE	Fafnir	TNP-DEC	RHP	FG16200	FAG	SF-EC	RHP
TCJ	Fafnir	TSF-DEC	RHP	FG56200	FAG	SF	RHP
TCJT	Fafnir	TSFT-DEC	RHP	H	FAG	H	RHP
THE	Fafnir	TSCH-DEC	RHP	KM	FAG	AN	RHP
TMNE	Fafnir	TFC-DEC	RHP	SB16200	FAG	LPB-EC	RHP
TMNE	Fafnir	TFC-DEC	RHP	SC16200	FAG	NP-EC	RHP
TSHE	Fafnir	TSNP-DEC	RHP	SG36200	FAG	NP-DEC	RHP
TTUE	Fafnir	TST-DEC	RHP	SG56200	FAG	NP	RHP
VAK	Fafnir	SL-EC	RHP	E200	FYH	1100CG	RHP
VAK	Fafnir	SL-EC	RHP	NA200	FYH	1000DECG	RHP
VAS	Fafnir	NP-EC	RHP	NANF200	FYH	SF-DEC	RHP
VAS	Fafnir	NP-EC	RHP	NANFL200	FYH	SFT-DEC	RHP
VCJ	Fafnir	SF-EC	RHP	NAP200	FYH	NP-DEC	RHP
VCJ	Fafnir	SF-EC	RHP	NASL200	FYH	SL-DEC	RHP
VCJT	Fafnir	SFT-EC	RHP	NAT-E	FYH	ST-DEC	RHP
VCJT	Fafnir	SFT-EC	RHP	RB200	FYH	1100	RHP
VMNE	Fafnir	FC-EC	RHP	SA200	FYH	1200EC	RHP
VMNE	Fafnir	FC-EC	RHP	SAA200	FYH	1300EC	RHP
VSHE	Fafnir	SNP-EC	RHP	SAF-FE	FYH	SF-EC	RHP
VSHE	Fafnir	SNP-EC	RHP	SAFL-FE	FYH	SFT-EC	RHP
W208PP10	Fafnir	36/DF140-1.1/2	RHP	SAP200	FYH	NP-EC	RHP
W208PP5	Fafnir	2/DF240/9	RHP	SAPP200	FYH	SLFE-EC	RHP
W208PP6	Fafnir	2/DF240/8	RHP	SAPP200F	FYH	LPB-A	RHP
W208PP8	Fafnir	PDF240/9	RHP	SASL200F	FYH	SL-EC	RHP
W208PP9	Fafnir	PDFN240/8	RHP	SBPF200	FYH	SLFL-A	RHP
W208PPB13	Fafnir	2/DNF240/7	RHP	SBPP200F	FYH	LPB-EC	RHP
W208PPB2	Fafnir	36/PDFN140-1.1/2	RHP	SC200	FYH	1726200-2RS	RHP

## Interchange list

Series reference	Manufacturer	RHP and NSK replacement bearing series		Series reference	Manufacturer	RHP and NSK replacement bearing series	
UCHA200	FYH	SCHB	RHP	RASE	INA	NP-DEC	RHP
UCS200N	FYH	1100CG	RHP	RASE..FA101T	INA	NP-HLT	RHP
UK200	FYH, Koyo, Nachi, NBR, NSK, NTN	1000-KG	RHP	RASEA	INA	NP1000KG	RHP
UKP200	FYH, Koyo, Nachi, NBR, NSK, NTN	RHP		RASEY	INA	NP	RHP
UCPA200	FYH, Koyo, NSK	SNP	RHP	RASEY..TN VA	INA	PNP-CR	RHP
UCF200	FYH, Koyo, NSK, NTN	FC	RHP	RAT	INA	SLFL-EC	RHP
UKT200	FYH, Koyo, NSK, NTN	MST1000-K	RHP	RATR	INA	SLFT-EC	RHP
UKF200	FYH, Nachi, NBR, NSK, NTN	MSF1000-K	RHP	RATRY	INA	SLFT-A	RHP
UKFL200	FYH, Nachi, NBR, NSK, NTN	MSFT1000-K	RHP	RATY	INA	SLFL-A	RHP
SB200	FYH, NBR	1200G	RHP	RAY	INA	SLFE-A	RHP
EW	Hoffmann, Pollard	FT	RHP	RB	INA	LPB-DEC	RHP
RMS	Hoffmann, Pollard	MRJ	RHP	RBV	INA	LPB	RHP
2-NPPB	INA	1726200-2RS	RHP	RCJ	INA	SF-DEC	RHP
E..KRR	INA	1100DEC	RHP	RCJ..FA101T	INA	SF-HLT	RHP
E-KRR	INA	1100DEC	RHP	RCJT	INA	SFT-DEC	RHP
FLCTE	INA	LFTC-EC	RHP	RCJT..FA101T	INA	SFT-HLT	RHP
FLCTE / GLCTE	INA	LFTC-EC	RHP	RCJTA	INA	SFT1000KG	RHP
FLCTEY	INA	LFTC-A	RHP	RCJTY	INA	SFT	RHP
G..KRRBW	INA	1000DEC	RHP	RCJY	INA	SF	RHP
GAY-NPPB	INA	1200G	RHP	RCJY..TN VA	INA	PSF-CR	RHP
GE..KRRB FA101T	INA	1000DECGHLT	RHP	RHE	INA	SCH-DEC / SCHB-DEC	RHP
GE..KRRB-CC	INA	1000DECGFS	RHP	RHEY	INA	SCH/SCHB	RHP
GE-KPPB3	INA	T1000DECG	RHP	RME	INA	FC-DEC	RHP
GE-KRRB	INA	1000DECG	RHP	RMEY	INA	FC	RHP
GLCTE	INA	LFTC-EC	RHP	RR	INA	SLFE-DEC	RHP
GLCTEY	INA	LFTC-A	RHP	RRT	INA	SLFL-DEC	RHP
GRA..NPPBW	INA	1200ECG	RHP	RRTR	INA	SLFT-DEC	RHP
GRAE-NPPB	INA	1200ECG	RHP	RRTY	INA	SLFL	RHP
GSH-RRB	INA	1000KG	RHP	RRY	INA	SLFE	RHP
GY..KRRBW	INA	1000G	RHP	RSHE	INA	SNP-DEC	RHP
GYE..KRRB VA	INA	J1000GCR	RHP	RSHEY	INA	SNP	RHP
GYE-KRRB	INA	1000G	RHP	RTT	INA	TSLFL-DEC	RHP
GY-KRRB	INA	1000G	RHP	RTTR	INA	TSLFT-DEC	RHP
PAK	INA	SL-EC	RHP	RTUE	INA	ST-DEC	RHP
PAKY	INA	SL-EC	RHP	RTUEY	INA	ST	RHP
PASE	INA	NP-EC	RHP	TASE	INA	TNP-DEC	RHP
PASEY	INA	NP-A	RHP	TASE	INA	TNP-DEC	RHP
PB	INA	LPB-EC	RHP	TB	INA	TLPB-DEC	RHP
PBY	INA	LPB-A	RHP	TCJ	INA	TSF-DEC	RHP
PCJ	INA	SF-EC	RHP	TCJT	INA	TSFT-DEC	RHP
PCJT	INA	SFT-EC	RHP	TCJTY..TN VA	INA	PSFT-CR	RHP
PCJTY	INA	SFT-A	RHP	THE	INA	TSCH-DEC / TSCHB-DEC	RHP
PCJY	INA	SF-A	RHP	TME	INA	TFC-DEC	RHP
PHE	INA	SCH-EC / SCHB-EC	RHP	TME	INA	TFC-DEC	RHP
PHEY	INA	SCH-A / SCHB-A	RHP	TR	INA	TSLFE-DEC	RHP
PHUSE	INA	BT-EC+ BTHF	RHP	TSHE	INA	TSNP-DEC	RHP
PME	INA	FC-EC	RHP	TSHE	INA	TSNP-DEC	RHP
PMEY	INA	FC-A	RHP	TTUE	INA	TST-DEC	RHP
PSHE	INA	SNP-EC	RHP	TTUE	INA	TST-DEC	RHP
PSHEY	INA	SNP-A	RHP	YE-KRR	INA	1100	RHP
PTUE	INA	ST-EC	RHP	Y-KRR	INA	1100	RHP
PTUEY	INA	ST-A	RHP	GB200	Koyo	172620000-2RS	RHP
RA	INA	SLFE-EC	RHP	GA1100-2RSB	Koyo	1000DECG	RHP
RA..NPPW	INA	1300EC	RHP	GAP1100B	Koyo	NP-EC	RHP
RACEY	INA	NP	RHP	GAPL1100B	Koyo	SL-DEC	RHP
RAE..NPP	INA	1300EC	RHP	GARA100-2RSA	Koyo	1200ECG	RHP
RAKY	INA	SL	RHP	GARAF100A	Koyo	SF-EC	RHP
				GARAF100A	Koyo	SFT-EC	RHP
				GARAP100A	Koyo	NP-EC	RHP
				GARAPL100A	Koyo	SL-EC	RHP
				GGF1100B	Koyo	SF-DEC	RHP
				GFFL1100B	Koyo	SFT-DEC	RHP
				HFC	Koyo	MFC	RHP
				HV-(M)	Koyo	MST	RHP
				LC	Koyo	SLC	RHP

## Interchange list

Series reference	Manufacturer	RHP and NSK replacement bearing series		Series reference	Manufacturer	RHP and NSK replacement bearing series	
LV-(M)	Koyo	ST	RHP	EWT200	NSK	ST-DEC	RHP
PB	Koyo	1200G	RHP	GEM200	NSK	1200ECG	RHP
PF-A	Koyo	SLFE-EC	RHP	GEMTR200J	NSK	ST-EC	RHP
PF-M	Koyo	SLFE	RHP	UB200	NSK	1200G	RHP
PFT1100B	Koyo	SLFE-DEC	RHP	UBF200	NSK	SF-A	RHP
RA100	Koyo	1200EC	RHP	UBFC200	NSK	FC-A	RHP
SCHB	Koyo	SCHB	RHP	UBFD200	NSK	LFTC-A	RHP
SP	Koyo	LPB-A	RHP	UBFL200	NSK	SFT-A	RHP
SP100A	Koyo	LPB-EC	RHP	UBP200	NSK	NP-A	RHP
F3Y200N	Link Belt	SF-DEC	RHP	UBPD200	NSK	SNP-A	RHP
FX3Y200N	Link Belt	SFT-DEC	RHP	UBPF200	NSK	SLFE-A	RHP
P3Y200N	Link Belt	NP-DEC	RHP	UBPP200	NSK	LPBR-A	RHP
PL3Y200N	Link Belt	SL-DEC	RHP	UCEH200	NSK	SCHB	RHP
C25	McGill	NP	RHP	AEL200	NTN	1200ECG	RHP
C35	McGill	MP	RHP	AEL200	NTN	AEL200	NSK
CL25	McGill	SL	RHP	AELF200	NTN	SF-EC	RHP
FC2-25	McGill	SFT	RHP	AELFC200	NTN	FC-EC	RHP
FC2-35	McGill	MSFT	RHP	AELFD200	NTN	AELFD200	NSK
FC4-25	McGill	SF	RHP	AELFL200	NTN	SFT-EC	RHP
FC4-35	McGill	MSF	RHP	AELP200	NTN	NP-EC	RHP
ER	McGill, Sealmaster	1100CG	RHP	AELPF200	NTN	SLFE-EC	RHP
BPF-B	Nachi	SLFE-A	RHP	AELPF200	NTN	AELPF200	NSK
BPP-B	Nachi	LPB-A	RHP	AELPFL200	NTN	AELPFL200	NSK
FHPR200	Nachi	LPBR-EC	RHP	AELPL200	NTN	SL-EC	RHP
SA200	NBR	1200ECG	RHP	AELPP200	NTN	LPB-EC	RHP
SAFL200	NBR	SLFL-EC	RHP	AELPP200	NTN	AELPP200	NSK
SAP200	NBR	LPB-EC	RHP	AELPW200	NTN	SNP-EC	RHP
SAY200	NBR	SLFE-EC	RHP	AELRPP200	NTN	LPBR-EC	RHP
SBF200	NBR	SLFE-A	RHP	AELS200	NTN	1300EC	RHP
SBFL200	NBR	SLFL-A	RHP	AELT200	NTN	ST-EC	RHP
SBP200	NBR	LPB-A	RHP	AS200	NTN	1200G	RHP
2FE	NDH	SFT-EC	RHP	AS200	NTN	AS200	NSK
2FS	NDH	SFT	RHP	ASF200	NTN	SF-A	RHP
4FE	NDH	SF-EC	RHP	ASFC200	NTN	FC-A	RHP
4FS	NDH	SF	RHP	ASFD200	NTN	LFTC-A	RHP
HPE	NDH	NP-EC	RHP	ASFD200	NTN	ASFD200	NSK
HPS	NDH	NP	RHP	ASFL200	NTN	SFT-A	RHP
PE	NDH	SL-EC	RHP	ASFW200	NTN	LFTC-A	RHP
PS	NDH	SL	RHP	ASP200	NTN	NP-A	RHP
R2FE	NDH	SFT-EC	RHP	ASPF200	NTN	SLFE-A	RHP
R2FS	NDH	SFT	RHP	ASPF200	NTN	ASPF200	NSK
R4FE	NDH	SF-EC	RHP	ASPFL200	NTN	ASPFL200	NSK
R4FS	NDH	SF	RHP	ASPL200	NTN	SL	RHP
RHPE	NDH	NP-EC	RHP	ASPP200	NTN	LPB-A	RHP
RHPS	NDH	NP	RHP	ASPP200	NTN	ASPP200	NSK
RPE	NDH	SL-EC	RHP	ASPW200	NTN	SNP-A	RHP
RPS	NDH	SL	RHP	AST200	NTN	ST-A	RHP
CS-DDU	NSK	1726200-2RS	RHP	CS200LLU	NTN	CS200LLU	RHP
EM200	NSK	1200EC	RHP	CS-LLU	NTN	1726200-2RS	RHP
EMR200	NSK	1300EC	RHP	UC300	NTN	UC300	NSK
EN200	NSK	1200EC	RHP	UCF200	NTN	UCF200	NSK
ENFL200	NSK	SFT-EC	RHP	UCF300	NTN	UCF300	NSK
ENP200	NSK	NP-EC	RHP	UCFC200	NTN	UCFC200	NSK
ENPF200	NSK	SLFE-EC	RHP	UCFC300	NTN	UCFC300	NSK
ENPP200	NSK	LPB-EC	RHP	UCFCX00	NTN	UCFCX00	NSK
ENPPR200	NSK	LPBR-EC	RHP	UCFH200	NTN	UCFH200	NSK
ENR200	NSK	1300EC	RHP	UCFL200	NTN	UCFL200	NSK
EW200	NSK	1000DECG	RHP	UCFL300	NTN	UCFL300	NSK
EWFC200	NSK	FC-DEC	RHP	UCFLX00	NTN	UCFLX00	NSK
EWFH200	NSK	SF-DEC	RHP	UCFX00	NTN	UCFX00	NSK
EWFL200	NSK	SFT-DEC	RHP	UCHB	NTN	SCHB	RHP
EWFLH200	NSK	TSFT-DEC	RHP	UCHB200	NTN	UCHB200	NSK
EWP200	NSK	NP-DEC	RHP	UCP200	NTN	UCP200	NSK
EWPA200	NSK	SNP-DEC	RHP	UCP300	NTN	UCP300	NSK
EWPLL200	NSK	SL-DEC	RHP	UCPX00	NTN	UCPX00	NSK

## Interchange list

Series reference	Manufacturer	RHP and NSK replacement bearing series		Series reference	Manufacturer	RHP and NSK replacement bearing series	
UCS200	NTN	1100	RHP	FYGF-FJ	SKF	FC-EC	RHP
UCT200	NTN	UCT200	NSK	FYGF-SD	SKF	FC	RHP
UCT300	NTN	UCT300	NSK	FYGF-W	SKF	FC-DEC	RHP
UCTX00	NTN	UCTX00	NSK	FYJ-FM	SKF	SF-EC	RHP
UCUP200	NTN	UCUP200	NSK	FYJ-RM	SKF	SF-A	RHP
UCX00	NTN	UCX00	NSK	FYJ-TF	SKF	UCF200	RHP
UEL200	NTN	1000DECG	RHP	FYJ-WF	SKF	UELF200	RHP
UEL200	NTN	UEL200	NSK	FYK..TH/GFA	SKF	PSF-CR	RHP
UELF200	NTN	SF-DEC	RHP	FY-RM	SKF	SF-A	RHP
UELF200	NTN	UELF200	NSK	FY-S	SKF	SF	RHP
UELFC200	NTN	FC-DEC	RHP	FYTB-CB	SKF	SFT-EC	RHP
UELFC200	NTN	UELFC200	NSK	FYTB-FJ	SKF	SFT-EC	RHP
UELFL200	NTN	SFT-DEC	RHP	FYTB-FM	SKF	SFT-EC	RHP
UELFL200	NTN	UELFL200	NSK	FYTBJ-FM	SKF	SFT-EC	RHP
UELP200	NTN	NP-DEC	RHP	FYTBJ-RM	SKF	SFT-A	RHP
UELP200	NTN	UELP200	NSK	FYTBJ-TF	SKF	UCFL200	RHP
UELPL200	NTN	SL-DEC	RHP	FYTBJ-WF	SKF	UELFL200	RHP
UELPW200	NTN	SNP-DEC	RHP	FYTBK..TH/GFA	SKF	PSFT-CR	RHP
UELS200	NTN	1100DEC	RHP	FYTB-L(D)	SKF	SFT	RHP
UELT200	NTN	ST-DEC	RHP	FYTB-RM	SKF	SFT-A	RHP
UELT200	NTN	UELT200	NSK	FYTB-S(D)	SKF	SFT	RHP
UK200	NTN	UK200	NSK	FYTB-TF	SKF	SFT	RHP
RMS-E	Pollard	MMRJ	RHP	FYTB-TM	SKF	SFT	RHP
KLNJ	R&M	KLNJ	RHP	FYTB-W(M)	SKF	SFT-DEC	RHP
KLNJ-D	R&M	KLNJ-Z	RHP	FYTB-WF	SKF	SFT-DEC	RHP
KLNJ-DD	R&M	KLNJ-2Z	RHP	FY-TF	SKF	SF	RHP
KLNJ-WSR	R&M	KLNJ-2RS	RHP	FYTF-FJ	SKF	LFTC-EC	RHP
630300	RIV	1000G	RHP	FY-TM	SKF	SF	RHP
5300	Sealmaster	1000G	RHP	FY-WM	SKF	SF-DEC	RHP
5200('C)	Sealmaster	1000G	RHP	FY-X	SKF	SF-DEC	RHP
5300('C)	Sealmaster	1000G	RHP	H	SKF	H	RHP
MFC	Sealmaster	MFC	RHP	HA	SKF	HA	RHP
MP	Sealmaster	MP	RHP	HE	SKF	HE	RHP
MSC	Sealmaster	MSC	RHP	KM	SKF	AN	RHP
MSF	Sealmaster	MSF	RHP	MB	SKF	AW	RHP
MSFT	Sealmaster	MSFT	RHP	P-CA	SKF	LPB-EC	RHP
MST	Sealmaster	MST	RHP	PF-CA	SKF	SLFE-EC	RHP
NP	Sealmaster	NP	RHP	PFD-FM	SKF	SLFT-DEC	RHP
SCHB	Sealmaster	SCHB	RHP	PFD-FM	SKF	SLFT-EC	RHP
SFT	Sealmaster	SFT	RHP	PFD-RM	SKF	SLFT-A	RHP
SLG	Sealmaster	SL	RHP	PFD-TF	SKF	SLFT	RHP
SRP	Sealmaster	LPBR	RHP	PFD-TM	SKF	SLFT	RHP
SSF	Sealmaster	SLFE	RHP	PFD-WF	SKF	SLFT-DEC	RHP
SSP	Sealmaster	LPB	RHP	PFD-WM	SKF	SLFT-DEC	RHP
ST	Sealmaster	ST	RHP	PF-FM	SKF	SLFE-EC	RHP
TB	Sealmaster	CNP	RHP	P-FJ	SKF	LPB-EC	RHP
TB-'('C)	Sealmaster	CNP	RHP	PF-L(D)	SKF	SLFE	RHP
SC	Sealmaster	SLC	RHP	P-FM	SKF	LPB-EC	RHP
SF	Sealmaster	SF	RHP	PF-PA	SKF	SLFE-EC	RHP
173200	SKF	1200ECG	RHP	PF-RM	SKF	SLFE-A	RHP
173600	SKF	1200EC	RHP	PFT-CA	SKF	SLFE-EC	RHP
174600	SKF	1300EC	RHP	PF-TF	SKF	SLFE	RHP
477200	SKF	1000DECG	RHP	PFT-FM	SKF	SLFL-EC	RHP
479200	SKF	1000G	RHP	PF-TM	SKF	SLFE	RHP
1716200D-2LS	SKF	1300EC	RHP	PFT-RM	SKF	SLFL-A	RHP
1726200-2RS	SKF	1726200-2RS	RHP	PFT-TF	SKF	SLFL	RHP
1726200-2RS1	SKF	1726200-2RS	RHP	PFT-TM	SKF	SLFL	RHP
1726300-2RS1	SKF	1726300-2RS	RHP	PFT-W	SKF	SLFL-DEC	RHP
238200(D)-2LS	SKF	1200EC	RHP	PFT-WF	SKF	SLFL-DEC	RHP
413200(D)	SKF	1000G	RHP	PFT-WM	SKF	SLFL-DEC	RHP
FY-CB	SKF	SF-EC	RHP	PF-WF	SKF	SLFE-DEC	RHP
FYC-RM	SKF	FC-A	RHP	PF-WM	SKF	SLFE-DEC	RHP
FYC-TF	SKF	FC	RHP	P-L(D)	SKF	LPB	RHP
FYC-WM	SKF	FC-DEC	RHP	P-R-CA	SKF	LPBR-A	RHP
FY-FM	SKF	SF-EC	RHP	P-R-FA	SKF	LPBR-A	RHP

## Interchange list

Series reference	Manufacturer	RHP and NSK replacement bearing series		Series reference	Manufacturer	RHP and NSK replacement bearing series	
P-R-FJ	SKF	LPBR-A	RHP	CUC200	SNR	1100	RHP
P-R-L	SKF	LPBR	RHP	CUCS200	SNR	1300	RHP
P-RM	SKF	LPB-A or ASPP200	RHP	ES200	SNR	1200ECG	RHP
P-TF	SKF	LPB	RHP	ESC200	SNR	SLC-EC	RHP
P-TM	SKF	LPB	RHP	ESEHE200	SNR	SCH-EC	RHP
P-W	SKF	LPB-DEC	RHP	ESF200	SNR	SF-EC	RHP
P-WF	SKF	LPB-DEC	RHP	ESFC200	SNR	FC-EC	RHP
P-WM	SKF	LPB-DEC	RHP	ESFD	SNR	LFTC-EC	RHP
SY	SKF	NP	RHP	ESFL200	SNR	SFT-EC	RHP
SYB-FM	SKF	SL-EC	RHP	ESP200	SNR	NP-EC	RHP
SYB-L(D)	SKF	SL	RHP	ESPA200	SNR	SNP-EC	RHP
SYB-TM	SKF	SL	RHP	ESSP200	SNR	BT-EC	RHP
SYBWM	SKF	SL-DEC	RHP	EST200	SNR	ST-EC	RHP
SY-CB	SKF	NP-EC	RHP	EX200	SNR	1000DECG	RHP
SYF-FM	SKF	SNP-EC	RHP	EX200L3	SNR	T1000DECG8	RHP
SYFJ-FM	SKF	SNP-EC	RHP	EXC200	SNR	SLC-DEC	RHP
SYFJ-RM	SKF	SNP-A	RHP	EXEHE200	SNR	SCH-DEC	RHP
SYFJ-TF	SKF	UCUP200	NSK	EXF200	SNR	SF-DEC	RHP
SYFJ-WF	SKF	SNP-DEC	RHP	EXFC200	SNR	FC-DEC	RHP
SY-FM	SKF	NP-EC	RHP	EXP200	SNR	NP-DEC	RHP
SY-FM	SKF	NP-EC	RHP	EXPA200	SNR	SNP-DEC	RHP
SYF-RM	SKF	SNP-A	RHP	EXSP200	SNR	BT-DEC	RHP
SYF-TF	SKF	SNP	RHP	EXT200	SNR	ST-DEC	RHP
SYF-WF	SKF	SNP-DEC	RHP	GNP	SNR	PNP-CR	RHP
SYH-CB	SKF	SL-EC	RHP	GSF	SNR	PSF-CR	RHP
SYH-X	SKF	SL-DEC	RHP	GSFT	SNR	PSFT-CR	RHP
SYJ-FM	SKF	NP-EC	RHP	MUC..FD	SNR	J1000GCR	RHP
SYJ-RM	SKF	NP-A	RHP	SPR	SNR	BTHF	RHP
SYJ-TF	SKF	UCP200	NSK	UC200	SNR	1000G	RHP
SYJ-WF	SKF	UELP200	NSK	UC200L3	SNR	T1000G	RHP
SYK..TH/GFA	SKF	PNP-CR	RHP	UCC200	SNR	SLC	RHP
SY-RM	SKF	NP-A	RHP	UCEHE200	SNR	SCH	RHP
SY-TF	SKF	NP	RHP	UCF200	SNR	SF	RHP
SY-TM	SKF	NP	RHP	UCFC200	SNR	FC	RHP
SY-W	SKF	NP-DEC	RHP	UCFL200	SNR	SFT	RHP
SY-WF	SKF	NP-DEC	RHP	UCP200	SNR	NP	RHP
SY-WM	SKF	NP-DEC	RHP	UCPA200	SNR	SNP	RHP
TB	SKF	ST	RHP	UCSP200	SNR	BT	RHP
TB-CB	SKF	ST-EC	RHP	UCT200	SNR	ST	RHP
TB-X	SKF	ST-DEC	RHP	UK200	SNR	1000KG	RHP
TU-FJ	SKF	ST-EC	RHP	UKC200	SNR	SLC1000K	RHP
TU-FM	SKF	ST-EC	RHP	UKEHE200	SNR	SCH1000K	RHP
TU-FM	SKF	ST-EC	RHP	UKF200	SNR	SF1000K	RHP
TUJ-FM	SKF	ST-EC	RHP	UKFL200	SNR	SFT1000K	RHP
TUJ-RM	SKF	ST-A	RHP	UKP200	SNR	NP1000K	RHP
TUJ-TF	SKF	UCT200	NSK	UKPA200	SNR	SNP1000K	RHP
TUJ-WF	SKF	UFLT200	NSK	UKT200	SNR	ST1000K	RHP
TU-L(D)	SKF	ST	RHP	US200	SNR	1200G	RHP
TU-RM	SKF	ST-A	RHP	USC200	SNR	SLC-A	RHP
TU-S(D)	SKF	ST	RHP	USEHE200	SNR	SCH-A	RHP
TU-TF	SKF	ST	RHP	USF200	SNR	SF-A	RHP
TU-TM	SKF	ST	RHP	USFC200	SNR	FC-A	RHP
TU-WF	SKF	ST-DEC	RHP	USFD	SNR	LFTC-A	RHP
TU-WM	SKF	ST-DEC	RHP	USFL200	SNR	SFT-A	RHP
YAR2...2RF/HVGFA	SKF	J1000GCR	RHP	USP200	SNR	NP-A	RHP
YAR200	SKF	1000G	RHP	USPA200	SNR	SNP-A	RHP
YAR-2-2RF	SKF	1000GFS	RHP	USSP200	SNR	BT-A	RHP
YAR-2F	SKF	1000G	RHP	UST200	SNR	ST-A	RHP
YAT200	SKF	1200G	RHP	6200EES	Steyr	176200-2RS	RHP
YEL200	SKF	1000DECG	RHP				
YEL200-2F	SKF	1000DECG	RHP				
YET200	SKF	1200ECG	RHP				
YSA200-2FK	SKF	1000KG	RHP				
CES200	SNR	1300EC	RHP				
CEX200	SNR	1100DEC	RHP				



# Conversion Tables



# Conversion tables

## Comparison of SI, CGS and engineering units

Units	Length	Mass	Time	Temp.	Acceleration	Force	Stress	Pressure	Energy	Power
Unit system										
SI	m	kg	s	K, °C	m/s <sup>2</sup>	N	Pa	Pa	J	W
CGS System	cm	g	s	°C	Gal	dyn	dyn/cm <sup>2</sup>	dyn/cm <sup>2</sup>	erg	erg/s
Engineering unit system	m	kgf · s <sup>2</sup> /m	s	°C	m/s <sup>2</sup>	kgf	kgf/m <sup>2</sup>	kgf/m <sup>2</sup>	kgf · m	kgf · m/s

## Conversion factors from SI units

Parameter	SI Unit		Unit other than SI		Conversion factor from SI unit
	Names of unit	Symbol	Name of unit	Symbol	
Angle	Radian	rad	Degree	°	180/π
			Minute	'	10 800/π
			Second	''	648 000/π
Length	Metre	m	Micron	μ	10 <sup>6</sup>
			Angstrom	Å	10 <sup>10</sup>
Area	Square metre	m <sup>2</sup>	Are	a	10 <sup>-2</sup>
			Hectare	ha	10 <sup>-4</sup>
Volume	Cubic metre	m <sup>3</sup>	Litre	l, L	10 <sup>3</sup>
			Decilitre	dl, dL	10 <sup>4</sup>
Time	Second	s	Minute	min	1/60
			Hour	h	1/3 600
			Day	d	1/86 400
Frequency	Hertz	Hz	Cycle	s <sup>-1</sup>	1
Speed of Rotation	Revolution per second	s <sup>-1</sup>	Revolution per minute	rpm	60
Speed	Metre per second	m/s	Kilometre per hour	km/h	3 600/1 000
			Knot	kn	3 600/1 852
Acceleration	Metre per second per second	m/s <sup>2</sup>	Gravitational acceleration	G	1/9.806 65
Mass	Kilogram	kg	Tonne	te	10 <sup>-3</sup>
Mass	Kilogram	kg	Ton	t	9.842 x 10 <sup>-4</sup>
Force	Newton	N	Kilogram-force	kgf	1/9.806 65
			Ton-force	tf	1/ (9.806 65 x 10 <sup>3</sup> )
			Dyne	dyn	10 <sup>5</sup>
Torque or Moment	Newton · metre	N · m	Kilogram-force metre	kgf · m	1/9.806 65
Stress	Pascal	Pa (N/m <sup>2</sup> )	Kilogram-force per square centimetre	kgf/cm <sup>2</sup>	1/ (9.806 65 x 10 <sup>4</sup> )
			Kilogram-force per square millimetre	kgf/mm <sup>2</sup>	1/ (9.806 65 x 10 <sup>6</sup> )



## Prefixes used in SI system

Multiples	Prefix	Symbols	Multiples	Prefix	Symbols
10 <sup>18</sup>	Exa	E	10 <sup>-1</sup>	Deci	d
10 <sup>15</sup>	Peta	P	10 <sup>-2</sup>	Centi	c
10 <sup>12</sup>	Tera	T	10 <sup>-3</sup>	Milli	m
10 <sup>9</sup>	Giga	G	10 <sup>-6</sup>	Micro	μ
10 <sup>6</sup>	Mega	M	10 <sup>-9</sup>	Nano	n
10 <sup>3</sup>	Kilo	k	10 <sup>-12</sup>	Pico	p
10 <sup>2</sup>	Hecto	h	10 <sup>-15</sup>	Femto	f
10 <sup>1</sup>	Deca	da	10 <sup>-18</sup>	Ato	a

## Conversion factors from SI units (continued)

Parameter	SI Unit		Units other than SI		Conversion factor from SI unit
	Names of unit	Symbol	Name of unit	Symbol	
Pressure	Pascal (Newton per square metre)	Pa (N/m <sup>2</sup> )	Kilogram-force per square metre	kgf/m <sup>2</sup>	1/9.806 65
			Water Column	mH <sub>2</sub> O	1/(9.806 65 x 10 <sup>3</sup> )
			Mercury Column	mmHg	760/(1.013 25 x 10 <sup>5</sup> )
			Torr	Torr	760/(1.013 25 x 10 <sup>5</sup> )
			Bar	bar	10 <sup>-5</sup>
			Atmosphere	atm	1/(1.013 25 x 10 <sup>5</sup> )
Energy	Joule (Newton · metre)	J (N · m)	Erg	erg	10 <sup>7</sup>
			Calorie (International)	cal <sub>IT</sub>	4.186 8
			Kilogram-force metre	kgf · m	1/9.806 65
			Kilowatt hour	kW · h	1/(3.6 x 10 <sup>6</sup> )
			French horse power hour	PS · h	≈ 3.776 72 x 10 <sup>-7</sup>
Work	Watt (Joule per second)	W (J/s)	Kilogram-force metre per second	kgf · m/s	1/9.806 65
			Kilocalorie per hour	kcal/h	1/1.163
			French horse power	PS	≈ 1/735.498 8
Viscosity, Viscosity Index	Pascal second	Pa · s	Poise	P	10
Kinematic Viscosity,	Square metre per second	m <sup>2</sup> /s	Stokes	St	10 <sup>4</sup>
Kinematic Viscosity Index			Centistokes	cSt	10 <sup>6</sup>
Temperature	Kelvin, Degree celsius	K, °C	Degree	°C	(See note (1))
Electric Current					
Magnetomotive Force	Ampere	A	Ampere	A	1
Voltage, Electromotive Force	Volt	V	(Watts per ampere)	(W/A)	1
Magnetic Field Strength	Ampere per metre	A/m	Oersted	Oe	4π/10 <sup>3</sup>
Magnetic Flux Density	Tesla	T	Gauss	Gs	10 <sup>4</sup>
			Gamma	γ	10 <sup>9</sup>
Electrical Resistance	Ohm	Ω	(Volts per ampere)	(V/A)	1

Note (1) The conversion from  $T(K)$  into  $\theta(^{\circ}C)$  is  $\theta = T - 273.15$  but for a temperature difference, it is  $\Delta T = \Delta \theta$ . However,  $\Delta T$  and  $\Delta \theta$  represent temperature differences measured using the Kelvin and Celsius scales respectively.

Remarks The names and symbols in ( ) are equivalent to those directly above them or on their left.  
Example of conversion 1N=1/9.806 65kgf



Inch		11	12	13	14	15	16	17	18	19	20
Fraction	Decimal	mm									
<b>0</b>	<b>0.0000</b>	<b>279.400</b>	<b>304.800</b>	<b>330.200</b>	<b>355.600</b>	<b>381.000</b>	<b>406.400</b>	<b>431.800</b>	<b>457.200</b>	<b>482.600</b>	<b>508.000</b>
1/16	0.0625	280.988	306.388	331.788	357.188	382.588	407.988	433.388	458.788	484.188	509.588
1/8	0.1250	282.575	307.975	333.375	358.775	384.175	409.575	434.975	460.375	485.775	511.175
3/16	0.1875	284.162	309.562	334.962	360.362	385.762	411.162	436.562	461.962	487.362	512.762
1/4	<b>0.2500</b>	<b>285.750</b>	<b>311.150</b>	<b>336.550</b>	<b>361.950</b>	<b>387.350</b>	<b>412.750</b>	<b>438.150</b>	<b>463.550</b>	<b>488.950</b>	<b>514.350</b>
5/16	0.3125	287.338	312.738	338.138	363.538	388.938	414.338	439.738	465.138	490.538	515.938
3/8	0.3750	288.925	314.325	339.725	365.125	390.525	415.925	441.325	466.725	492.125	517.525
7/16	0.4375	290.512	315.912	341.312	366.712	392.112	417.512	442.912	468.312	493.712	519.112
1/2	<b>0.5000</b>	<b>292.100</b>	<b>317.500</b>	<b>342.900</b>	<b>368.300</b>	<b>393.700</b>	<b>419.100</b>	<b>444.500</b>	<b>469.900</b>	<b>495.300</b>	<b>520.700</b>
9/16	0.5625	293.688	319.088	344.488	369.888	395.288	420.688	446.088	471.488	496.888	522.288
5/8	0.6250	295.275	320.675	346.075	371.475	396.875	422.275	447.675	473.075	498.475	523.875
11/16	0.6875	296.862	322.262	347.662	373.062	398.462	423.862	449.262	474.662	500.062	525.462
3/4	<b>0.7500</b>	<b>298.450</b>	<b>323.850</b>	<b>349.250</b>	<b>374.650</b>	<b>400.050</b>	<b>425.450</b>	<b>450.850</b>	<b>476.250</b>	<b>501.650</b>	<b>527.050</b>
13/16	0.8125	300.038	325.438	350.838	376.238	401.638	427.038	452.438	477.838	503.238	528.638
7/8	0.8750	301.625	327.025	352.425	377.825	403.225	428.625	454.025	479.425	504.825	530.225
15/16	0.9375	303.212	328.612	354.012	379.412	404.812	430.212	455.612	481.012	506.412	531.812

Inch		21	22	23	24	25	26	27	28	29	30
Fraction	Decimal	mm									
<b>0</b>	<b>0.0000</b>	<b>533.400</b>	<b>558.800</b>	<b>584.200</b>	<b>609.600</b>	<b>635.000</b>	<b>660.400</b>	<b>685.800</b>	<b>711.200</b>	<b>736.600</b>	<b>762.000</b>
1/16	0.0625	534.988	560.388	585.788	611.188	636.588	661.988	687.388	712.788	738.188	763.588
1/8	0.1250	536.575	561.975	587.375	612.775	638.175	663.575	688.975	714.375	739.775	765.175
3/16	0.1875	538.162	563.562	588.962	614.362	639.762	665.162	690.562	715.962	741.362	766.762
1/4	<b>0.2500</b>	<b>539.750</b>	<b>565.150</b>	<b>590.550</b>	<b>615.950</b>	<b>641.350</b>	<b>666.750</b>	<b>692.150</b>	<b>717.550</b>	<b>742.950</b>	<b>768.350</b>
5/16	0.3125	541.338	566.738	592.138	617.538	642.938	668.338	693.738	719.138	744.538	769.938
3/8	0.3750	542.925	568.325	593.725	619.125	644.525	669.925	695.325	720.725	746.125	771.525
7/16	0.4375	544.512	569.912	595.312	620.712	646.112	671.512	696.912	722.312	747.712	773.112
1/2	<b>0.5000</b>	<b>546.100</b>	<b>571.500</b>	<b>596.900</b>	<b>622.300</b>	<b>647.700</b>	<b>673.100</b>	<b>698.500</b>	<b>723.900</b>	<b>749.300</b>	<b>774.700</b>
9/16	0.5625	547.688	573.088	598.488	623.888	649.288	674.688	700.088	725.488	750.888	776.288
5/8	0.6250	549.275	574.675	600.075	625.475	650.875	676.275	701.675	727.075	752.475	777.875
11/16	0.6875	550.862	576.262	601.662	627.062	652.462	677.862	703.262	728.662	754.062	779.462
3/4	<b>0.7500</b>	<b>552.450</b>	<b>577.850</b>	<b>603.250</b>	<b>628.650</b>	<b>654.050</b>	<b>679.450</b>	<b>704.850</b>	<b>730.250</b>	<b>755.650</b>	<b>781.050</b>
13/16	0.8125	554.038	579.438	604.838	630.238	655.638	681.038	706.438	731.838	757.238	782.638
7/8	0.8750	555.625	581.025	606.425	631.825	657.225	682.625	708.025	733.425	758.825	784.225
15/16	0.9375	557.212	582.612	608.012	633.412	658.812	684.212	709.612	735.012	760.412	785.812

Inch		31	32	33	34	35	36	37	38	39	40
Fraction	Decimal	mm									
<b>0</b>	<b>0.0000</b>	<b>787.400</b>	<b>812.800</b>	<b>838.200</b>	<b>863.600</b>	<b>889.000</b>	<b>914.400</b>	<b>939.800</b>	<b>965.200</b>	<b>990.600</b>	<b>1016.000</b>
1/16	0.0625	788.988	814.388	839.788	865.188	890.588	915.988	941.388	966.788	992.188	1017.588
1/8	0.1250	790.575	815.975	841.375	866.775	892.175	917.575	942.975	968.375	993.775	1019.175
3/16	0.1875	792.162	817.562	842.962	868.362	893.762	919.162	944.562	969.962	995.362	1020.762
1/4	<b>0.2500</b>	<b>793.750</b>	<b>819.150</b>	<b>844.550</b>	<b>869.950</b>	<b>895.350</b>	<b>920.750</b>	<b>946.150</b>	<b>971.550</b>	<b>996.950</b>	<b>1022.350</b>
5/16	0.3125	795.338	820.738	846.138	871.538	896.938	922.338	947.738	973.138	998.538	1023.938
3/8	0.3750	796.925	822.325	847.725	873.125	898.525	923.925	949.325	974.725	1000.125	1025.525
7/16	0.4375	798.512	823.912	849.312	874.712	900.112	925.512	950.912	976.312	1001.712	1027.112
1/2	<b>0.5000</b>	<b>800.100</b>	<b>825.500</b>	<b>850.900</b>	<b>876.300</b>	<b>901.700</b>	<b>927.100</b>	<b>952.500</b>	<b>977.900</b>	<b>1003.300</b>	<b>1028.700</b>
9/16	0.5625	801.688	827.088	852.488	877.888	903.288	928.688	954.088	979.488	1004.888	1030.288
5/8	0.6250	803.275	828.675	854.075	879.475	904.875	930.275	955.675	981.075	1006.475	1031.875
11/16	0.6875	804.862	830.262	855.662	881.062	906.462	931.862	957.262	982.662	1008.062	1033.462
3/4	<b>0.7500</b>	<b>806.450</b>	<b>831.850</b>	<b>857.250</b>	<b>882.650</b>	<b>908.050</b>	<b>933.450</b>	<b>958.850</b>	<b>984.250</b>	<b>1009.650</b>	<b>1035.050</b>
13/16	0.8125	808.038	833.438	858.838	884.238	909.638	935.038	960.438	985.838	1011.238	1036.638
7/8	0.8750	809.625	835.025	860.425	885.825	911.225	936.625	962.025	987.425	1012.825	1038.225
15/16	0.9375	811.212	836.612	862.012	887.412	912.812	938.212	963.612	989.012	1014.412	1039.812

# Temperature conversion tables

## Appendix table 4 °C-°F conversion table

(Method of using this table) For example, to convert 38°C into °F, read the figure in the right °F column adjacent to the 38 in the center column in the 2nd block. This means that 38°C is 100.4°F. To convert 38°F into°C, read the figure in the left °C column of the same row, which indicates that the answer is 3.3°C.

$$C = \frac{5}{9}(F - 32)$$

$$F = 32 + \frac{5}{9}C$$

°C			°F			°C			°F			°C			°F		
-73.3	-100	-148.0	0.0	32	89.6	21.7	71	159.8	43.3	110	230	43.3	110	230			
-62.2	-80	-112.0	0.6	33	91.4	22.2	72	161.6	46.1	115	239	46.1	115	239			
-51.1	-60	-76.0	1.1	34	93.2	22.8	73	163.4	48.9	120	248	48.9	120	248			
-40.0	-40	-40.0	1.7	35	95.0	23.3	74	165.2	51.7	125	257	51.7	125	257			
-34.4	-30	-22.0	2.2	36	96.8	23.9	75	167.0	54.4	130	266	54.4	130	266			
-28.9	-20	-4.0	2.8	37	98.6	24.4	76	168.8	57.2	135	275	57.2	135	275			
-23.3	-10	14.0	3.3	38	100.4	25.0	77	170.6	60.0	140	284	60.0	140	284			
-17.8	0	32.0	3.9	39	102.2	25.6	78	172.4	65.6	150	302	65.6	150	302			
-17.2	1	33.8	4.4	40	104.0	26.1	79	174.2	71.1	160	320	71.1	160	320			
-16.7	2	35.6	5.0	41	105.8	26.7	80	176.0	76.7	170	338	76.7	170	338			
-16.1	3	37.4	5.6	42	107.6	27.2	81	177.8	82.2	180	356	82.2	180	356			
-15.6	4	39.2	6.1	43	109.4	27.8	82	179.6	87.8	190	374	87.8	190	374			
-15.0	5	41.0	6.7	44	111.2	28.3	83	181.4	93.3	200	392	93.3	200	392			
-14.4	6	42.8	7.2	45	113.0	28.9	84	183.2	98.9	210	410	98.9	210	410			
-13.9	7	44.6	7.8	46	114.8	29.4	85	185.0	104.4	220	428	104.4	220	428			
-13.3	8	46.4	8.3	47	116.6	30.0	86	186.8	110.0	230	446	110.0	230	446			
-12.8	9	48.2	8.9	48	118.4	30.6	87	188.6	115.6	240	464	115.6	240	464			
-12.2	10	50.0	9.4	49	120.2	31.1	88	190.4	121.1	250	482	121.1	250	482			
-11.7	11	51.8	10.0	50	122.0	31.7	89	192.2	148.9	300	572	148.9	300	572			
-11.1	12	53.6	10.6	51	123.8	32.2	90	194.0	176.7	350	662	176.7	350	662			
-10.6	13	55.4	11.1	52	125.6	32.8	91	195.8	204	400	752	204	400	752			
-10.0	14	57.2	11.7	53	127.4	33.3	92	197.6	232	450	842	232	450	842			
-9.4	15	59.0	12.2	54	129.2	33.9	93	199.4	260	500	932	260	500	932			
-8.9	16	60.8	12.8	55	131.0	34.4	94	201.2	288	550	1022	288	550	1022			
-8.3	17	62.6	13.3	56	132.8	35.0	95	203.0	316	600	1112	316	600	1112			
-7.8	18	64.4	13.9	57	134.6	35.6	96	204.8	343	650	1202	343	650	1202			
-7.2	19	66.2	14.4	58	136.4	36.1	97	206.6	371	700	1292	371	700	1292			
-6.7	20	68.0	15.0	59	138.2	36.7	98	208.4	399	750	1382	399	750	1382			
-6.1	21	69.8	15.6	60	140.0	37.2	99	210.2	427	800	1472	427	800	1472			
-5.6	22	71.6	16.1	61	141.8	37.8	100	212.0	454	850	1562	454	850	1562			
-5.0	23	73.4	16.7	62	143.6	38.3	101	213.8	482	900	1652	482	900	1652			
-4.4	24	75.2	17.2	63	145.4	38.9	102	215.6	510	950	1742	510	950	1742			
-3.9	25	77.0	17.8	64	147.2	39.4	103	217.4	538	1000	1832	538	1000	1832			
-3.3	26	78.8	18.3	65	149.0	40.0	104	219.2	593	1100	2012	593	1100	2012			
-2.8	27	80.6	18.9	66	150.8	40.6	105	221.0	649	1200	2192	649	1200	2192			
-2.2	28	82.4	19.4	67	152.6	41.1	106	222.8	704	1300	2372	704	1300	2372			
-1.7	29	84.2	20.0	68	154.4	41.7	107	224.6	760	1400	2552	760	1400	2552			
-1.1	30	86.0	20.6	69	156.2	42.2	108	226.4	816	1500	2732	816	1500	2732			
-0.6	31	87.8	21.1	70	158.0	42.8	109	228.2	871	1600	2912	871	1600	2912			







# Notes

---

---

---

---

---

---

---

---

---

---

---

---

---

---

---

---

---

---

---

---

---

---

---

---

---

---

---

---

---

---





## EUROPEAN NSK SALES OFFICES

### UK

NSK UK LTD.  
NORTHERN ROAD, NEWARK  
NOTTINGHAMSHIRE  
NG24 2JF  
Tel: +44 1636 605123  
Fax: +44 1636 602775  
e-mail: info-uk@nsk.com

### FRANCE

NSK FRANCE S.A.S  
QUARTIER DE L'EUROPE  
2, RUE GEORGES GUYNEMER  
78283 GUYANCOURT CEDEX  
Tel: +33 1 30 57 39 39  
Fax: +33 1 30 57 00 01  
e-mail: info-fr@nsk.com

### GERMANY

NSK DEUTSCHLAND GMBH  
HARKORTSTRASSE 15  
40880 RATINGEN  
Tel: +49 2102 4810  
Fax: +49 2102 4812290  
e-mail: info-de@nsk.com

### ITALY

NSK ITALIA S.p.A.  
VIA GARIBALDI 215  
20024 GARBAGNATE MILANESE (MI)  
Tel: +39 02 995 191  
Fax: +39 02 990 25 778  
e-mail: info-it@nsk.com

### NORWAY

NSK NORWAY OFFICE  
OSTRE KULLEROD 5  
N-3241 SANDEFJORD  
Tel: +47 3329 3160  
Fax: +47 3342 9002  
e-mail: info-n@nsk.com

### POLAND

NSK POLSKA Sp. z o.o.  
WARSAW BRANCH  
ul. MIGDAŁOWA 4/73  
02-796 WARSZAWA  
Tel: +48 22 645 15 25  
Fax: +48 22 645 15 29  
e-mail: info-pl@nsk.com

### SPAIN

NSK SPAIN, S.A.  
C/ TARRAGONA, 161 CUERPO BAJO  
2ª PLANTA,  
08014 BARCELONA  
Tel: +34 932 89 27 63  
Fax: +34 934 33 57 76  
e-mail: info-es@nsk.com

### SWEDEN

NSK SWEDEN OFFICE  
KAROLINEN FÖRETAGSCENTER  
VÄXNÄSGATAN 10  
SE-65340 KARLSTADT  
Tel: +46 5410 3545  
Fax: +46 5410 3545  
e-mail: info-de@nsk.com

### TURKEY

NSK RULMANLARI ORTA DOĞU TİC. LTD. ŞTİ  
19 MAYIS MAH. ATATÜRK CAD.  
ULYA ENĞİN İŞ MERKEZİ NO:68 KAT. 6  
P.K.: 34734  
KOZYATAĞI – İSTANBUL  
Tel: +90 216 355 0398  
Fax: +90 216 355 0399  
e-mail: turkey@nsk.com

Please also visit our website: [www.eu.nsk.com](http://www.eu.nsk.com) – Global NSK: [www.nsk.com](http://www.nsk.com)

