

RHP PLUMMER BLOCK HOUSINGS AND ACCESSORIES





SUMMARY



General points, technical characteristics	2 – 3
SN500 Series	4 – 7
SN600 Series	8 – 11
SNU 500-600 Series	12 – 15
SD3100 Series	16 – 17
Sleeves (metric and inch)	18 – 21
Withdrawal sleeves (metric and inch)	22 – 23
Lock nuts	24
Locking washers	25
Locating rings	26
Notes	27



INTRODUCTION

RHP market 3 types of plummer block units, the SN, SNU and SD.

These are manufactured from high strength cast iron and can be fitted with spherical roller bearings or self-aligning ball bearings.

These units are re-greasable; the SN series may be drilled and tapped to receive a lubrication nipple on the upper half of the housing.

The SNU series may be fitted with an additional second threaded hole at the bottom of the casting, this acts as a grease relief valve or oil drain hole.

The internal sphere of the housing has been designed to H7 tolerance allowing the bearing to be adjusted easily. Locating rings can be fitted to position the bearing. These plummer block housings can accommodate different types of seals, varying from the simple felt seal to the more complex steel and aluminium labyrinth seal.

End covers are also available for both the SN and SNU housings.

TECHNICAL CHARACTERISTICS

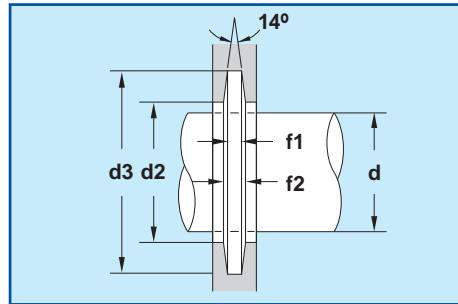
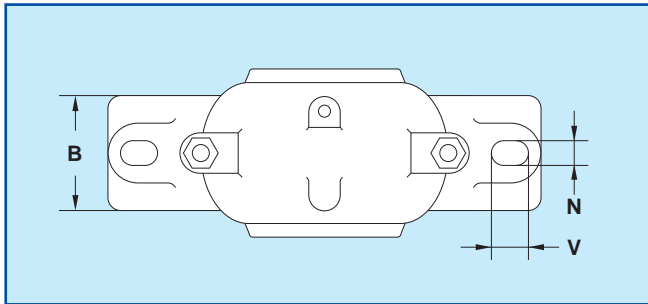
MATERIAL	JIS CODE	US CODE	STRENGTH
CAST IRON	JIS G5501	ASTM A48	kgf/cm ²
	FC20	GRADE 35	20

ITEM	REFERENCE	MATERIAL
Felt Seal*	FI	80% cotton, 20% rayon. Density 0.25g/cm ²
Locating ring	FR	Mild steel AISI1010/Aluminium
ZF Seal	ZF	Nitrile Butane Rubber (NBR)
U-LOK Seal	U500/U600	NBR and steel
Labyrinth Seal	TS500/600 U	Steel/aluminium
V-Ring Seal	TSNA500/600	NBR & mild steel (back plate)
End cover SN	500/600NA	NBR & mild steel
End cover SNU	500/A	NBR & mild steel

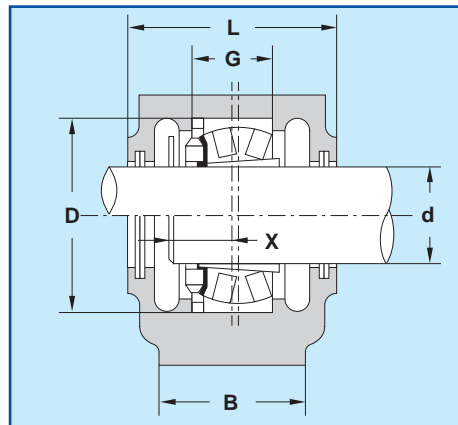
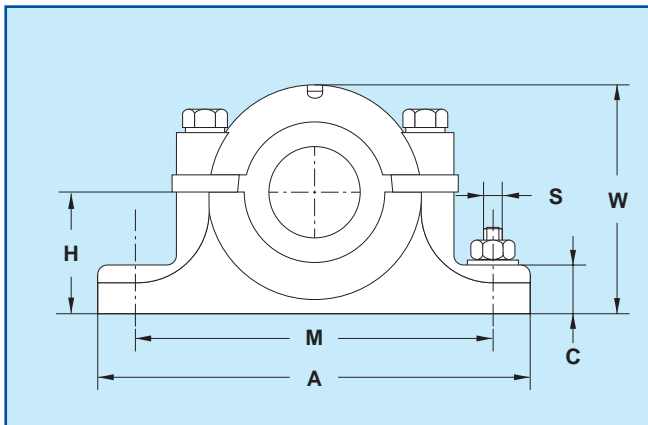
* Standard on SN Housing



SN500 SERIES



DETAIL OF GROOVES

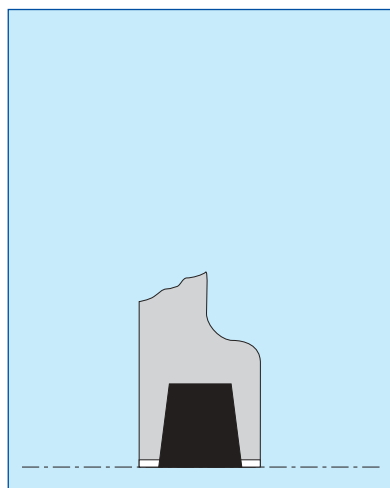


DIMENSIONS mm

SERIES	d		DIMENSIONS mm																			
	MM	INCH	A	B	C	D	G	H	L	L1	L2	M	N	S	V	W	X	Z	d2	d3	f1	f2
SN 505	20	¾	165	46	22	52	25	40	67	-	-	130	15	12	20	75	22	-	21.5	31	3	4.2
SN 506	25	1	185	52	22	62	30	50	77	80	-	150	15	12	20	90	22	-	26.5	38	4	5.4
SN 507	30	1½	185	52	22	72	33	50	82	85	-	150	15	12	20	95	24	-	31.5	43	4	5.4
SN 508	35	1¼	205	60	25	80	33	60	85	90	-	170	15	12	20	110	26	-	36.5	48	4	5.4
SN 509	40	1½	205	60	25	85	31	60	85	90	-	170	15	12	20	112	28	-	41.5	53	4	5.4
SN 510	45	1¾	205	60	25	90	33	60	90	95	-	170	15	12	20	115	28	-	46.5	58	4	5.4
SN 511	50	2	255	70	28	100	33	70	95	100	160	210	18	16	23	130	30	54	51.5	67	5	6.9
SN 512	55	2½	255	70	30	110	38	70	105	110	172	210	18	16	23	135	32	62	56.5	72	5	6.9
SN 513	60	2¼	275	80	30	120	43	80	110	115	172	230	18	16	23	150	36	62	62.0	77	5	6.8
SN 515	65	2½	280	80	30	130	41	80	115	120	182	230	18	16	23	155	38	68	67.0	82	5	6.8
SN 516	70	2¾	315	90	32	140	43	95	120	125	184	260	22	20	27	175	40	68	72.0	89	6	8.5

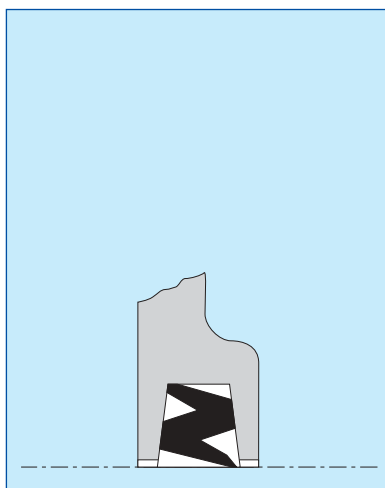
SEALING OPTIONS FOR SN500 AND 600 HOUSINGS

FELT SEAL FI



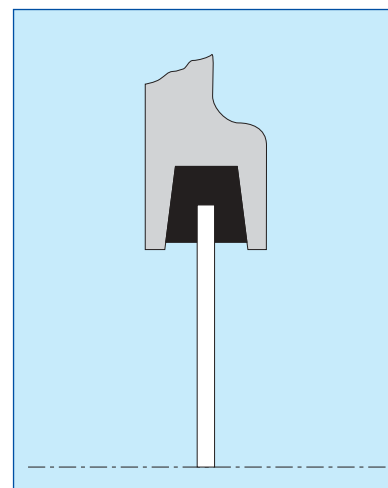
REF. FI10
= felt for SN510

SEAL ZF



REF. ZF10
= seal for SN510

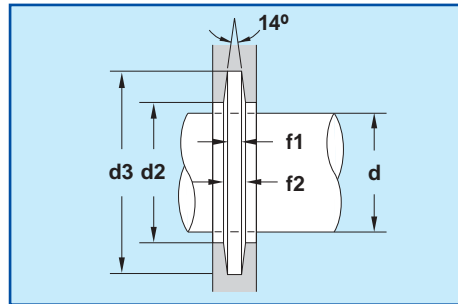
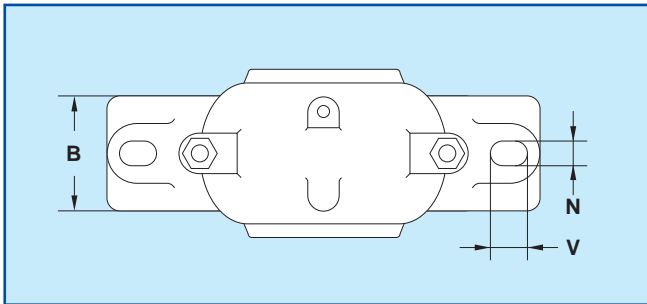
END COVER 500NA



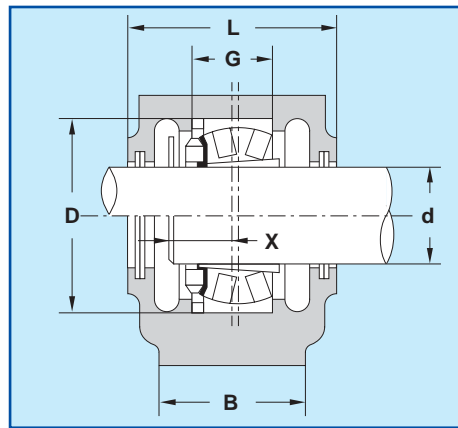
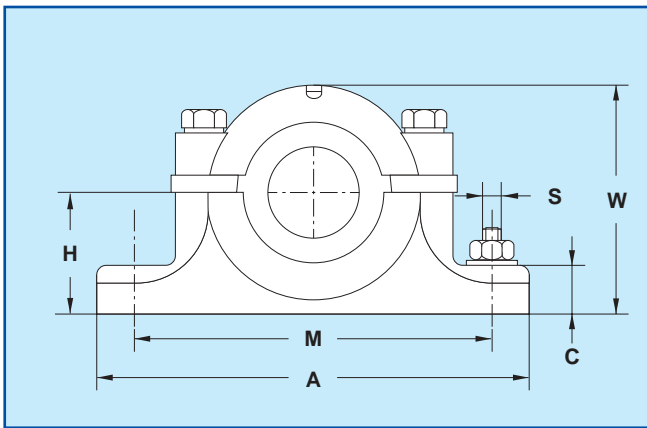
REF. 510NA
= end cover for SN510

MASS kg	BEARING		ADAPTOR SLEEVE		LOCATING RING		SEAL OPTIONS			SERIES
	SELF-ALIGNING BALL BEARING	SPHERICAL ROLLER BEARING	METRIC	INCH	REF	QTY	FELT SEAL	ZF SEAL	END COVER	
1.1	1205K	-	H205	HE205	FR52/5	2	FI05	ZF05	505NA	SN 505
	2205K	22205K	H305	HE305	FR52/7	1	FI05	ZF05	505NA	
1.6	1206K	-	H206	HE206	FR62/7	2	FI06	ZF06	506NA	SN 506
	2206K	22206K	H306	HE306	FR62/10	1	FI06	ZF06	506NA	
1.8	1207K	-	H207	HE207	FR72/8	2	FI07	ZF07	507NA	SN 507
	2207K	22207K	H307	HE307	FR72/10	1	FI07	ZF07	507NA	
2.7	1208K	-	H208	HE208	FR80/7	2	FI08	ZF08	508NA	SN 508
	2208K	22208K	H308	HE308	FR80/10	1	FI08	ZF08	508NA	
2.6	1209K	-	H209	HE209	FR85/6	2	FI09	ZF09	508NA	SN 509
	2209K	22209K	H309	HE309	FR85/8	1	FI09	ZF09	509NA	
2.8	1210K	-	H210	HE210	FR90/6.5	2	FI10	ZF10	510NA	SN 510
	2210K	22210K	H310	HE310	FR90/10	1	FI10	ZF10	510NA	
3.8	1211K	-	H211	HE211	FR100/6	2	FI11	ZF11	511NA	SN 511
	2211K	22211K	H311	HE311	FR100/8	1	FI11	ZF11	511NA	
4.4	1212K	-	H212	HE212	FR110/8	2	FI12	ZF12	512NA	SN 512
	2212K	22212K	H312	HE312	FR110/10	1	FI12	ZF12	512NA	
5.2	1213K	-	H213	HE213	FR120/10	2	FI13	ZF13	513NA	SN 513
	2213K	22213K	H313	HE313	FR120/12	1	FI13	ZF13	513NA	
5.8	1215K	-	H215	HE215	FR130/8	2	FI15	ZF15	515NA	SN 515
	2215K	22215K	H315	HE315	FR130/10	1	FI15	ZF15	515NA	
7.6	1216K	-	H216	HE216	FR140/8.5	2	FI16	ZF16	516NA	SN 516
	2216K	22216K	H316	HE316	FR140/10	1	FI16	ZF16	516NA	

SN500 SERIES (continued)



DETAIL OF GROOVES

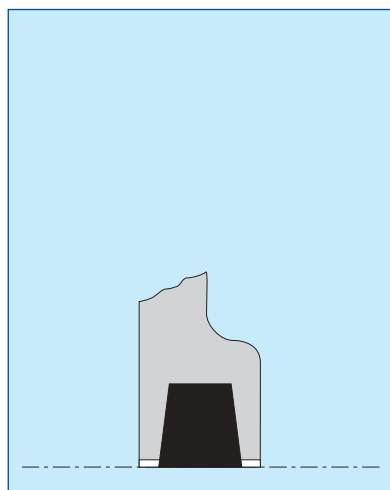


DIMENSIONS mm

SERIES	d		DIMENSIONS mm															d2	d3	f1	f2	
	MM	INCH	A	B	C	D	G	H	L	L1	L2	M	N	S	V	W	X					Z
SN 517	75	3	320	90	32	150	46.0	95	125	130	184	260	22	20	27	185	42	70	77	94	6	8.5
SN 518	80	3¼	345	100	35	160	62.4	100	145	150	204	290	22	20	27	195	50	81	82	99	6	8.5
SN 520	90	3½	380	110	40	180	70.3	112	160	165	224	320	26	24	32	218	54	90	92	111	7	9.3
SN 522	100	4	410	120	45	200	80.0	125	175	180	232	350	26	24	32	240	60	92	102	125	8	10.8
SN 524	110	4¼	410	120	45	215	86.0	140	185	190	248	350	26	24	32	270	64	95	113	135	8	10.7
SN 526	115	4½	445	130	50	230	90.0	150	190	195	268	380	28	24	36	290	64	100	118	140	8	10.7
SN 528	125	5	500	150	50	250	98.0	150	205	210	286	420	33	30	42	305	70	108	128	154	9	12.2
SN 530	135	5¼	530	160	60	270	106.0	160	220	225	304	450	33	30	42	325	76	113	138	164	9	12.2
SN 532	140	5½	550	160	60	290	114.0	170	235	240	320	470	33	30	42	345	80	122	143	173	10	13.7

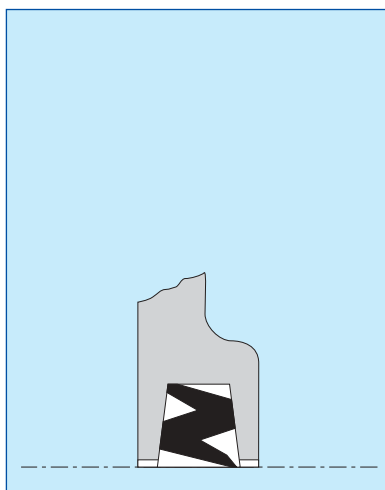
SEALING OPTIONS FOR SN500 AND 600 HOUSINGS

FELT SEAL FI



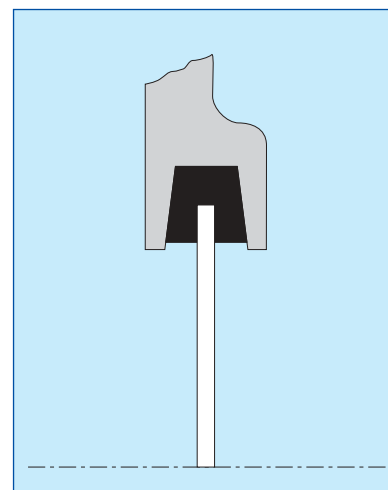
REF. FI10
= felt for SN510

SEAL ZF



REF. ZF10
= seal for SN510

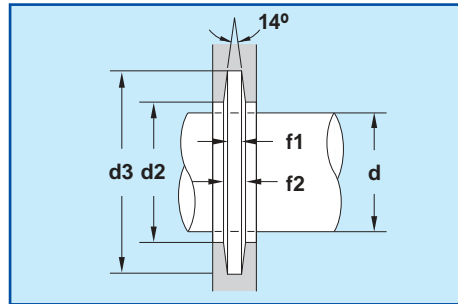
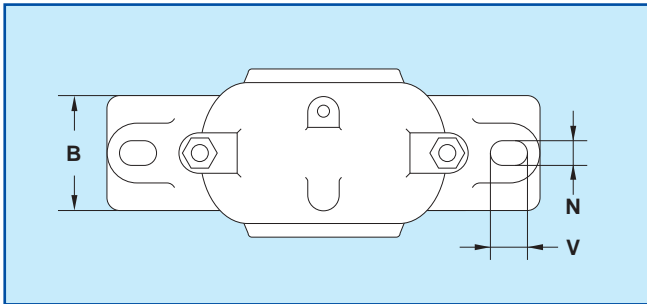
END COVER 500NA



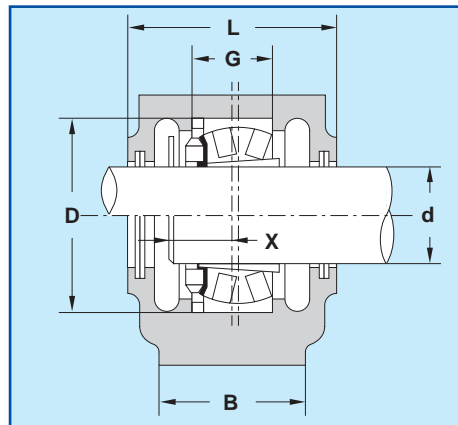
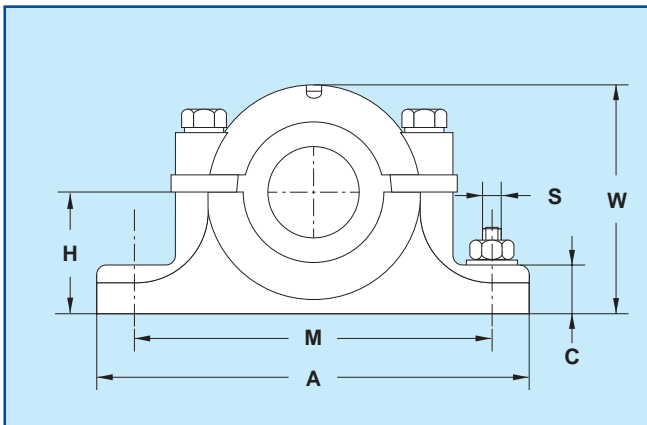
REF. 510NA
= end cover for SN510

MASS kg	BEARING		ADAPTOR SLEEVE		LOCATING RING		SEAL OPTIONS			SERIES
	SELF-ALIGNING BALL BEARING	SPHERICAL ROLLER BEARING	METRIC	INCH	REF	QTY	FELT SEAL	ZF SEAL	END COVER	
7.4	1217K	-	H217	HE217	FR150/9	2	FI17	ZF17	517NA	SN 517
	2217K	22217K	H317	HE317	FR150/10	1	FI17	ZF17	517NA	
10.2	1218K	-	H218	HE218	FR160/16.2	2	FI18	ZF18	518NA	SN 518
	2218K	22218K	H318	HE318	FR160/11.2	2	FI18	ZF18	518NA	
	-	23218K	H2318	HE2318	FR160/10	1	FI18	ZF18	518NA	
14.0	1220K	-	H220	HE220	FR180/18	2	FI20	ZF20	520NA	SN 520
	2220K	22220K	H320	HE320	FR180/12.1	2	FI20	ZF20	520NA	
	-	23220K	H2320	HE2320	FR180/10	1	FI20	ZF20	520NA	
17.5	1222K	-	H222	HE222	FR200/10.5	4	FI22	ZF22	522NA	SN 522
	2222K	22222K	H322	HE322	FR200/13.5	2	FI22	ZF22	522NA	
	-	23222K	H2322	HE2322	FR200/10	1	FI22	ZF22	522NA	
22.0	-	22224K	H3124	HE3124	FR215/14	2	FI24	ZF24	524NA	SN 524
	-	23224K	H2324	HE2324	FR215/10	1	FI24	ZF24	524NA	
28.3	-	22226K	H3126	HE3126	FR230/13	2	FI26	ZF26	526NA	SN 526
	-	23226K	H2326	HE2326	FR230/10	1	FI26	ZF26	526NA	
36.0	-	22228K	H3128	HE3128	FR250/15	2	FI28	ZF28	528NA	SN 528
	-	23228K	H2328	HE2328	FR250/10	1	FI28	ZF28	528NA	
42.5	-	22230K	H3130	HE3130	FR270/16.5	2	FI30	ZF30	530NA	SN 530
	-	23230K	H2330	HE2330	FR270/10	1	FI30	ZF30	530NA	
49.6	-	22232K	H3132	HE3132	FR290/17	2	FI32	ZF32	532NA	SN 532
	-	23232K	H2332	HE2332	FR290/10	1	FI32	ZF32	532NA	

SN600 SERIES



DETAIL OF GROOVES

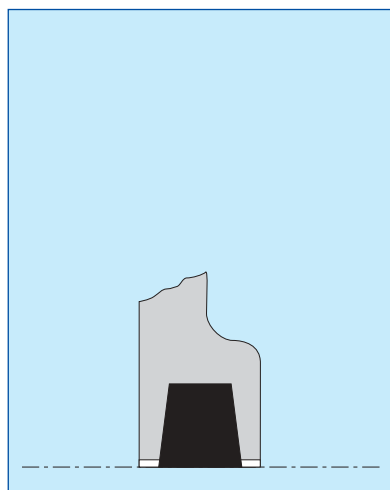


DIMENSIONS mm

SERIES	d		A		B		C		D		G		H		L		L1		L2		M		N		S		V		W		X		Z		d2		d3		f1		f2	
	MM	INCH																																								
SN 605	20	¾	185	52	22	62	34	50	80	-	-	150	15	12	20	90	27	-	21.5	31	3	4.2																				
SN 606	25	1	185	52	22	72	37	50	82	85	-	150	15	12	20	95	27	-	26.5	38	4	5.4																				
SN 607	30	1½	205	60	25	80	41	60	90	93	-	170	15	12	20	110	32	-	31.5	43	4	5.4																				
SN 608	35	1¼	205	60	25	90	43	60	95	100	-	170	15	12	20	115	34	-	36.5	48	4	5.4																				
SN 609	40	1½	255	70	28	100	46	70	105	110	-	210	18	16	23	130	36	-	41.5	53	4	5.4																				
SN 610	45	1¾	255	70	30	110	50	70	115	120	-	210	18	16	23	135	39	-	46.5	58	4	5.4																				
SN 611	50	2	275	80	30	120	53	80	120	125	185	230	18	16	23	150	40	68.5	51.5	67	5	6.9																				
SN 612	55	2½	280	80	30	130	56	80	125	130	185	230	18	16	23	155	44	68.5	56.5	72	5	6.9																				
SN 613	60	2¼	315	90	32	140	58	95	130	135	200	260	22	20	27	175	46	74.0	62.0	77	5	6.8																				
SN 615	65	2½	345	100	35	160	65	100	140	145	210	290	22	20	27	195	51	79.0	67.0	82	5	6.8																				
SN 616	70	2¾	345	100	35	170	68	112	145	150	210	290	22	20	27	212	52	79.0	72.0	89	6	8.1																				

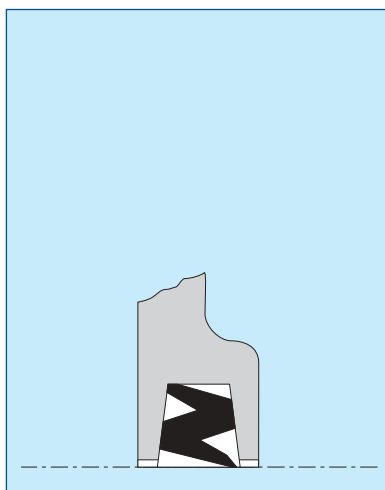
SEALING OPTIONS FOR SN500 AND 600 HOUSINGS

FELT SEAL FI



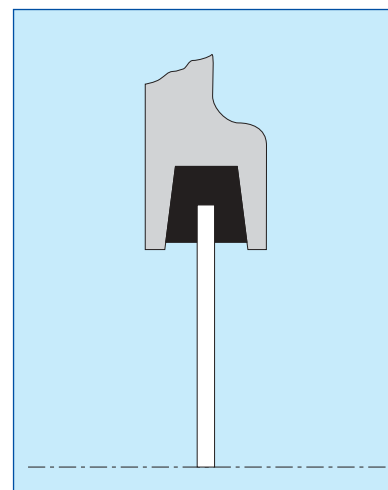
REF. FI10
= felt for SN610

SEAL ZF



REF. ZF10
= seal for SN610

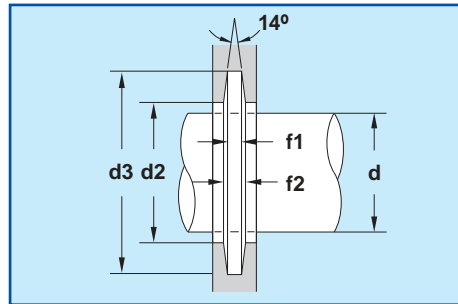
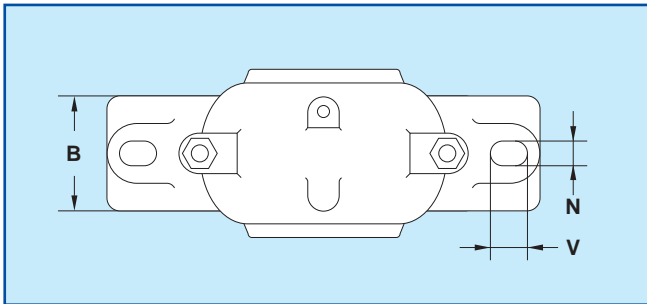
END COVER 600NA



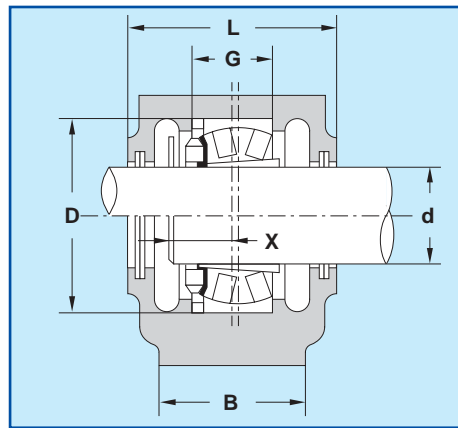
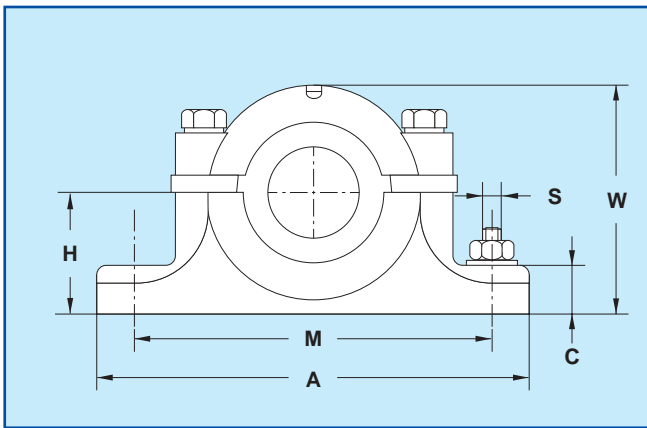
REF. 610NA
= end cover for SN610

MASS kg	BEARING		ADAPTOR SLEEVE		LOCATING RING		SEAL OPTIONS			SERIES
	SELF-ALIGNING BALL BEARING	SPHERICAL ROLLER BEARING	METRIC	INCH	REF	QTY	FELT SEAL	ZF SEALS	END COVER	
2.5	1305K	-	H305	HE305	FR62/8.5	2	FI05	ZF05	605NA	SN 605
	2305K	-	H2305	HE2305	FR62/10	1	FI05	ZF05	605NA	
2.1	1306K	-	H306	HE306	FR72/9	2	FI06	ZF06	606NA	SN 606
	2306K	-	H2306	HE2306	FR72/10	1	FI06	ZF06	606NA	
3.2	1307K	-	H307	HE307	FR80/10	2	FI07	ZF07	607NA	SN 607
	2307K	-	H2307	HE2307	FR80/10	1	FI07	ZF07	607NA	
2.8	1308K	21308K	H308	HE308	FR90/10	2	FI08	ZF08	608NA	SN 608
	2308K	22308K	H2308	HE2308	FR90/10	1	FI08	ZF08	608NA	
3.8	1309K	21309K	H309	HE309	FR100/10.5	2	FI09	ZF09	609NA	SN 609
	2309K	22309K	H2309	HE2309	FR100/10	1	FI09	ZF09	609NA	
4.2	1310K	21310K	H310	HE310	FR110/11.5	2	FI10	ZF10	610NA	SN 610
	2310K	22310K	H2310	HE2310	FR110/10	1	FI10	ZF10	610NA	
5.4	1311K	21311K	H311	HE311	FR120/12	2	FI11	ZF11	611NA	SN 611
	2311K	22311K	H2311	HE2311	FR120/10	1	FI11	ZF11	611NA	
7.3	1312K	21312K	H312	HE312	FR130/12.5	2	FI12	ZF12	612NA	SN 612
	2312K	22312K	H2312	HE2312	FR130/10	1	FI12	ZF12	612NA	
7.7	1313K	21313K	H313	HE313	FR140/12.5	2	FI13	ZF13	613NA	SN 613
	2313K	22313K	H2313	HE2313	FR140/10	1	FI13	ZF13	613NA	
10.8	1315K	21315K	H315	HE315	FR160/14	2	FI15	ZF15	615NA	SN 615
	2315K	22315K	H2315	HE2315	FR160/10	1	FI15	ZF15	615NA	
12.6	1316K	21316K	H316	HE316	FR170/14.5	2	FI16	ZF16	616NA	SN 616
	2316K	22316K	H2316	HE2316	FR170/10	1	FI16	ZF16	616NA01	

SN600 SERIES (continued)



DETAIL OF GROOVES

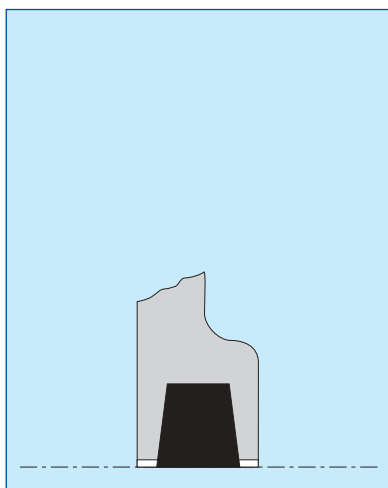


DIMENSIONS mm

SERIES	d		DIMENSIONS mm																	d2	d3	f1	f2
	MM	INCH	A	B	C	D	G	H	L	L1	L2	M	N	S	V	W	X	Z					
SN 617	75	3	380	110	40	180	70	112	155	160	220	320	26	24	32	218	56	87	77	94	6	8.1	
SN 618	80	3¼	400	110	33	190	74	112	160	165	225	320	26	24	35	230	58	89.5	82	99	6	8.1	
SN 619	85	-	420	120	36	200	77	125	170	175	235	350	36	24	35	245	60	92	87	104	6	8.1	
SN 620	90	3½	420	120	38	215	83	140	175	180	240	350	26	24	35	280	64	95	92	111	7	9.3	
SN 622	100	4	460	130	40	240	90	150	190	195	258	390	28	24	38	300	69	107	102	125	8	10.0	
SN 624	110	4¼	540	160	50	260	96	160	205	210	280	450	33	30	42	325	73	112	113	135	8	10.7	
SN 626	115	4½	560	160	50	280	103	170	215	220	300	470	33	30	42	350	77	116	118	140	8	10.7	
SN 628	125	5	630	170	55	300	112	180	235	240	320	520	35	30	45	375	83	126	128	154	9	12.2	
SN 630	135	5¼	680	180	55	320	118	190	245	250	340	560	35	30	45	395	88	132	138	164	9	12.2	
SN 632	140	5½	710	190	60	340	124	200	255	260	350	580	42	36	52	415	93	137	143	173	10	13.7	

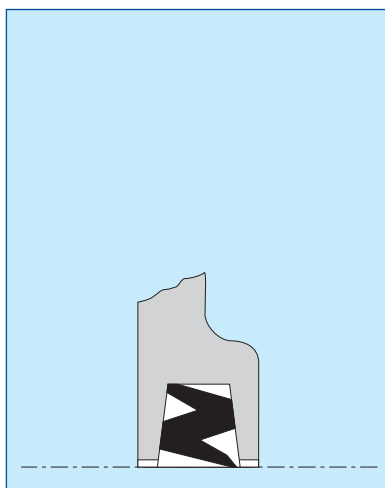
SEALING OPTIONS FOR SN500 AND 600 HOUSINGS

FELT SEAL FI



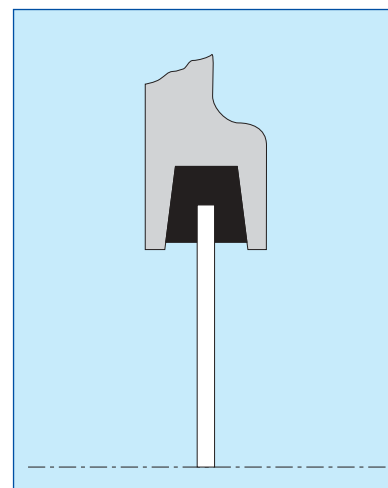
REF. FI10
= felt for SN610

SEAL ZF



REF. ZF10
= seal for SN610

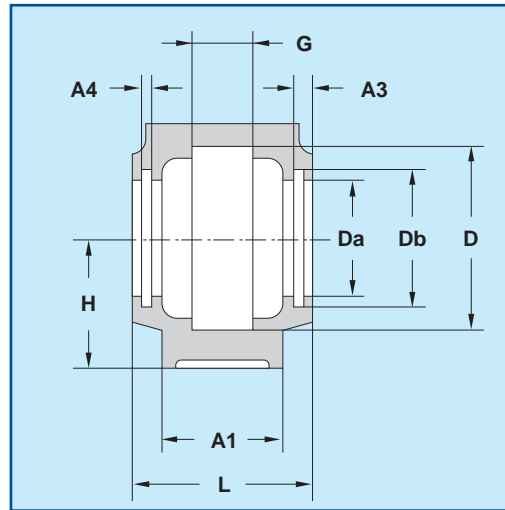
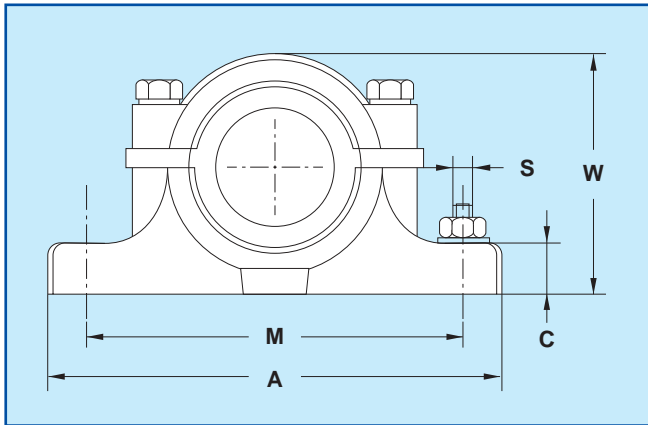
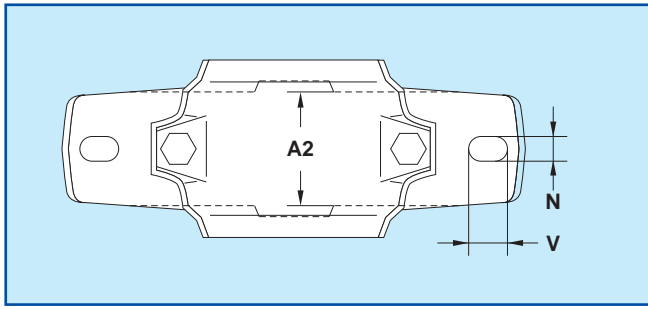
END COVER 600NA



REF. 610NA
= end cover for SN610

MASS kg	BEARING		ADAPTOR SLEEVE		LOCATING RING		SEAL OPTIONS			SERIES
	SELF-ALIGNING BALL BEARING	SPHERICAL ROLLER BEARING	METRIC	INCH	REF	QTY	FELT SEAL	ZF SEAL	END COVER	
15.0	1317K	21317K	H317	HE317	FR180/14.5	2	F117	ZF17	617NA	SN 617
	2317K	22317K	H2317	HE2317	FR180/10	1	F117	ZF17	617NA	
19.5	1318K	-	H318	HE318	FR190/15.5	2	F118	ZF18	618NA	SN 618
	2318K	22318K	H2318	HE2318	FR190/10	1	F118	ZF18	618NA	
26.3	1319K	-	H319	HE319	FR200/16	2	F119	ZF19	619NA	SN 619
	2319K	22319K	H2319	HE2319	FR200/10	1	F119	ZF19	619NA	
28.5	1320K	-	H320	HE320	FR215/18	2	F120	ZF20	620NA	SN 620
	2320K	22320K	H2320	HE2320	FR215/10	1	F120	ZF20	620NA	
42.0	1322K	-	H322	HE322	FR240/20	2	F122	ZF22	622NA	SN 622
	2322K	22322K	H2322	HE2322	FR240/10	1	F122	ZF22	622NA	
56.7	-	22324K	H2324	HE2324	FR260/10	1	F124	ZF24	624NA	SN 624
68.2	-	22326K	H2326	HE2326	FR280/10	1	F126	ZF26	626NA	SN 626
94.5	-	22328K	H2328	HE2328	FR300/10	1	F128	ZF28	628NA	SN 628
105.0	-	22330K	H2330	HE2330	FR320/10	1	F130	ZF30	630NA	SN 630
110.0	-	22332K	H2332	HE2332	FR340/10	1	F132	ZF32	632NA	SN 632

SNU 500-600 SERIES



Fitted as standard, SNU 500-600 bearings have two-part U-LOK rubber seals – detailed on page 14.

SERIES	HOUSING DIMENSIONS mm																	MASS kg
	A	A1	A2	A3	A4	C	D	Da	Db	G	H	L	M	N	S	V	W	
SNU 506-605	185	52	45	7.5	5	22	62	36.5	44.5	32	50	77	150	13	10	22	87	2.0
SNU 507-606	185	52	45	7.5	5	22	72	46.5	54.5	34	50	82	150	13	10	20	92	2.2
SNU 508-607	205	60	50	7.5	5	25	80	51.5	59.5	39	60	85	170	15	12	20	106	2.9
SNU 509	205	60	50	8.5	5	25	85	56.5	64.5	30	60	85	170	15	12	20	106	3.2
SNU 510-608	205	60	50	8.5	5	25	90	62.0	70.5	41	60	90	170	15	12	20	112	3.5
SNU 511-609	255	70	58	8.5	5	28	100	67.0	75.5	44	70	95	210	18	16	23	127	5.0
SNU 512-610	255	70	60	8.5	5	30	110	72.0	80.5	48	70	105	210	18	16	23	133	5.4
SNU 513-611	275	80	65	8.5	5	30	120	77.0	85.5	51	80	110	230	18	16	24	148	6.5
SNU 515-612	280	80	65	8.5	5	30	130	87.0	95.5	56	80	115	230	18	16	26	154	6.7
SNU 516-613	315	90	75	10.5	5	32	140	92.5	101.0	58	95	120	260	22	20	29	175	9.6
SNU 517	320	75	75	10.5	5	32	150	97.5	106.0	61	95	125	260	22	20	30	181	10.8
SNU 518-615	345	85	85	10.5	5	35	160	102.5	111.0	65	100	140	290	22	20	27	192	14.0
SNU 519-616	345	85	85	11.5	6	35	170	131.0	141.0	68	112	145	290	22	20	27	209	15.5
SNU 520-617	380	95	95	11.5	6	40	180	137.5	147.5	70	112	160	320	26	24	32	215	20.0
SNU 522-619	410	100	100	11.5	6	45	200	147.5	157.5	80	125	175	350	26	24	32	239	24.5
SNU 524-620	410	100	100	11.5	6	45	215	157.5	167.5	86	140	185	350	26	24	32	271	30.7
SNU 526	445	110	110	13.0	6	50	230	167.5	177.5	90	150	190	380	28	24	35	290	36.7
SNU 528	500	130	130	13.0	6	50	250	177.5	187.5	98	150	205	420	35	30	42	302	47.5
SNU 530	530	140	140	13.5	6	60	270	192.5	202.5	106	160	220	450	35	30	42	323	61.0
SNU 532	550	140	140	13.5	6	60	290	202.5	212.5	114	170	235	470	35	30	42	344	64.0

SNU 500-600 SERIES

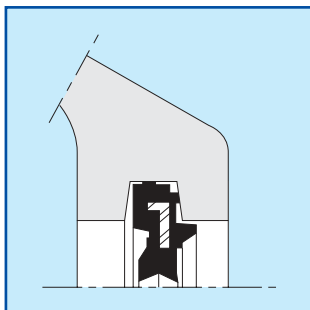
TABLE OF COMPONENTS

SHAFT ø mm	HOUSING REF	BEARING		ADAPTOR SLEEVE				LOCATING RING		END COVER
		SELF ALIGN BALL BEAR.	SPHER. ROLL BEARING	H	SEAL OPTIONS			REF	QTY	
					U-LOK	V - RING	LABYRINTH			
20	SNU 505	1205 K	-	H 205	U505	TSNA505	TS505U	FR52/5	2	505A
	SNU 505	2205 K	22205 K	H 305	U505	TSNA505	TS505U	FR52/7	1	505A
	SNU 506-605	1305 K	-	H 305	U605	TSNA605	TS605U	FR62/7.5	2	506A
	SNU 506-605	2305 K	-	H 2305	U605	TSNA605	TS605U	FR62/8	1	506A
25	SNU 506-605	1206 K	-	H 206	U506	TSNA506	TS506U	FR62/ 8	2	506A
	SNU 506-605	2206 K	22206 K	H 306	U506	TSNA506	TS506U	FR62/6	2	506A
	SNU 507-606	1306 K	-	H 306	U606	TSNA606	TS606U	FR72/7.5	2	507A
	SNU 507-606	2306 K	-	H 2306	U606	TSNA606	TS606U	FR72/7	1	507A
30	SNU 507-606	1207 K	-	H 207	U507	TSNA507	TS507U	FR72/8.5	2	507A
	SNU 508-607	1307 K	-	H 307	U607	TSNA607	TS607U	FR80/9	2	508A
	SNU 507-606	2207 K	22207 K	H 307	U507	TSNA507	TS507U	FR72/5.5	2	507A
	SNU 508-607	2307 K	-	H 2307	U607	TSNA607	TS607U	FR80/8	1	508A
35	SNU 508-607	1208 K	-	H 208	U508	TSNA508	TS508U	FR80/10.5	2	508A
	SNU 510-608	1308 K	21308 K	H 308	U608	TSNA608	TS608U	FR90/9	2	510A
	SNU 510-608	2308 K	22308 K	H 2308	U608	TSNA608	TS608U	FR90/ 8	1	510A
	SNU 508-607	2208 K	22208 K	H 308	U508	TSNA508	TS508U	FR80/8	2	508A
40	SNU 509	1209 K	-	H 209	U509	TSNA509	TS509U	FR85/5.5	2	509A
	SNU 511-609	1309 K	21309 K	H 309	U609	TSNA609	TS609U	FR100/9.5	2	511A
	SNU 511-609	2309 K	22309 K	H 2309	U609	TSNA609	TS609U	FR100/8	1	511A
	SNU 509	2209 K	22209 K	H 309	U509	TSNA509	TS509U	FR85/7	1	509A
45	SNU 510-608	1210 K	-	H 210	U510	TSNA510	TS510U	FR90/10.5	2	510A
	SNU 512-610	1310 K	21310 K	H 310	U610	TSNA610	TS610U	FR110/10.5	2	512A
	SNU 512-610	2310 K	22310 K	H 2310	U610	TSNA610	TS610U	FR110/8	1	512A
	SNU 510-608	2210 K	22210 K	H 310	U510	TSNA510	TS510U	FR90/9	2	510A
50	SNU 511-609	1211 K	-	H 211	U511	TSNA511	TS511U	FR100/11.5	2	511A
	SNU 513-611	1311 K	21311 K	H 311	U611	TSNA611	TS611U	FR120/11	2	513A
	SNU 513-611	2311 K	22311 K	H 2311	U611	TSNA611	TS611U	FR120/8	1	513A
	SNU 511-609	2211 K	22221 K	H 311	U511	TSNA511	TS511U	FR100/9.5	2	511A
55	SNU 512-610	1212 K	-	H 212	U512	TSNA512	TS512U	FR110/13	2	512A
	SNU 515-612	1312 K	21312 K	H 312	U612	TSNA612	TS612U	FR130/12.5	2	515A
	SNU 515-612	2312 K	22312 K	H 2312	U612	TSNA612	TS612U	FR130/10	1	515A
	SNU 512-610	2212 K	22212 K	H 312	U512	TSNA512	TS512U	FR110/10	2	512A
60	SNU 513-611	1213 K	-	H 213	U513	TSNA513	TS513U	FR120/14	2	513A
	SNU 516-613	1313 K	21313 K	H 313	U613	TSNA613	TS613U	FR140/12.5	2	516A
	SNU 516-613	2313 K	22313 K	H 2313	U613	TSNA613	TS613U	FR140/10	1	516A
	SNU 513-611	2213 K	22213 K	H 313	U513	TSNA513	TS513U	FR120/10	2	513A
65	SNU 515-612	1215 K	-	H 215	U515	TSNA515	TS515U	FR130/15.5	2	515A
	SNU 518-615	1315 K	21315 K	H 315	U615	TSNA615	TS615U	FR160/14	2	518A
	SNU 518-615	2315 K	22315 K	H 2315	U615	TSNA615	TS615U	FR160/10	1	518A
	SNU 515-612	2215 K	22215 K	H 315	U515	TSNA515	TS515U	FR130/12.5	2	515A
70	SNU 516-613	1216 K	-	H 216	U516	TSNA516	TS516U	FR140/16	2	516A
	SNU 519-616	1316 K	21316 K	H 316	U616	TSNA616	TS616U	FR170/14.5	2	519A
	SNU 519-616	2316 K	22316 K	H 2316	U616	TSNA616	TS616U	FR170/10	1	519A
	SNU 516-613	2216 K	22216 K	H 316	U516	TSNA516	TS516U	FR140/12.5	2	516A
75	SNU 517	1217 K	-	H 217	U517	TSNA517	TS517U	FR150/16.5	2	517A
	SNU 520-617	1317 K	21317 K	H 317	U617	TSNA617	TS617U	FR180/14.5	2	520A
	SNU 520-617	2317 K	22317 K	H 2317	U617	TSNA617	TS617U	FR180/10	1	520A
	SNU 517	2217 K	22217 K	H 317	U517	TSNA517	TS517U	FR150/12.5	2	517A

SNU 500-600 SERIES (continued)

TABLE OF COMPONENTS (continued)

SHAFT ø mm	HOUSING REF	BEARING		SEAL OPTIONS				LOCATING RING		END COVER
		SELF ALIGN BALL BEAR.	SPHER. ROLL BEARING	SLEEVE				REF	QTY	
				H	U-LOK	V - RING	LABRINTH			
80	SNU 518-615	1218 K	-	H 218	U518	TSNA518	TS518U	FR160/17.5	2	518A
	SNU 518-615	2218 K	22218 K	H 318	U518	TSNA518	TS518U	FR160/12.5	2	518A
	SNU 518-615	-	23218 K	H 2318	U518	TSNA518	TS518U	FR160/12.5	1	518A
85	SNU 519-616	1219 K	-	H 219	U519	TSNA519	TS519U	FR170/9	4	519A
	SNU 519-616	2219 K	22219 K	H 319	U519	TSNA519	TS519U	FR170/12.5	2	519A
	SNU 522-619	2319 K	22319 K	H 2319	U619	TSNA619	TS619U	FR200/13	1	522A
90	SNU 520-617	1220 K	-	H 220	U520	TSNA520	TS520U	FR180/9	4	520A
	SNU 524-620	1320 K	21320 K	H 320	U620	TSNA620	TS620U	FR215/13	3	524A
	SNU 524-620	2320 K	22320 K	H 2320	U620	TSNA620	TS620U	FR215/13	1	524A
	SNU 520-617	2220 K	22220 K	H 320	U520	TSNA520	TS520U	FR180/12	2	520A
	SNU 520-617	-	23220 K	H 2320	U520	TSNA520	TS520U	FR180/9.7	1	520A
100	SNU 522-619	1222 K	-	H 222	U522	TSNA522	TS522U	FR200/10.5	4	522A
	SNU 522-619	2222 K	22222 K	H 322	U522	TSNA522	TS522U	FR200/13.5	2	522A
	SNU 522-619	-	23222 K	H 2322	U522	TSNA522	TS522U	FR200/10	1	522A
110	SNU 524-620	-	22224 K	H 3124	U524	TSNA524	TS524U	FR215/14	2	524A
	SNU 524-620	-	23224 K	H 2324	U524	TSNA524	TS524U	FR215/10	1	524A
115	SNU 526	-	22226 K	H 3126	U526	TSNA526	TS526U	FR230/13	2	526A
	SNU 526	-	23226 K	H 2326	U526	TSNA526	TS526U	FR230/10	1	526A
125	SNU 528	-	22228 K	H 3128	U528	TSNA528	TS528U	FR250/15	2	528A
	SNU 528	-	23228 K	H 2328	U528	TSNA528	TS528U	FR250/10	1	528A
135	SNU 530	-	22230 K	H 3130	U530	TSNA530	TS530U	FR270/16.5	2	530A
	SNU 530	-	23230 K	H 2330	U530	TSNA530	TS530U	FR270/10	1	530A
140	SNU 532	-	22232 K	H 3132	U532	TSNA532	TS532U	FR290/17	2	532A
	SNU 532	-	23232 K	H 2332	U532	TSNA532	TS532U	FR290/10	1	532A



U-LOK SEALS IN TWO PARTS

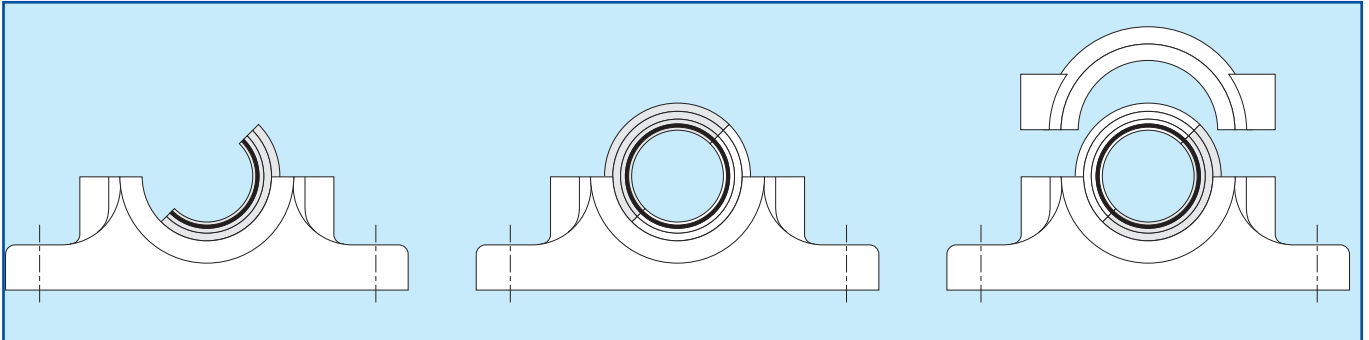
The U-LOK seal is a synthetic rubber seal in two parts reinforced by a steel washer which is highly resistant to hydrocarbons and abrasives. Two sealing lips keep the lubricant inside the casing and prevent the ingress of foreign material.

It's two part design allows it to be fitted and replaced without removal of either the bearing or the shaft.

The half-seals are completely interchangeable, facilitating storage and replacement.

Max. linear speed	8m/s
Max. misalignment	
Up to 100 mm diam.	1°
Above 100 mm diam.	0.5°
Temperature range	From -40° C to 100°C

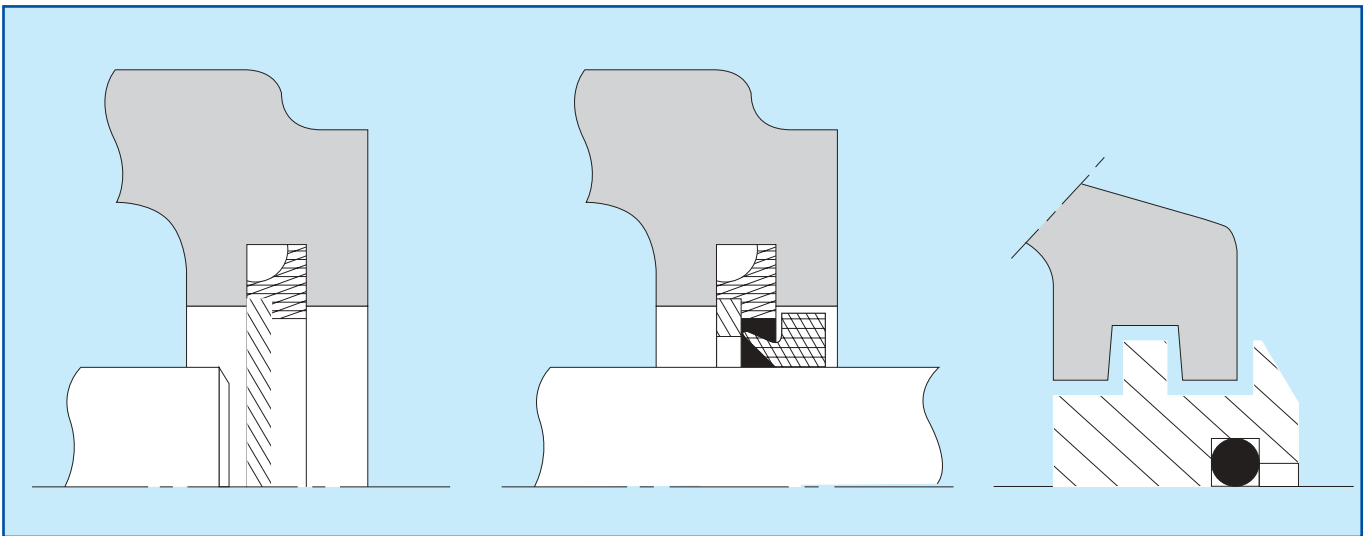
MOUNTING OF U-LOK SEAL



Mount one half-seal in the lower housing, offsetting the cutting plane by approximately 45°.

Position the other half-seal in the free section of the lower housing.

Assemble the upper cover, while ensuring the seals penetrate well into the grooves.



END COVER 500A

**V-RING SEAL
TSNA500 & TSNA600**

**LABYRINTH SEAL
TS500U & TS600U**

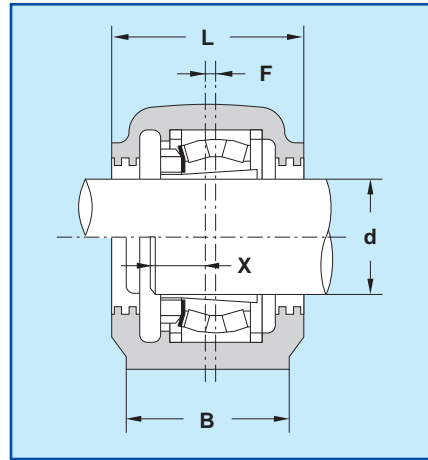
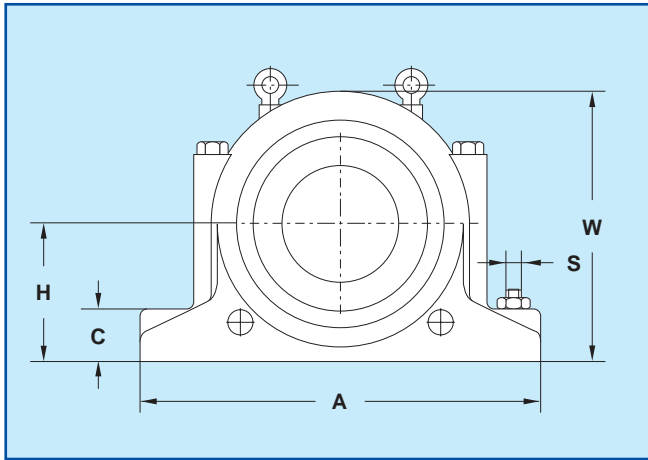
V-RING SEAL

Max. linear speed	12m/s
Max. misalignment	
Up to 50 mm diam.	1.5°
Up to 140 mm diam.	1°
Temperature range	from -40°C to 100°C

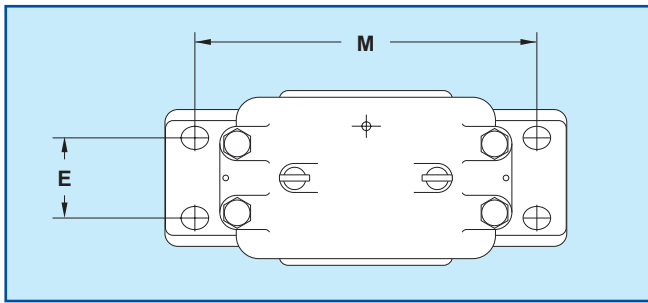
LABYRINTH SEAL

Max. linear speed	Limit speed
Max. misalignment	0.3°
Temperature range	From -40° C to 100° C

SD 3100 SERIES



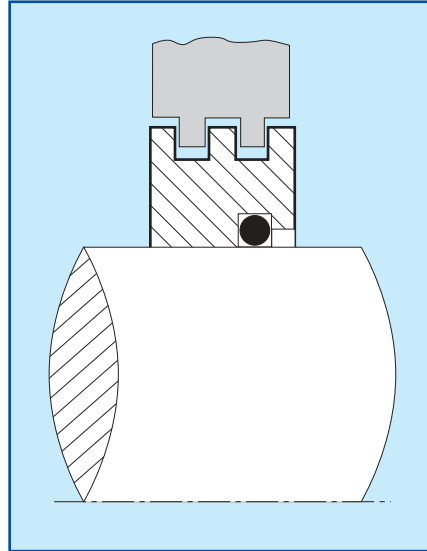
TRIPLE (TS) LABYRINTH SEAL AND END COVER



DIMENSIONS mm

SERIES	d													
	MM	INCH	A	B	C	E	F	H	L	M	S	W	X	Z
SD 3134	150	6	510	430	70	100	14	170	230	430	24	335	65	120
SD 3136	160	6½	530	450	75	110	15	180	240	450	24	355	68	130
SD 3138	170	6¾	560	480	80	120	10	190	260	480	24	375	80	140
SD 3140	180	7	610	510	85	130	10	210	280	510	30	410	82	150
SD 3144	200	-	640	540	90	140	12	220	290	540	30	435	90	155
SD 3148	220	-	700	600	95	150	12	240	310	600	30	475	100	160
SD 3152	240	-	770	650	100	160	13	260	320	650	36	515	105	170
SD 3156	260	-	790	670	105	160	16	280	320	670	36	550	105	170
SD 3160	280	-	830	710	100	190	22	300	350	710	36	590	110	190
SD 3164	300	-	880	750	115	200	23	320	370	750	36	630	120	200
SD 3168	320	-	965	840	120	240	25	340	390	840	45	670	135	220
SD 3172	340	-	1040	890	130	255	22	360	390	890	50	720	140	225
SD 3176	360	-	1120	980	135	255	22	380	405	980	55	750	140	240
SD 3180	380	-	1245	1050	140	270	22	400	405	1050	60	790	150	260

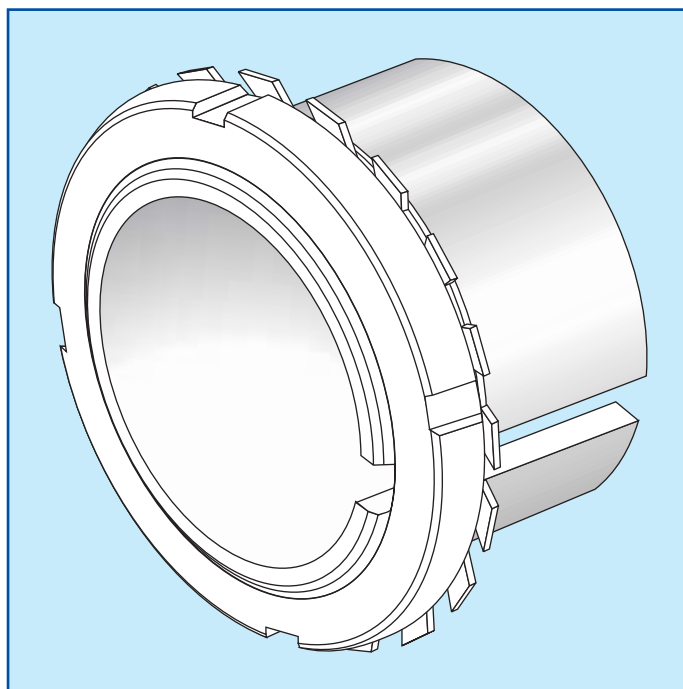
SD 3100 SERIES



TRIPLE LABYRINTH SEAL (TS)
TS36 = SEAL FOR SD3136

MASS kg	BEARINGS		ADAPTOR SLEEVE		LOCATING RING		SEAL OPTIONS		SERIES
	SPHERICAL ROLLER BEARING	METRIC	INCH	REF	QTY	LABYRINTH SEAL	END COVER		
70	23134K	H3134	HE3134	FR280/10	2	TS34	TSA34	SD 3134	
78	23136K	H3136	HE3136	FR300/10	2	TS36	TSA36	SD 3136	
96	23138K	H3138	HE3138	FR320/10	2	TS38	TSA38	SD 3138	
128	23140K	H3140	HE3140	FR340/10	2	TS40	TSA40	SD 3140	
146	23144K	H3144	-	FR370/10	2	TS44	TSA44	SD 3144	
164	23148K	H3148	-	FR400/10	2	TS48	TSA48	SD 3148	
220	23152K	H3152	-	FR440/10	2	TS52	TSA52	SD 3152	
225	23156K	H3156	-	FR460/10	2	TS56	TSA56	SD 3156	
282	23160K	H3160	-	FR500/10	2	TS60	TSA60	SD 3160	
339	23164K	H3164	-	FR540/10	2	TS64	TSA64	SD 3164	
549	23168K	H3168	-	FR580/10	2	TS68	TSA68	SD 3168	
560	23172K	H3172	-	FR600/10	2	TS72	TSA72	SD 3172	
776	23176K	H3176	-	FR620/10	2	TS76	TSA76	SD 3176	
700	23180K	H3180	-	FR650/10	2	TS80	TSA80	SD 3180	

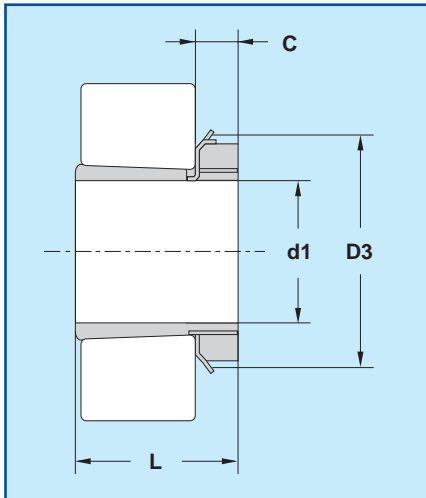
SLEEVES, LOCKNUTS AND WASHERS



SLEEVE CROSS REFERENCE TABLE

SLEEVES	H 200	H 300	H 2300	H 3000	H 3100	H 3200
BEARINGS						
RIGID RADIAL BALL BEARINGS	6211K to 6222K	6311K to 6322K	-	6224K to 6240K	6324K to 6340K	-
DOUBLE ROW SELF-ALIGNING BALL BEARINGS	1204K to 1222K	1304K to 1322K 2204K to 2222K	2304K to 2322K	-	-	-
SPHERICAL ROLLER BEARINGS	-	22205K to 22222K 21304K to 21322K	23218K to 23256K 22308K to 22356K	23024K to 230 / 500K	23122K to 230 / 500K 22224K to 22264K	23260K to 232 / 500K
CYLINDRICAL ROLLER BEARINGS	N206K to N222K NU204K to NU222K	NU2205K to NU2222K N306K to N322K NU304K to NU322K	NU2305K to NU2356K	N224K to N264K NU224K to NU264K N344K to N356K NU344K to NU356K	NU2224K to NU2264K N324K to N340K NU324K to NU340K	-

SLEEVES, LOCKNUTS AND WASHERS



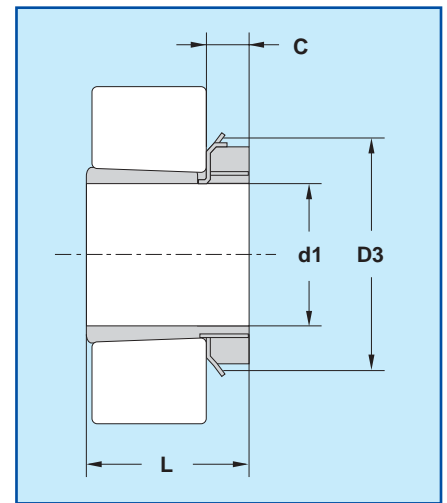
SERIES	H200 H300	Metric
	HE200 HE300 HS200 HS300 HA200	Inch

SLEEVE	d1				L mm	D3 mm	C mm	WEIGHT kg	NUT	LOCK WASHER
	H mm	HE	HS	HA						
H204	17	-	-	-	24	32	7	0.041	KM 04	MB 04
H205	20	3/4	7/8	-	26	38	8	0.070	KM 05	MB 05
H206	25	1	7/8	15/16	27	45	8	0.099	KM 06	MB 06
H207	30	-	1 1/8	1 3/16	29	52	9	0.125	KM 07	MB 07
H208	35	1 1/4	1 3/8	1 5/16	31	58	10	0.174	KM 08	MB 08
H209	40	1 1/2	1 5/8	1 7/16	33	65	11	0.227	KM 09	MB 09
H210	45	1 3/4	1 5/8	1 11/16	35	70	12	0.274	KM 10	MB 10
H211	50	2	1 7/8	1 15/16	37	75	12	0.308	KM 11	MB 11
H212	55	-	2 1/8	-	38	80	13	0.346	KM 12	MB 12
H213	60	2 1/4	2 3/8	2 3/16	40	85	14	0.401	KM 13	MB 13
H215	65	2 1/2	-	2 7/16	43	98	15	0.707	KM 15	MB 15
H216	70	2 3/4	-	2 11/16	46	105	17	0.882	KM 16	MB 16
H217	75	3	-	2 15/16	50	110	18	1.020	KM 17	MB 17
H218	80	-	-	3 3/16	52	120	18	1.190	KM 18	MB 18
H219	85	3 1/4	-	-	55	125	19	1.370	KM 19	MB 19
H220	90	3 1/2	-	3 7/16	58	130	20	1.490	KM 20	MB 20
H222	100	4	-	3 15/16	63	145	21	1.930	KM 22	MB 22
H304	17	-	-	-	28	32	7	0.045	KM 04	MB 04
H305	20	3/4	7/8	-	29	38	8	0.075	KM 05	MB 05
H306	25	1	7/8	15/16	31	45	8	0.109	KM 06	MB 06
H307	30	-	1 1/8	1 3/16	35	52	9	0.189	KM 07	MB 07
H308	35	1 1/4	1 3/8	1 5/16	36	58	10	0.248	KM 08	MB 08
H309	40	1 1/2	1 5/8	1 7/16	39	65	11	0.303	KM 09	MB 09
H310	45	1 3/4	1 5/8	1 11/16	42	70	12	0.345	KM 10	MB 10
H311	50	2 1/2	1 7/8	1 15/16	45	75	12	0.394	KM 11	MB 11
H312	55	2 3/4	2 1/8	-	47	80	13	0.458	KM 12	MB 12
H313	60	3	2 3/8	2 3/16	50	85	14	0.142	KM 13	MB 13
H315	65	3 1/4	-	2 7/16	55	98	15	0.831	KM 15	MB 15
H316	70	3 1/2	-	2 11/16	59	105	17	1.030	KM 16	MB 16
H317	75	-	-	2 15/16	63	110	18	1.180	KM 17	MB 17
H318	80	-	-	3 3/16	65	120	18	1.370	KM 18	MB 18
H319	85	-	-	-	68	125	19	1.560	KM 19	MB 19
H320	90	-	-	3 7/16	71	130	20	1.690	KM 20	MB 20
H322	100	4	-	3 15/16	77	145	21	2.180	KM 22	MB 22

The reference for the sleeve includes the nut and the lock washer.

SLEEVES, LOCKNUTS AND WASHERS

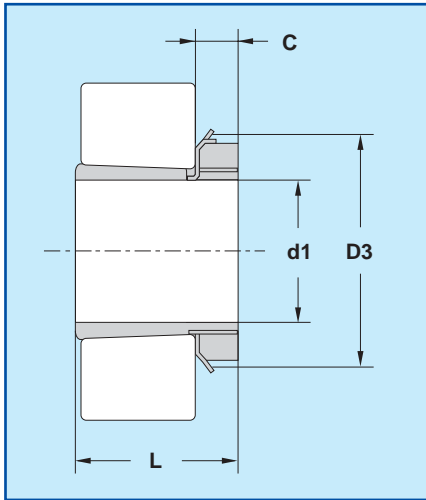
SERIES	H2300	Metric
	HE2300 HS2300 HA2300	Inch



SLEEVE	d1				L mm	D3 mm	C mm	WEIGHT kg	NUT	LOCK WASHER
	H mm	HE	HS	HA						
H2304	17	-	-	-	31	32	7	0.049	KM 04	MB 04
H2305	20	3/4	-	-	35	38	8	0.087	KM 05	MB 05
H2306	25	1	-	-	38	45	8	0.126	KM 06	MB 06
H2307	30	-	-	-	43	52	9	0.165	KM 07	MB 07
H2308	35	1 1/4	1 3/8	-	46	58	10	0.224	KM 08	MB 08
H2309	40	1 1/2	-	1 7/16	50	65	11	0.280	KM 09	MB 09
H2310	45	1 3/4	1 5/8	1 1/4	55	70	12	0.362	KM 10	MB 10
H2311	50	2	1 7/8	1 5/8	59	75	12	0.420	KM 11	MB 11
H2312	55	-	2 1/8	-	62	80	13	0.481	KM 12	MB 12
H2313	60	2 1/4	2 3/8	2 3/16	65	85	14	0.557	KM 13	MB 13
H2315	65	2 1/2	-	2 7/16	73	98	15	1.050	KM 15	MB 15
H2316	70	2 3/4	-	2 1/4	78	105	17	1.280	KM 16	MB 16
H2317	75	3	-	2 5/8	82	110	18	1.450	KM 17	MB 17
H2318	80	-	-	3 3/16	86	120	18	1.690	KM 18	MB 18
H2319	85	3 1/4	-	-	90	125	19	1.920	KM 19	MB 19
H2320	90	3 1/2	-	3 7/16	97	130	20	2.150	KM 20	MB 20
H2322	100	4	-	3 5/8	105	145	21	2.740	KM 22	MB 22
H2324	110	4 1/4	-	4 3/16	112	155	22	3.190	KM 24	MB 24
H2326	115	4 1/2	-	4 7/16	121	165	23	4.600	KM 26	MB 26
H2328	125	5	-	4 5/8	131	180	24	5.550	KM 28	MB 28
H2330	135	5 1/4	-	5 3/16	139	195	26	6.630	KM 30	MB 30
H2332	140	5 1/2	-	5 7/16	147	210	28	9.140	KM 32	MB 32
H2334	150	6	-	5 5/8	154	220	29	10.200	KM 34	MB 34
H2336	160	6 1/2	-	6 7/16	161	230	30	11.300	KM 36	MB 36
H2338	170	6 3/4	-	6 5/8	169	240	31	12.600	KM 38	MB 38
H2340	180	7	-	7 3/16	176	250	32	13.900	KM 40	MB 40
H2344	200	-	-	-	183	280	32	16.700	HM 44T	MB 44
H2348	220	-	-	-	196	300	34	19.700	HM 48T	MB 48
H2352	240	-	-	-	208	330	36	24.200	HM 52T	MB 52
H2356	260	-	-	-	221	350	38	27.800	HM 56T	MB 56

The reference for the sleeve includes the nut and the lock washer.

SLEEVES, LOCKNUTS AND WASHERS



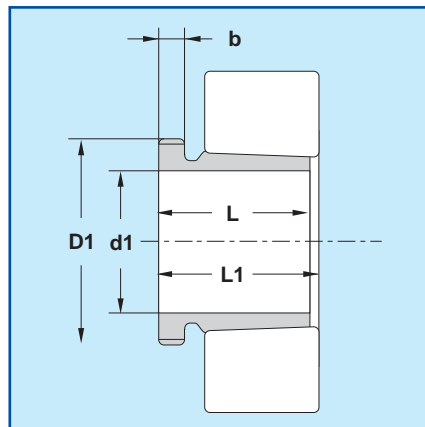
SERIES	H3000 H3100 H3200	Metric
	HE3100 HA3100	Inch

SLEEVE	d1			L mm	D3 mm	C mm	WEIGHT kg	NUT	LOCK WASHER
	H mm	HE	HA						
H3024	110	-	-	72	145	22	1.930	KML24	MBL24
H3026	115	-	-	80	155	23	2.850	KML26	MBL26
H3028	125	-	-	82	165	24	3.160	KML28	MBL28
H3030	135	-	-	87	180	26	3.890	KML30	MBL30
H3032	140	-	-	93	190	28	5.210	KML32	MBL32
H3034	150	-	-	101	200	29	5.990	KML34	MBL34
H3036	160	-	-	109	210	30	6.830	KML36	MBL36
H3038	170	-	-	112	220	31	7.450	KML38	MBL38
H3040	180	-	-	120	240	32	8.190	KML40	MBL40
H3044X	200	-	-	126	260	30	10.300	HM3044	MS3044
H3048	220	-	-	133	290	34	13.200	HM3048	MS3048
H3052X	240	-	-	145	310	34	15.300	HM3052	MS3052
H3056	260	-	-	152	330	38	17.700	HM3056	MS3056
H3060	280	-	-	168	360	42	22.800	HM3060	MS3060
H3064	300	-	-	171	380	42	24.600	HM3064	MS3064
H3124	110	4¼	4¾/16	88	155	22	2.640	KM 24	MB 24
H3126	115	4½	4⅞/16	92	165	23	3.660	KM 26	MB 26
H3128	125	5	4¹⁵/16	97	180	24	4.340	KM 28	MB 28
H3130	135	5¼	5³/16	111	195	26	5.520	KM 30	MB 30
H3132	140	5½	5⁷/16	119	210	28	7.670	KM 32	MB 32
H3134	150	6	5¹⁵/16	122	220	29	8.380	KM 34	MB 34
H3136	160	6½	6⁷/16	131	230	30	9.500	KM 36	MB 36
H3138	170	6¾	6¹⁵/16	141	240	31	10.800	KM 38	MB 38
H3140	180	7	7³/16	150	250	32	12.100	KM 40	MB 40
H3144	200	-	7¹⁵/16	158	280	32	14.700	HM 44T	MB 44
H3148	220	-	-	169	300	34	17.300	HM 48T	MB 48
H3152	240	-	-	187	330	36	22.000	HM 52T	MB 52
H3156	260	-	-	192	350	38	24.500	HM 56T	MB 56
H3160	280	-	-	208	380	40	30.200	HM 3160	MS 3160
H3164	300	-	-	226	400	42	34.900	HM 3164	MS 3164
H3168	320	-	-	254	440	55	49.500	HM 3168	MS 3168
H3172	340	-	-	259	460	58	54.200	HM 3172	MS 3172
H3176	360	-	-	264	490	60	61.700	HM 3176	MS 3176
H3180	380	-	-	272	520	62	70.600	HM 3180	MS 3180
H3184	400	-	-	304	540	70	84.200	HM 3184	MS 3184
H3260	280	-	-	240	380	40	34.100	HM 3160	MS 3160
H3264	300	-	-	258	400	42	39.300	HM 3164	MS 3164
H3268	320	-	-	288	440	55	54.600	HM 3168	MS 3168
H3272	340	-	-	299	460	58	60.200	HM 3172	MS 3172
H3276	360	-	-	310	490	60	69.600	HM 3176	MS 3176
H3280	380	-	-	328	520	62	81.000	HM 3180	MS 3180

The reference for the sleeve includes the nut and the lock washer.

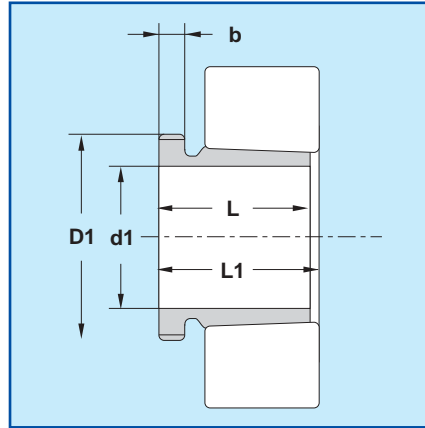
WITHDRAWAL SLEEVES

AH, AHX 300 AND AH, AHX 2300 SERIES



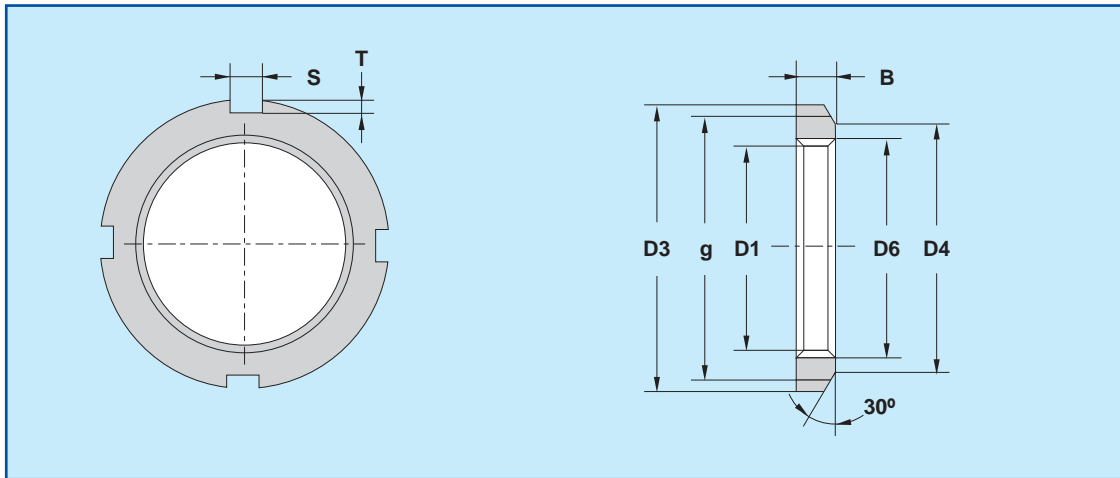
SLEEVE	d1 mm	D1 mm	L mm	L1 mm	b mm	WEIGHT kg	THREAD	NUT
AH 308	35	45	29	32	6	0.090	M 45 x 1.5	KM 09
AH 309	40	50	31	34	6	0.109	M 50 x 1.5	KM 10
AHX 310	45	55	35	38	7	0.137	M 55 x 2.0	KM 11
AHX 311	50	60	37	40	7	0.161	M 60 x 2.0	KM 12
AHX 312	55	65	40	43	8	0.189	M 65 x 2.0	KM 13
AHX 313	60	75	42	45	8	0.253	M 75 x 2.0	KM 15
AH 314	65	80	43	47	8	0.280	M 80 x 2.0	KM 16
AH 315	70	85	45	49	8	0.313	M 85 x 2.0	KM 17
AH 316	75	90	48	52	8	0.365	M 90 x 2.0	KM 18
AHX 317	80	95	52	56	9	0.429	M 95 x 2.0	KM 19
AHX 318	85	100	53	57	9	0.461	M 100 x 2.0	KM 20
AHX 319	90	105	57	61	10	0.532	M 105 x 2.0	KM 21
AHX 320	95	110	59	63	10	0.582	M 110 x 2.0	KM 22
AH 2308	35	45	40	43	7	0.128	M 45 x 1.5	KM 09
AH 2309	40	50	44	47	7	0.164	M 50 x 1.5	KM 10
AHX 2310	45	55	50	53	9	0.209	M 55 x 2.0	KM 11
AHX 2311	50	60	54	57	10	0.253	M 60 x 2.0	KM 12
AHX 2312	55	65	58	61	11	0.297	M 65 x 2.0	KM 13
AHX 2313	60	75	61	64	12	0.395	M 75 x 2.0	KM 15
AHX 2314	65	80	64	68	12	0.466	M 80 x 2.0	KM 16
AHX 2315	70	85	68	72	12	0.534	M 85 x 2.0	KM 17
AHX 2316	75	90	71	75	12	0.597	M 90 x 2.0	KM 18
AHX 2317	80	95	74	78	13	0.670	M 95 x 2.0	KM 19
AHX 2318	85	100	79	83	14	0.779	M 100 x 2.0	KM 20
AHX 2319	90	105	85	89	16	0.886	M 105 x 2.0	KM 21
AHX 2320	95	110	90	94	16	0.998	M 110 x 2.0	KM 22
AHX 2322	105	125	98	102	16	1.350	M 125 x 2.0	KM 25
AHX 2324	115	135	105	109	17	1.600	M 135 x 2.0	KM 27
AHX 2326	125	145	115	119	19	1.970	M 145 x 2.0	KM 29
AHX 2328	135	155	125	130	20	2.330	M 155 x 3.0	KM 31
AHX 2330	145	165	135	140	24	2.820	M 165 x 3.0	KM 33
AH 2332	150	180	140	146	24	4.720	M 180 x 3.0	KM 36
AH 2334	160	190	146	152	24	5.250	M 190 x 3.0	KM 38
AH 2336	170	200	154	160	26	5.830	M 200 x 3.0	KM 40
AH 2338	180	210	160	167	26	6.630	MTr 210 x 4.0	HM 42T
AH 2340	190	220	170	177	30	7.540	MTr 220 x 4.0	HM 44T
AH 2344	200	240	181	189	30	13.500	MTr 240 x 4.0	HM 48T
AH 2348	220	260	189	197	30	15.500	MTr 260 x 4.0	HM 52T
AH 2352	240	290	205	213	30	19.600	MTr 290 x 4.0	HM 58T
AH 2356	260	310	212	220	30	21.600	MTr 310 x 5.0	HM 62T

WITHDRAWAL SLEEVES AH, AHX 300 AND AH, AHX 2300 SERIES



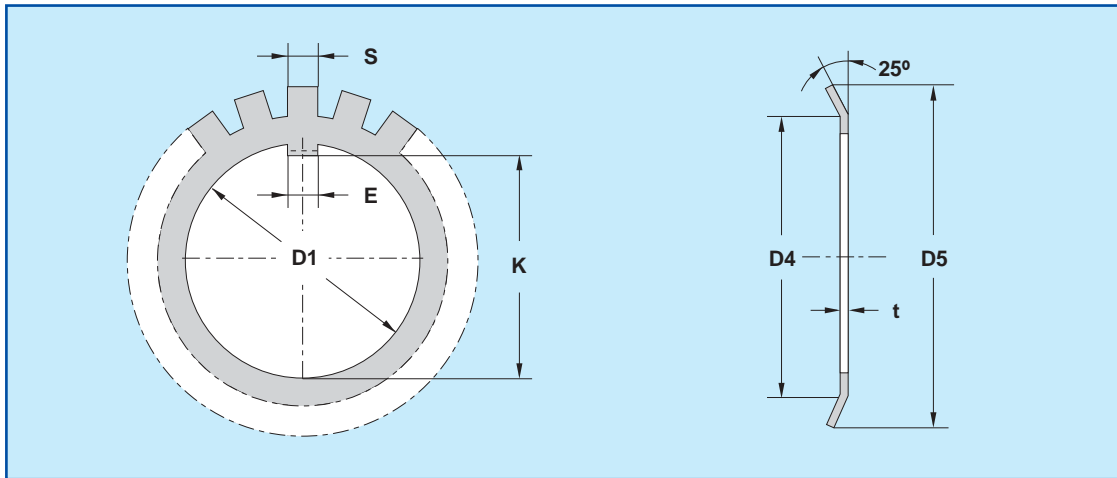
SLEEVE	d1 mm	D1 mm	L mm	L1 mm	b mm	WEIGHT kg	THREAD	NUT
AHX 3122	105	120	68	72	11	0.760	M 120 x 2	KM 24
AHX 3124	115	130	75	79	12	0.950	M 130 x 2	KM 26
AHX 3126	125	140	78	82	12	1.080	M 140 x 2	KM 28
AHX 3128	135	150	83	88	14	1.280	M 150 x 2	KM 30
AHX 3130	145	165	96	101	15	1.790	M 165 x 3	KM 33
AHX 3132	150	180	103	108	16	3.210	M 180 x 3	KM 36
AH 3134	160	190	104	109	16	3.400	M 190 x 3	KM 38
AH 3136	170	200	116	122	19	4.220	M 200 x 3	KM 40
AH 3138	180	210	125	131	20	4.890	MTr 210 x 4	HM 42T
AH 3140	190	220	134	140	21	5.490	MTr 220 x 4	HM 44T
AH 3144	200	240	145	151	23	10.400	MTr 240 x 4	HM 48T
AH 3148	220	260	154	161	25	12.000	MTr 260 x 4	HM 52T
AH 3152	240	290	172	179	26	16.200	MTr 290 x 4	HM 58T
AH 3156	260	310	175	183	28	17.500	MTr 310 x 5	HM 62T
AH 3160	280	330	192	200	30	20.800	MTr 330 x 5	HM 66T
AH 3164	300	350	209	217	31	24.500	MTr 350 x 5	HM 70T
AH 3168	320	370	225	234	33	29.000	MTr 370 x 5	HM 74T
AH 3172	340	400	229	238	35	33.000	MTr 400 x 5	HM 80T
AH 3176	360	420	232	242	36	35.700	MTr 420 x 5	HM 84T
AH 3180	380	440	240	250	38	39.500	MTr 440 x 5	HM 88T
AH 3184	400	460	266	276	40	46.500	MTr 460 x 5	HM 92T
AHX 3218	85	100	63	67	10	0.576	M 100 x 2	KM 20
AHX 3220	95	110	73	77	11	0.767	M 110 x 2	KM 22
AHX 3222	105	125	82	86	11	1.040	M 125 x 2	KM 25
AHX 3224	115	135	90	94	13	1.300	M 135 x 2	KM 27
AHX 3226	125	145	98	102	15	1.580	M 145 x 2	KM 29
AHX 3228	135	155	104	109	15	1.840	M 155 x 3	KM 31
AHX 3230	145	165	114	119	17	2.220	M 165 x 3	KM 33
AH 3232	150	180	124	130	20	4.080	M 180 x 3	KM 36
AH 3234	160	190	134	140	24	4.800	M 190 x 3	KM 38
AH 3236	170	200	140	146	24	5.320	M 200 x 3	KM 40
AH 3238	180	210	145	152	25	5.900	MTr 210 x 4	HM 42T
AH 3240	190	220	153	160	25	6.680	MTr 220 x 4	HM 44T

LOCKNUTS



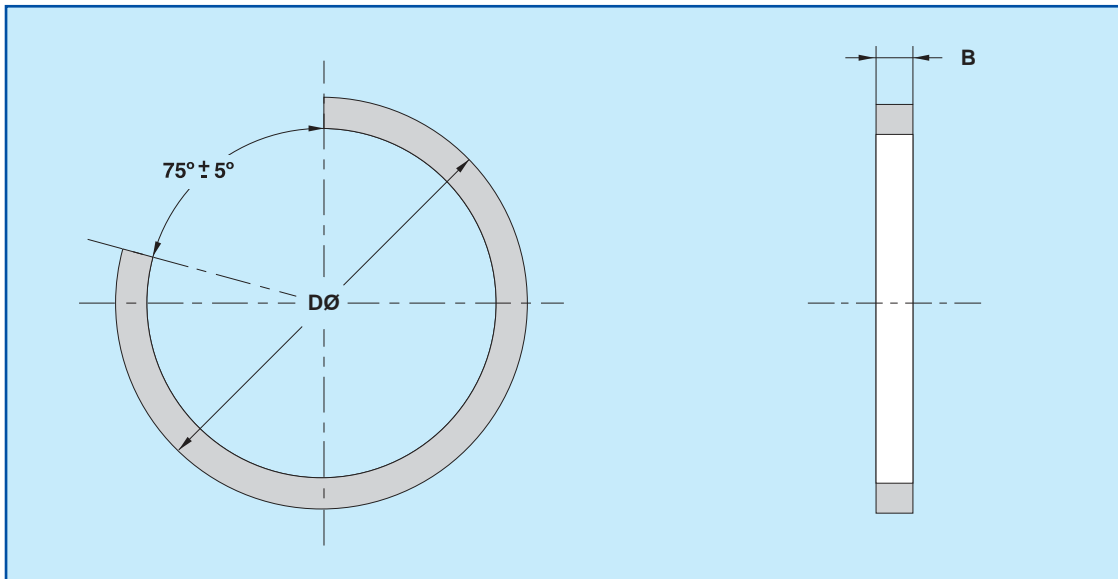
NUT	D3	D4	g	THREAD	B	S	T	D6	WASHER
KM 00	18	13	14	M 10 x 0.75	4	3	2	10.5	MB 00
KM 01	22	17	18	M 12 x 1.0	4	3	2	12.5	MB 01
KM 02	25	21	21	M 15 x 1.0	5	4	2	15.5	MB 02
KM 03	28	24	24	M 17 x 1.0	5	4	2	17.5	MB 03
KM 04	32	26	28	M 20 x 1.0	6	4	2	20.5	MB 04
KM 05	38	32	34	M 25 x 1.5	7	5	2	25.5	MB 05
KM 06	45	38	41	M 30 x 1.5	7	5	2	30.8	MB 06
KM 07	52	44	48	M 35 x 1.5	8	5	2	35.8	MB 07
KM 08	58	50	53	M 40 x 1.5	9	6	2.5	40.8	MB 08
KM 09	65	56	60	M 45 x 1.5	10	6	2.5	45.8	MB 09
KM 10	70	61	65	M 50 x 1.5	11	6	2.5	50.8	MB 10
KM 11	75	67	69	M 55 x 2.0	11	7	3	56.0	MB 11
KM 12	80	73	74	M 60 x 2.0	11	7	3	61.0	MB 12
KM 13	85	79	79	M 65 x 2.0	12	7	3	66.0	MB 13
KM 14	92	85	85	M 70 x 2.0	12	8	3.5	71.0	MB 14
KM 15	98	90	91	M 75 x 2.0	13	8	3.5	76.0	MB 15
KM 16	105	95	98	M 80 x 2.0	15	8	3.5	81.0	MB 16
KM 17	110	102	103	M 85 x 2.0	16	8	3.5	86.0	MB 17
KM 18	120	108	112	M 90 x 2.0	16	10	4	91.0	MB 18
KM 19	125	113	117	M 95 x 2.0	17	10	4	96.0	MB 19
KM 20	130	120	122	M 100 x 2.0	18	10	4	101.0	MB 20
KM 21	140	126	130	M 105 x 2.0	18	12	5	106.0	MB 21
KM 22	145	133	135	M 110 x 2.0	19	12	5	111.0	MB 22
KM 23	150	137	140	M 115 x 2.0	19	12	5	116.0	MB 23
KM 24	155	138	145	M 120 x 2.0	20	12	5	121.0	MB 24
KM 25	160	148	150	M 125 x 2.0	21	12	5	126.0	MB 25
KM 26	165	149	155	M 130 x 2.0	21	12	5	131.0	MB 26
KM 27	175	160	163	M 135 x 2.0	22	14	6	136.0	MB 27
KM 28	180	160	168	M 140 x 2.0	22	14	6	141.0	MB 28
KM 29	190	171	178	M 145 x 2.0	24	14	6	146.0	MB 29
KM 30	195	171	183	M 150 x 2.0	24	14	6	151.0	MB 30
KM 31	200	182	186	M 155 x 3.0	25	16	7	156.5	MB 31
KM 32	210	182	196	M 160 x 3.0	25	16	7	161.5	MB 32
KM 33	210	193	196	M 165 x 3.0	26	16	7	166.5	MB 33
KM 34	220	193	206	M 170 x 3.0	26	16	7	171.5	MB 34
KM 36	230	203	214	M 180 x 3.0	27	18	8	181.5	MB 36
KM 38	240	214	224	M 190 x 3.0	28	18	8	191.5	MB 38
KM 40	250	226	234	M 200 x 3.0	29	18	8	201.5	MB 40

LOCKING WASHERS MB



WASHER	D1	K	E	t	S	D4	D5	Number of splines	NUT
MB 00	10	8.5	3	1.0	3	13	21	9	KM 00
MB 01	12	10.5	3	1.0	3	17	25	9	KM 01
MB 02	15	13.5	4	1.0	4	21	28	13	KM 02
MB 03	17	15.5	4	1.0	4	24	32	13	KM 03
MB 04	20	18.5	4	1.0	4	26	36	13	KM 04
MB 05	25	23.0	5	1.2	5	32	42	13	KM 05
MB 06	30	27.5	5	1.2	5	38	49	13	KM 06
MB 07	35	32.5	6	1.2	5	44	57	15	KM 07
MB 08	40	37.5	6	1.2	6	50	62	15	KM 08
MB 09	45	42.5	6	1.2	6	56	69	17	KM 09
MB 10	50	47.5	6	1.2	6	61	74	17	KM 10
MB 11	55	52.5	8	1.2	7	67	81	17	KM 11
MB 12	60	57.5	8	1.5	7	73	86	17	KM 12
MB 13	65	62.5	8	1.5	7	79	92	19	KM 13
MB 14	70	67.5	8	1.5	8	85	98	19	KM 14
MB 15	75	71.5	8	1.5	8	90	104	19	KM 15
MB 16	80	76.5	10	1.8	8	95	112	19	KM 16
MB 17	85	81.5	10	1.8	8	102	119	19	KM 17
MB 18	90	86.5	10	1.8	10	108	126	19	KM 18
MB 19	95	91.5	10	1.8	10	113	133	19	KM 19
MB 20	100	96.5	12	1.8	10	120	142	19	KM 20
MB 21	105	100.5	12	1.8	12	126	145	19	KM 21
MB 22	110	105.5	12	1.8	12	133	154	19	KM 22
MB 23	115	110.5	12	2.0	12	137	159	19	KM 23
MB 24	120	115.0	14	2.0	12	138	164	19	KM 24
MB 25	125	120.0	14	2.0	12	148	170	19	KM 25
MB 26	130	125.0	14	2.0	12	149	175	19	KM 26
MB 27	135	130.0	14	2.0	14	160	185	19	KM 27
MB 28	140	135.0	16	2.0	14	160	192	19	KM 28
MB 29	145	140.0	16	2.0	14	171	202	19	KM 29
MB 30	150	145.0	16	2.0	14	171	205	19	KM 30
MB 31	155	147.5	16	2.5	16	182	212	19	KM 31
MB 32	160	154.0	18	2.5	16	182	217	19	KM 32
MB 33	165	157.5	18	2.5	16	193	222	19	KM 33
MB 34	170	164.0	18	2.5	16	193	232	19	KM 34
MB 36	180	174.0	20	2.5	18	203	242	19	KM 36
MB 38	190	184.0	20	2.5	18	214	252	19	KM 38
MB 40	200	194.0	20	2.5	18	226	262	19	KM 40

LOCATING RINGS



Locating Ring Dimensions FR (D x B)

FR 52 x 7	FR 100 x 6	FR 150 x 8	FR 215 x 10	FR 400 x 10
FR 52 x 10	FR 100 x 7	FR 150 x 10	FR 215 x 12	
	FR 100 x 8	FR 150 x 15	FR 215 x 13	FR 420 x 10
FR 62 x 6	FR 100 x 10	FR 150 x 16	FR 215 x 16	
FR 62 x 7	FR 100 x 11	FR 150 x 17		FR 440 x 10
FR 62 x 8	FR 100 x 12		FR 230 x 10	
FR 62 x 10		FR 160 x 10	FR 230 x 13	FR 460 x 10
	FR 110 x 8	FR 160 x 12		
FR 72 x 7	FR 110 x 10	FR 160 x 12.4	FR 240 x 10	FR 500 x 10
FR 72 x 8	FR 110 x 11	FR 160 x 16	FR 240 x 15	
FR 72 x 10	FR 110 x 12		FR 250 x 10	FR 540 x 10
FR 72 x 11	FR 110 x 15	FR 170 x 10	FR 250 x 15	
		FR 170 x 12		FR 580 x 10
FR 80 x 7	FR 120 x 15	FR 170 x 12.4	FR 260 x 10	
FR 80 x 8	FR 120 x 10	FR 170 x 17		FR 620 x 10
FR 80 x 10	FR 120 x 12		FR 270 x 10	
FR 80 x 11	FR 120 x 16	FR 180 x 9.7	FR 270 x 16	FR 650 x 10
		FR 180 x 10	FR 270 x 17	
FR 85 x 6	FR 130 x 10	FR 180 x 12		
FR 85 x 7	FR 130 x 15	FR 180 x 17	FR 280 x 10	
FR 85 x 8	FR 130 x 16		FR 280 x 17	
FR 85 x 10		FR 190 x 10		
FR 85 x 11	FR 140 x 7	FR 190 x 15	FR 290 x 10	
	FR 140 x 10	FR 190 x 16	FR 310 x 10	
FR 90 x 6	FR 140 x 15		FR 320 x 10	
FR 90 x 7	FR 140 x 16	FR 200 x 10	FR 340 x 10	
FR 90 x 8		FR 200 x 13	FR 360 x 10	
FR 90 x 10		FR 200 x 15	FR 370 x 10	
FR 90 x 11		FR 200 x 17	FR 380 x 10	



NOTES



EUROPEAN SALES OFFICES

UNITED KINGDOM

NSK UK LTD.
EUROPEAN BEARING BUSINESS UNIT,
NORTHERN ROAD, NEWARK,
NOTTINGHAMSHIRE, NG24 2JF, UK
TEL: 01636-605123, FAX: 01636-605000
e-mail: info-uk@nsk.com
www.eu.nsk.com

FRANCE

NSK FRANCE S.A.,
QUARTIER DE L'EUROPE, 2 RUE GEORGES GUYNEMER,
78283 GUYANCOURT, CEDEX, FRANCE
TEL: (01) 30-57-39-39, FAX: (01) 30-57-00-01
e-mail: info-fr@nsk.com

GERMANY

NSK DEUTSCHLAND GMBH.,
HAUPTVERWALTUNG, HARKORTSTRASSE 15,
40880 RATINGEN, DEUTSCHLAND
TEL: 0 21 02-4810, FAX: 0 21 02-4812290
e-mail: info-de@nsk.com

ITALY

NSK ITALIA S.P.A.,
VIA GARIBALDI, 215 C.P.103,
20024 GARBAGNATE,
MILANESE (MILANO), ITALIA
TEL: (02)-995-191, FAX: (02)-9902-5778 / 9902-8373
e-mail: info-it@nsk.com

SPAIN

NSK SPAIN, S.A. SOCIEDAD UNILATERAL,
CALLE DE LA HIDRÁULICA 5,
POLÍGONO INDUSTRIAL 'LA FERRERIA',
08110 MONTCADA I REIXAC, BARCELONA, ESPAÑA
TEL: (93)-575-4041, Fax: (93)-575-0520
e-mail: info-es@nsk.com

SCANDINAVIA

NSK NORWAY OFFICE,
OSTRE KULLEROD 5,
N.3241 SANDEFJORD, NORWAY
TEL: 47-332-93160, FAX: 47-334-29002
email: info-n@nsk.com

TURKEY

NSK RULMANLARI ORTA DOĞU TIC. LTD. ŞTİ.,
YALI MAH. FEVZI ÇAKMAK CAD.,
CAGLAR APT. NO 11/4,
MALTEPE, ISTANBUL, 81530, TURKEY
Tel: +90-216-442-7106, Fax: +90-216-305-5505
email: turkey@nsk.com

POLAND

NSK EUROPE LTD.,
WARSAW LIAISON OFFICE, ODDZIAL W WARSZAWIE,
UL. MIGDALOWA 4 LOK, 73, 02-796 WARSAW, POLAND
TEL: 48-22-645-1525, FAX: 48-22-645-1529

NSK CANADA INC.

5585 MCADAM ROAD, MISSISSAUGA, ONTARIO,
L4Z 1N4, CANADA
TEL: (905)-890-0740, FAX: (905)-890-0434

NSK NEW ZEALAND LTD.

3 TE APUNGA PLACE, MT. WELLINGTON,
AUCKLAND, NEW ZEALAND
TEL: (09)-276-4992, FAX: (09)-276-4082

NSK AUSTRALIA PTY. LTD.

11 DALMORE DRIVE, SCORESBY, VICTORIA 3179,
AUSTRALIA
TEL: (03)-9764-8302, FAX: (03)-9764-8304

NSK SOUTH AFRICA (PTY) LTD.

25 GALAXY AVENUE, LINBRO BUSINESS PARK,
SANDTON, P.O. BOX 1157, KELVIN, 2054,
SOUTH AFRICA
TEL: (011)-608-2180, FAX: (011)-608-2185

NSK SINGAPORE (PTE) LTD.

48 TOH GUAN ROAD #02-03,
SINGAPORE 608837
TEL: 65-278-1711, FAX: 65-273-0253

NSK CORPORATION

3861 RESEARCH PARK DRIVE, P.O. BOX 1507,
ANN ARBOR, M1 48108,
TEL: 734-761-9500/800-366-7471,
FAX: 734-761-9510

NSK LATIN AMERICA INC.

2500 NW 107 AVENUE, SUITE 300, MIAMI,
FLORIDA 33172, USA
TEL: 305-477-0605, FAX: 305-477-0377

Every care has been taken to ensure the information in this publication is accurate but no liability can be accepted for any errors or omissions.

© Copyright NSK 2002
The contents of this publication are the copyright of the publishers

Printed in England Ref:PBH/A/E/E//6.02

