





Single row tapered roller bearings



Double row tapered roller bearings



Four row tapered roller bearings

1. Types, design features, and characteristics

Tapered roller bearings are designed so the tapered vertex of the raceway surfaces of the inner and outer rings and rollers converge at one point on the centerline of the bearing.

Due to this design feature, rollers move along the center of the raceway surfaces. The tapered rollers are guided by the compound force of the inner and outer raceway surfaces which keep them pressed up against the large rib on the inner ring. A large variety of these bearings, including single, double, and four row arrangements, are in use both in metric and inch series.

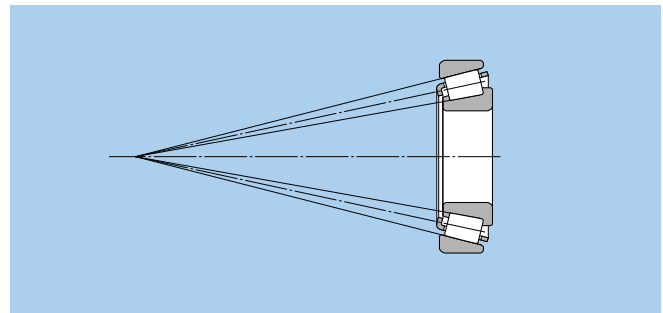



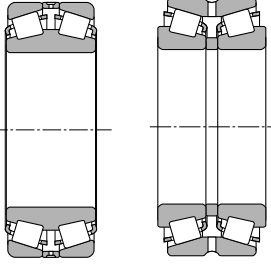
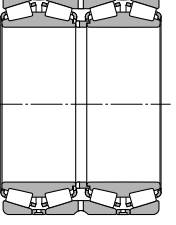
Diagram 1.

Table 1 Tapered roller bearing types and characteristics

Type	Characteristics									
<p>Single row tapered roller bearings</p>	<p>(1) There are both metric and inch series, and they have been standardized as shown in the following table.</p> <p>Dimension series</p> <table border="1" data-bbox="395 1283 1115 1451"> <thead> <tr> <th></th> <th>Metric series</th> <th>Inch series</th> </tr> </thead> <tbody> <tr> <td>Regulations</td> <td> <ul style="list-style-type: none"> ● JIS B 1512 ● ISO 355 </td> <td> <ul style="list-style-type: none"> ● ABMA (includes metric J-series) </td> </tr> <tr> <td>Basic number</td> <td>Example, 30210 * T2EE040</td> <td>Inner ring no. / outer ring no. ("J" appears at the beginning of the basic number in the case of J-series.)</td> </tr> </tbody> </table> <p>* Dimension series previously not covered by 3XX are regulated under JIS B 1512; dimensions previously missing from 3XX will henceforth use the bearing number.</p> <p>(2) In addition to level type, there are also medium contact angle and large contact angle types, and the contact angle code C and D, respectively, is appended to the basic numbers of the latter two types.</p> <p>(3) Subunits Tapered roller bearings can be disassembled into parts the inner ring, rollers, and cage (collectively known as the "cone") and the outer ring (known as the "cup"). These are the bearing's "subunits". Subunit dimensions are standardized under ISO or ABMA standards, and unified subunits are interchangeable within each dimensional standard. However, high precision grade bearings are generally not interchangeable, and these subunits must be used by assembling only subunits with identical manufacturing numbers. Aside from any cautionary notes that may appear, the single row tapered roller bearings listed in the dimension tables have subunits standardized for both metric and inch systems (including J series). (Refer to Diagram 2)</p> <div data-bbox="395 1809 900 2056"> <p>Subunit dimensions</p> <p>E : Outer ring (cup) nominal small-end diameter α : Nominal contact angle</p> <p>Diagram 2.</p> </div>		Metric series	Inch series	Regulations	<ul style="list-style-type: none"> ● JIS B 1512 ● ISO 355 	<ul style="list-style-type: none"> ● ABMA (includes metric J-series) 	Basic number	Example, 30210 * T2EE040	Inner ring no. / outer ring no. ("J" appears at the beginning of the basic number in the case of J-series.)
	Metric series	Inch series								
Regulations	<ul style="list-style-type: none"> ● JIS B 1512 ● ISO 355 	<ul style="list-style-type: none"> ● ABMA (includes metric J-series) 								
Basic number	Example, 30210 * T2EE040	Inner ring no. / outer ring no. ("J" appears at the beginning of the basic number in the case of J-series.)								

Continued on next page ➔

Table 1 (continued)

Type	Characteristics
<p>Single row tapered roller bearings</p>	<p>(4) These bearings are constructed to have a high capacity for radial loads, axial loads, and combined loads. The larger the contact angle, the greater the axial load capacity becomes. When a pure radial load is placed on the bearings, an induced load in the axial direction is also generated, and so these bearings are generally used in pairs arranged face to face.</p> <p>(5) When used in pairs, proper internal clearances and preload can be set by adjusting the distance between the two bearings' inner and outer rings.</p> <p>(6) Single row tapered roller bearings are separable, so both the inner and outer rings can be used with tight fits.</p> <p>(7) Tapered roller bearings are also manufactured with flanges attached to the outer rings. For more details, contact NTN Engineering. (Refer to Diagram 3)</p> <div data-bbox="1161 443 1485 779" style="text-align: center;">  <p>Diagram 3.</p> </div>
<p>Double row tapered roller bearings</p>	<p>(1) Back-to-back arrangement (using double row outer rings) and face-to-face arrangement (using double row inner rings) are both available, and they have been adjusted so that each type's internal clearance values are fixed. Therefore, only parts with identical manufacturing numbers can be used and they must be assembled according to their code numbers. (Refer to Diagram 4)</p> <p>(2) The axial internal clearances for double and duplex bearings are listed in Table 8, 9 on pages A-58.</p> <p>(3) Pairs of duplex single row tapered roller bearings are also manufactured. For more details, contact NTN Engineering.</p> <div data-bbox="1161 853 1485 1189" style="text-align: center;">  <p>Face-to-face Back-to-back</p> <p>Diagram 4.</p> </div>
<p>Four row tapered roller bearings</p>	<p>(1) As shown in Diagram 5, four row tapered roller bearings are constructed of two double row inner rings and two double row outer rings.</p> <p>(2) Life of large bearings is extended by using case hardened steel, hollow rollers and pin-type cages.</p> <p>(3) Used primarily where heavy load capacity is important, and in the roller necks of rolling mills.</p> <div data-bbox="1161 1234 1485 1503" style="text-align: center;">  <p>Diagram 5.</p> </div>

2. Standard cage type

In general, pressed cages are used in tapered roller bearings.

However, for large sized bearings, machined or pin type cages are also used; and for small sized bearings, molded resin cages are also used.

3. Allowable misalignment

<p>Single row and back-to-back arrangement:0.0005rad (1.5')</p> <p>Face-to-face arrangement:0.001rad (3.5')</p>

In situations where large displacement is necessary, please consult NTN Engineering.

4. Precautions when using

If bearing load is light during operation, or if the ratio of axial to radial load for duplex and double row bearings exceeds the value of e , slipping develops between the rollers and raceway, sometimes resulting in smearing. The mass of rollers and cages particularly tends to be large for large tapered roller bearings. For details, please contact NTN Engineering.

5. ECO-Top tapered roller bearings

In recent years, there has been an increasing demand for small and medium tapered roller bearings that contribute to energy savings, higher output, longer life, higher speed and more efficient assembly, particularly for automobiles. NTN Engineering is responding to this demand by providing bearings with special specifications based on 4Top tapered roller bearings, which are standard bearings.

In order to contribute to the ecology movement, in addition to enhancing existing special specifications, NTN Engineering has developed the next-generation NTN Engineering tapered roller bearing **ECO-Top tapered roller bearing** having improved long life, low torque, anti-seizure, easy assembly specifications. The features are as follows (compared with NTN Engineering standard bearings):

- (1) Ten times longer life using contaminated lubricant
- (2) Two times longer life using clean lubricant
- (3) At least 10% lower torque in practical rotation range
- (4) 25% better anti-seizure performance
- (5) Two times better loss-of-preload resistance
- (6) Half reduced number of revolutions to stable assembled bearing width

For details, please contact NTN Engineering.



Eco-Top tapered roller bearings



Inch series Tapered Roller Bearings (single row) index

Series number	Cone / cup number	Page of bearing dimension table
335	336 / 332	B-173
335	339 / 332	B-169
335	344 / 332	B-171
355	350A / 354A	B-171
355	355 / 354A	B-173
355	358 / 354A	B-175
355	359A / 354A	B-175
355	359S / 352	B-175
365	365 / 362A	B-177
365	366 / 362A	B-177
365	367 / 362A	B-175
365	368 / 362A	B-177
365	368A / 362	B-177
365	368S / 362A	B-179
365	369A / 362A	B-175
365	370A / 362A	B-177
385	385 / 382A	B-181
385	385A / 382A	B-181
385	386A / 382A	B-175
385	387 / 382A	B-181
385	387A / 382A	B-181
385	387A / 382A	B-181
385	387S / 382A	B-181
385	388A / 382A	B-181
385	389 / 382A	B-181
385	389A / 382A	B-179
395	390 / 394A	B-181
395	390A / 394A	B-183
395	392 / 394A	B-183
395	395A / 394A	B-185
395	396 / 394A	B-177
395	397 / 394A	B-183
395	399A / 394A	B-185
415	418 / 414	B-171
415	420 / 414	B-171
435	436 / 432	B-175
435	438 / 432	B-173
455	455 / 453X	B-179
455	460 / 453X	B-173
455	462 / 453X	B-181
455	463 / 453X	B-175
455	469 / 453A	B-181
455	469 / 453X	B-181
455	469 / 454	B-181
475	477 / 472	B-183
475	480 / 472	B-185
475	482 / 472	B-185
475	483 / 472	B-183
475	484 / 472	B-187
495	495 / 493	B-189
495	495A / 493	B-187
495	495AS / 493	B-189
495	496 / 493	B-189
495	497 / 492A	B-191

Series number	Cone / cup number	Page of bearing dimension table
495	498 / 493	B-191
525	527 / 522	B-173
525	528 / 522	B-175
525	529 / 522	B-179
535	537 / 532X	B-179
535	539 / 532X	B-179
535	543 / 532X	B-171
555	555 / 552A	B-179
555	555S / 552A	B-181
555	557S / 552A	B-179
555	558 / 552A	B-183
555	559 / 552A	B-183
555	560 / 552A	B-185
555	560S / 552A	B-185
565	565 / 563	B-183
565	566 / 563	B-185
565	567 / 563	B-187
565	567A / 563	B-187
565	568 / 563	B-187
575	575 / 572	B-187
575	575S / 572	B-187
575	576 / 572	B-187
575	577 / 572	B-187
575	580 / 572	B-189
575	581 / 572	B-189
575	582 / 572	B-189
595	593 / 592A	B-191
595	594 / 592A	B-193
595	594A / 592XE	B-193
595	595 / 592A	B-189
595	596 / 592A	B-191
595	598A / 592A	B-191
615	619 / 612	B-179
615	621 / 612	B-179
615	623 / 612	B-181
635	639 / 632	B-183
635	641 / 632	B-185
635	641 / 633	B-185
635	643 / 632	B-185
635	644 / 632	B-187
655	655 / 653	B-185
655	659 / 653	B-187
655	661 / 653	B-189
655	663 / 652	B-189
655	663 / 653	B-189
655	665 / 653	B-191
675	681 / 672	B-191
675	683 / 672	B-193
675	685 / 672	B-193
675	687 / 672	B-193
745	740 / 742	B-189
745	744 / 742	B-187
745	745A / 742	B-185
745	748S / 742	B-187

Series number	Cone / cup number	Page of bearing dimension table
745	749 / 742	B-191
745	749A / 742	B-189
755	756A / 752	B-189
755	757 / 752	B-189
755	758 / 752	B-191
755	759 / 752	B-191
755	760 / 752	B-191
775	780 / 772	B-193
775	782 / 772	B-193
795	799 / 792	B-195
795	799A / 792	B-195
835	835 / 832	B-185
835	842 / 832	B-189
835	850 / 832	B-191
855	861 / 854	B-193
895	896 / 892	B-197
895	898 / 892	B-197
935	936 / 932	B-193
935	938 / 932	B-195
935	941 / 932	B-193
1200	1280 / 1220	B-161
1300	1380 / 1328	B-161
1300	1380 / 1329	B-161
1700	1755 / 1729	B-161
1700	1775 / 1729	B-161
1700	1779 / 1729	B-163
1700	1780 / 1729	B-163
1900	1985 / 1930	B-163
1900	1985 / 1931	B-165
1900	1985 / 1932	B-165
2400	2474 / 2420	B-165
2500	2558 / 2523	B-165
2500	2578 / 2523	B-165
2500	2580 / 2520	B-167
2500	2580 / 2523	B-167
2500	2582 / 2523	B-167
2500	2585 / 2523	B-167
2600	2682 / 2631	B-163
2600	2687 / 2631	B-163
2600	2688 / 2631	B-163
2600	2689 / 2631	B-165
2600	2690 / 2631	B-165
2700	2776 / 2720	B-171
2700	2780 / 2720	B-169
2700	2785 / 2720	B-167
2700	2788 / 2720	B-171
2700	2789 / 2720	B-171
2700	2793 / 2720	B-167
2700	2793 / 2729	B-169
2700	2793 / 2735X	B-167
2800	2878 / 2820	B-167
2800	2879 / 2820	B-167
2900	2984 / 2924	B-175
3100	3187 / 3120	B-165

Inch series Tapered Roller Bearings (single row) index

Series number	Cone / cup number	Page of bearing dimension table	Series number	Cone / cup number	Page of bearing dimension table	Series number	Cone / cup number	Page of bearing dimension table
3100	3188 / 3120	B-167	6500	6576 / 6535	B-189	15000	15112 / 15245	B-165
3100	3193 / 3120	B-167	6500	6580 / 6535	B-191	15000	15116 / 15245	B-165
3100	3196 / 3120	B-167	02400	02474 / 02420	B-165	15000	15117 / 15245	B-165
3300	3379 / 3320	B-169	02400	02475 / 02420	B-167	15000	15118 / 15245	B-165
3300	3382 / 3321	B-171	02400	02476 / 02420	B-167	15000	15119 / 15245	B-165
3300	3382 / 3339	B-171	02800	02872 / 02820	B-165	15000	15120 / 15245	B-165
3300	3386 / 3320	B-171	02800	02875 / 02820	B-167	15000	15123 / 15245	B-165
3400	3476 / 3420	B-167	02800	02877 / 02820	B-167	15000	15125 / 15245	B-165
3400	3478 / 3420	B-169	02800	02878 / 02820	B-167	15000	15126 / 15245	B-167
3400	3479 / 3420	B-169	03000	03062 / 03162	B-161	15500	15580 / 15523	B-163
3400	3490 / 3420	B-171	05000	05062 / 05185	B-161	15500	15590 / 15520	B-163
3500	3576 / 3525	B-173	05000	05066 / 05185	B-161	15500	15590 / 15523	B-165
3500	3578 / 3520	B-173	05000	05075 / 05185	B-161	16000	16137 / 16284	B-167
3500	3578 / 3525	B-173	05000	05079 / 05185	B-161	17000	16150 / 16282	B-169
3500	3579 / 3525	B-173	07000	07079 / 07196	B-161	17000	17118 / 17244	B-165
3500	3580 / 3525	B-171	07000	07087 / 07196	B-161	17000	17119 / 17244	B-165
3500	3586 / 3525	B-175	07000	07093 / 07196	B-163	17500	17580 / 17520	B-161
JS3500	JS3549A / JS3510	B-169	07000	07096 / 07196	B-163	18500	18590 / 18520	B-171
3700	3767 / 3720	B-179	07000	07097 / 07196	B-163	18600	18685 / 18620	B-173
3700	3775 / 3720	B-177	07000	07098 / 07196	B-163	18600	18690 / 18620	B-175
3700	3776 / 3720	B-175	07000	07100 / 07196	B-163	18700	18790 / 18720	B-177
3700	3777 / 3720	B-175	07000	07100 / 07204	B-163	18700	18790 / 18724	B-177
3700	3778 / 3720	B-175	07000	07100S / 07196	B-163	19000	19150 / 19281	B-169
3700	3780 / 3720	B-177	09000	09062 / 09195	B-161	21000	21075 / 21212	B-161
3700	3780 / 3726	B-177	09000	09067 / 09195	B-161	22700	22780 / 22720	B-173
3700	3780 / 3732	B-177	09000	09067 / 09196	B-161	23000	23100 / 23256	B-163
3700	3781 / 3720	B-177	09000	09078 / 09195	B-161	24700	24780 / 24720	B-171
3700	3782 / 3720	B-173	09000	09081 / 09195	B-161	25500	25572 / 25520	B-171
3800	3872 / 3820	B-169	11000	11162 / 11300	B-171	25500	25577 / 25520	B-173
3800	3875 / 3820	B-171	11000	11162 / 11315	B-171	25500	25578 / 25520	B-173
3800	3880 / 3820	B-173	11500	11590 / 11520	B-161	25500	25580 / 25520	B-173
3900	3975 / 3920	B-179	LM11700	LM11749 / LM11710	B-161	25500	25582 / 25520	B-173
3900	3979 / 3920	B-181	LM11900	LM11949 / LM11910	B-161	25500	25584 / 25520	B-175
3900	3980 / 3920	B-183	12000	12175 / 12303	B-173	25500	25590 / 25519	B-175
3900	3982 / 3920	B-183	12500	12580 / 12520	B-161	25500	25590 / 25520	B-175
3900	3984 / 3925	B-185	M12600	M12648 / M12610	B-161	25500	25590 / 25522	B-175
3900	3994 / 3920	B-185	M12600	M12649 / M12610	B-161	25500	25590 / 25526	B-175
A4000	A4050 / A4138	B-161	LM12700	LM12749 / LM12711	B-161	25500	25592 / 25520	B-175
A4000	A4059 / A4138	B-161	13600	13685 / 13621	B-169	25800	25877 / 25820	B-167
4300	4388 / 4335	B-173	13600	13687 / 13621	B-169	25800	25877 / 25821	B-167
4300	4395 / 4335	B-173	13800	13889 / 13830	B-169	25800	25880 / 25821	B-169
5300	5395 / 5335	B-177	14000	14116 / 14274	B-165	26800	26878 / 26822	B-171
5500	5578 / 5535	B-179	14000	14116 / 14276	B-165	26800	26880 / 26822	B-171
5500	5583 / 5535	B-183	14000	14117A / 14276	B-165	26800	26882 / 26823	B-171
5500	5584 / 5535	B-183	14000	14124 / 14276	B-167	26800	26882 / 26824	B-173
5700	5760 / 5735	B-187	14000	14125A / 14276	B-167	26800	26883 / 26822	B-169
A6000	A6075 / A6157	B-161	14000	14130 / 14276	B-167	26800	26884 / 26822	B-173
6200	6277 / 6220	B-175	14000	14137A / 14276	B-167	26800	26885 / 26822	B-171
6300	6379 / 6320	B-185	14000	14139 / 14276	B-169	27600	27687 / 27620	B-189
6300	6386 / 6320	B-185	15000	15100 / 15245	B-163	27600	27689 / 27620	B-189
6400	6460 / 6420	B-187	15000	15101 / 15243	B-163	27600	27690 / 27620	B-189
6400	6461 / 6420	B-189	15000	15102 / 15245	B-163	27600	27691 / 27620	B-189
6400	6461A / 6420	B-187	15000	15103 / 15245	B-163	27800	27880 / 27820	B-171
6500	6559C / 6535	B-189	15000	15106 / 15245	B-163	28000	28150 / 28300	B-171

Inch series Tapered Roller Bearings (single row) index

Series number	Cone / cup number	Page of bearing dimension table
28000	28150 / 28315	B-171
28000	28158 / 28300	B-171
28500	28579 / 28521	B-177
28500	28580 / 28521	B-177
28500	28584 / 28521	B-179
28600	28678 / 28622	B-177
28600	28680 / 28622	B-181
28600	28682 / 28622	B-181
28900	28985 / 28921	B-183
28900	28990 / 28920	B-183
28900	28995 / 28920	B-183
29500	29585 / 29520	B-183
29500	29585 / 29521	B-183
29500	29586 / 29520	B-183
29500	29590 / 29520	B-185
29600	29675 / 29620	B-185
29600	29675 / 29630	B-185
29600	29685 / 29620	B-187
29600	29688 / 29620	B-187
LM29700	LM29748 / LM29710	B-169
31500	31593 / 31520	B-169
31500	31594 / 31520	B-169
31500	31597 / 31520	B-169
33000	33225 / 33462	B-181
33000	33275 / 33462	B-185
33000	33281 / 33462	B-187
33000	33287 / 33462	B-187
33800	33885 / 33821	B-173
33800	33889 / 33821	B-177
33800	33890 / 33821	B-179
33800	33895 / 33822	B-179
34000	34274 / 34478	B-185
34000	34300 / 34478	B-187
34000	34301 / 34478	B-187
34000	34306 / 34478	B-189
36600	36690 / 36620	B-197
36900	36990 / 36920	B-197
37000	37425 / 37625	B-193
37000	37431 / 37625	B-193
39500	39575 / 39520	B-179
39500	39580 / 39520	B-181
39500	39581 / 39520	B-181
39500	39585 / 39520	B-183
39500	39590 / 39520	B-185
41000	41125 / 41286	B-165
42000	42346 / 42584	B-191
42000	42350 / 42584	B-191
42000	42368 / 42584	B-191
42000	42375 / 42584	B-193
42000	42381 / 42584	B-193
42600	42687 / 42620	B-187
42600	42690 / 42620	B-189
43000	43131 / 43312	B-167
44000	44143 / 44348	B-169

Series number	Cone / cup number	Page of bearing dimension table
44000	44150 / 44348	B-171
44000	44158 / 44348	B-171
L44600	L44640 / L44610	B-163
L44600	L44643 / L44610	B-163
L44600	L44649 / L44610	B-163
45200	45280 / 45220	B-175
45200	45282 / 45220	B-177
45200	45284 / 45220	B-179
45200	45287 / 45220	B-179
45200	45289 / 45220	B-181
L45400	L45449 / L45410	B-165
46000	46162 / 46368	B-173
46000	46175 / 46368	B-173
46000	46780 / 46720	B-197
46000	46790 / 46720	B-197
47400	47487 / 47420	B-185
47400	47490 / 47420	B-187
47600	47678 / 47620	B-187
47600	47681 / 47620	B-189
47600	47686 / 47620	B-189
47800	47890 / 47820	B-191
47800	47896 / 47820	B-193
48200	48286 / 48220	B-195
48200	48290 / 48220	B-195
48300	48385 / 48320	B-197
48300	48393 / 48320	B-197
LM48500	LM48548 / LM48510	B-167
LM48500	LM48548A / LM48510	B-167
48600	48684 / 48620	B-197
48600	48685 / 48620	B-197
49500	49585 / 49520	B-179
52000	52375 / 52618	B-193
52000	52387 / 52618	B-193
52000	52393 / 52618	B-193
52000	52400 / 52618	B-193
53000	53162 / 53375	B-173
53000	53177 / 53375	B-173
55000C	55175C / 55437	B-175
55000C	55176C / 55437	B-175
55000C	55187C / 55437	B-177
55000C	55200C / 55443	B-179
56000	56425 / 56650	B-193
59000	59200 / 59412	B-179
64000	64433 / 64700	B-195
64000	64450 / 64700	B-195
65000	65237 / 65500	B-183
65000	65390 / 65320	B-177
66000	66200 / 66462	B-179
66000	66225 / 66462	B-181
66000	66584 / 66520	B-179
66000	66589 / 66520	B-181
LM67000	LM67048 / LM67010	B-165
67300	67388 / 67322	B-195
67300	67389 / 67322	B-195

Series number	Cone / cup number	Page of bearing dimension table
67300	67390 / 67322	B-197
67300	67391 / 67322	B-197
67700	67790 / 67720	B-197
68000	68450 / 68712	B-195
68000	68462 / 68712	B-195
L68100	L68149 / L68111	B-169
L69300	JL69349 / JL69310	B-169
71000	71453 / 71750	B-195
72000	72188 / 72487	B-177
72000C	72200C / 72487	B-179
72000C	72212C / 72487	B-179
72000C	72218C / 72487	B-181
72000C	72225C / 72487	B-181
LM72800	LM72849 / LM72810	B-163
74000	74500 / 74850	B-195
74000	74525 / 74850	B-197
74000	74550 / 74850	B-197
78000	78225 / 78551	B-181
78000	78250 / 78551	B-183
78000C	78214C / 78551	B-179
LM78300	LM78349 / LM78310C	B-169
LM78300	LM78349A / LM78310A	B-169
M84500	M84548 / M84510	B-163
M86600	M86643 / M86610	B-163
M86600	M86647 / M86610	B-165
M86600	M86649 / M86610	B-165
M88000	M88048 / M88010	B-167
HM88500	JHM88540 / JHM88513	B-165
HM88500	HM88542 / HM88510	B-167
HM88500	HM88542 / HM88512	B-167
HM88500	HM88547 / HM88510	B-167
HM88600	HM88648 / HM88610	B-169
HM88600	HM88648 / HM88611AS	B-169
HM88600	HM88649 / HM88610	B-167
HM89400	HM89440 / HM89410	B-167
HM89400	HM89443 / HM89410	B-167
HM89400	HM89444 / HM89410	B-167
HM89400	HM89446 / HM89410	B-169
HM89400	HM89448 / HM89410	B-169
HM89400	HM89449 / HM89410	B-169
HM89400	HM89449 / HM89411	B-169
90000	J90354 / J90748	B-191
90000	90381 / 90744	B-193
95000	95475 / 95925	B-195
95000	95500 / 95905	B-195
95000	95525 / 95925	B-197
97000	97500 / 97900	B-195
99000	99550 / 99100	B-197
99000	99575 / 99100	B-197
LM102900	LM102949 / LM102910	B-175
LM104900	JLM104948 / JLM104910	B-177
LM104900	LM104947A / LM104911	B-177
LM104900	LM104949 / LM104911	B-177
M205100	JM205149 / JM205110	B-177

Inch series Tapered Roller Bearings (single row) index

Series number	Cone / cup number	Page of bearing dimension table
M207000	JM207049 / JM207010	B-181
H211700	JH211749 / JH211710	B-185
HM212000	HM212044 / HM212011	B-183
HM212000	HM212046 / HM212011	B-183
HM212000	HM212049 / HM21210	B-185
L217800	L217849 / L217810	B-191
LL217800	LL217849 / LL217810	B-191
HM218200	HM218248 / HM218210	B-191
HH221400	HH221430 / HH221410	B-189
HH221400	HH221431 / HH221410	B-189
HH221400	HH221440 / HH221410	B-193
HH221400	HH221449 / HH221410	B-193
HH221400	HH221449A / HH221410	B-193
HH224300	HH224334 / HH224310	B-193
HH224300	HH224335 / HH224310	B-193
HH224300	HH224346 / HH224310	B-195
HH228300	HH228349 / HH228310	B-195
M231600	M231648 / M231610	B-197
LM300800	LM300849 / LM300811	B-171
H307700	JH307749 / JH307710	B-181
HM318400	JHM318448 / JHM318410	B-191
L319200	L319249 / L319210	B-193
L327200	L327249 / L327210	B-195
H414200	H414242 / H414210	B-185
H414200	H414245 / H414210	B-185
H414200	H414249 / H414210	B-187
H415600	JH415647 / JH415610	B-187
L432300	L432349 / L432310	B-197
LM501300	LM501349 / LM501310	B-171
LM501300	LM501349 / LM501314	B-171
LM503300	LM503349A / LM503310	B-175
HH506300	HH506348 / HH506310	B-177
HH506300	HH506349 / HH506310	B-177
LM506800	JLM506849 / JLM506810	B-179
LM508700	JLM508748 / JLM508710	B-181
M511900	JM511946 / JM511910	B-183
M515600	JM515649 / JM515610	B-189
HM516400	HM516442 / HM516410	B-187
HM516400	HM516448 / HM516410	B-189
HM516800	JHM516849 / JHM516810	B-191
LM522500	LM522546 / LM522510	B-193
LM522500	LM522548 / LM522510	B-195
HM522600	JHM522649 / JHM522610	B-195
HM534100	JHM534149 / JHM534110	B-197
LM603000	LM603049 / LM603011	B-175
L610500	L610549 / L610510	B-183
M612900	JM612949 / JM612910	B-185
HM617000	HM617049 / HM617010	B-191
L630300	L630349 / L630310	B-197
LL639200	LL639249 / LL639210	B-197
LM704600	JLM704649 / JLM704610	B-177
LM710900	JLM710949 / JLM710910	B-183
LM714100	JLM714149 / JLM714110	B-187
M714200	JM714249 / JM714210	B-187

Series number	Cone / cup number	Page of bearing dimension table
H715300	H715334 / H715311	B-183
H715300	H715343 / H715311	B-185
H715300	H715345 / H715311	B-187
H715300	H715348 / H715311	B-189
M716600	JM716648 / JM716610	B-191
M718100	JM718149 / JM718110	B-191
M719100	JM719149 / JM719113	B-191
M720200	JM720249 / JM720210	B-193
L724300	JL724348 / JL724314	B-195
M736100	JM736149 / JM736110	B-197
M738200	JM738249 / JM738210	B-197
HM801300	HM801346 / HM801310	B-171
HM801300	HM801349 / HM801310	B-171
M802000	M802048 / M802011	B-173
HM803100	HM803145 / HM803110	B-173
HM803100	HM803149 / HM803110	B-173
M804000	M804048 / M804010	B-175
M804800	M804846 / M804810	B-175
M804800	M804848 / M804810	B-177
M804800	M804849 / M804810	B-177
HM804800	HM804840 / HM804810	B-173
HM804800	HM804842 / HM804810	B-173
LM806600	LM806649 / LM806610	B-179
HM807000	HM807040 / HM807010	B-175
HM807000	HM807044 / HM807010	B-177
HM807000	HM807046 / HM807010	B-177
HM807000	HM807048 / HM807010	B-179
HM807000	HM807049 / HM807010	B-179
HM807000	JHM807045 / JHM807012	B-177
L812100	L812148 / L812111	B-185
LM813000	JLM813049 / JLM813010	B-185
HM813800	HM813840 / HM813810	B-181
HM813800	HM813841 / HM813810	B-183
HM813800	HM813842 / HM813810	B-183
HM813800	HM813844 / HM813810	B-185
L814700	L814749 / L814710	B-187
LM814800	LM814849 / LM814810	B-189
M822000	JM822049 / JM822010	B-195
HM903200	HM903245 / HM903210	B-173
HM903200	HM903249 / HM903210	B-173
M903300	M903345 / M903310	B-173
HM907600	HM907643 / HM907614	B-179
HM911200	HM911242 / HM911210	B-179
HM911200	HM911245 / HM911210	B-183
HM911200	HM911244 / JHM911211	B-183
H913800	H913840 / H913810	B-181
H913800	H913842 / H913810	B-183
H913800	JH913848 / JH913811	B-187
H917800	H917840 / H917810	B-189
H924000	H924045 / H924010	B-195
HM926700	HM926740 / HM926710	B-195
HM926700	HM926747 / HM926710	B-195



Inch series Tapered Roller Bearings (four row) index

Series number	Cone / cup number	Page of bearing dimension table
8500	T-8576D / 8520 / 8520D	B-219
46700	46791D / 46720 / 46721D	B-217
48200	T-48290D / 48220 / 48220D	B-217
48300	T-48393D / 48320 / 48320D	B-217
48600	T-48680D / 48620 / 48620D	B-217
67700	67791D / 67720 / 67721D	B-217
67800	T-67885D / 67820 / 67820D	B-219
81000	81576D / 81962 / 81963D	B-217
82600	82681D / 82620 / 82620D	B-217
126000	EE126096D / 126150 / 126151D	B-219
127000	EE127097D / 127137 / 127137D	B-219
132000	EE132082D / 132125 / 132126D	B-219
134000	EE134102D / 134143 / 134144D	B-221
L163100	L163149D / L163110 / L163110D	B-223
170000	EE171000D / 171450 / 17145D	B-219
220000	EE221027D / 221575 / 221576D	B-221
M224700	M224749D / M224710 / M224710D	B-217
M231600	T-M231649D / M231610 / M231610D	B-217
M238800	M238849D / M238810 / M238810D	B-217
M241500	M241538D / M241510 / M241510D	B-219
M244200	T-M244249D / M244210 / M244210D	B-219
LM247700	LM247748D / LM247710 / LM247710DA	B-219
M249700	T-M249748D / M249710 / M249710D	B-219
HM252300	HM252349D / HM252310 / HM252310D	B-221
M252300	T-M252349D / M252310 / M252310D	B-221
M255400	M255449D / M255410 / M255410DA	B-221
HM256800	T-HM256849D / HM256810 / HM256810DG2	B-221
M257100	M257149D / M257110 / M257110D	B-221
M257200	M257248D / M257210 / M257210D	B-223
LM258600	LM258649D / LM258610 / LM258610D	B-223
HM259000	T-HM259049D / HM259010 / HM259010D	B-223
HM261000	HM261049D / HM261010 / HM261010DA	B-223
M262400	M262449D / M262410 / M262410D	B-223
HM262700	T-HM262749D / HM262710 / HM262710DG2	B-223
LM263100	LM263149D / LM263110 / LM263110D	B-223

Series number	Cone / cup number	Page of bearing dimension table
M263300	M263349D / M263310 / M263310D	B-223
HM265000	HM265049D / HM265010 / HM265010D	B-225
HM266400	T-HM266449D / HM266410 / HM266410DG2	B-225
M268700	T-M268749D / M268710 / M268710DG2	B-225
M270700	M270749D / M270710 / M270710DAG2	B-225
LM272200	LM272249D / LM272210 / LM272210DG2	B-227
M274100	M274149D / M274110 / M274110DG2	B-227
LM274400	LM274449D / LM274410 / LM274410D	B-227
275000	EE275106D / 275155 / 275156D	B-221
275000	EE275109D / 275160 / 275161D	B-221
M275300	M275349D / M275310 / M275310DG2	B-227
M276400	M276449D / M276410 / M276410DG2	B-227
M278700	M278749D / M278710 / M278710DAG2	B-227
LM278800	LM278849D / LM278710 / LM278710D	B-229
280000	EE280700D / 281200 / 281201D	B-217
M280000	M280049D / M280010 / M280010DG2	B-229
L281100	L281149D / L281110 / L281110DG2	B-229
M281600	M281649D / M281610 / M281610DG2	B-229
LM281800	LM281849D / LM281810 / LM281810DG2	B-229
M282200	M282249D / M282210 / M282210DG2	B-229
M283400	M283449D / M283410 / M283410DG2	B-229
LM283600	LM283649D / LM283610 / LM283610DG2	B-229
M284200	M284249D / M284210 / M284210DG2	B-229
M285800	M285848D / M285810 / M285810DG2	B-229
LM286200	LM286249D / LM286210 / LM286210DG2	B-231
LM287600	LM287649D / LM2876100 / LM287610DG2	B-231
LM288900	LM288949D / LM288910 / LM288910DG2	B-231
290000	EE291202D / 291750 / 291751D	B-221
329000	EE329119D / 329172 / 329173D	B-221
LM377400	LM377449D / LM377410 / LM377410DG2	B-227
LM451300	T-LM451349D / LM451310 / LM451310D	B-221
526000	EE526131D / 526190 / 52619D	B-223
547000	EE547341D / 547480 / 547481DG2	B-231
640000	T-EE640193D / 640260 / 640261DG2	B-227
649000	EE649241D / 649310 / 649311DG2	B-229

Inch series Tapered Roller Bearings (four row) index

Series number	Cone / cup number	Page of bearing dimension table
LM654600	T-LM654644D / LM654610 / LM654610D	B-221
LM654600	T-LM654648D / LM654610 / LM654610D	B-221
655000	EE655271D / 655345 / 655346DG2	B-229
LM665900	LM665949D / LM665910 / LM665910D	B-225
M667900	M667947D / M667911 / M667911DG2	B-225
700000	EE700090D / 700167 / 700168D	B-219
LM742700	T-LM742749D / LM742714 / LM742714D	B-219
755000	EE755281D / 755360 / 755361DG2	B-229
M757400	M757448D / M757410 / M757410D	B-221
M757400	M757449D / M757410 / M757410D	B-223
LM761600	LM761648D / LM761610 / LM761610D	B-223
LM761600	LM761649D / LM761610 / LM761610D	B-223
LM763400	LM763449D / LM763410 / LM763410D	B-223
LM765100	LM765149D / LM765110 / LM765110D	B-225
LM767700	LM767745D / LM767710 / LM767710D	B-225
LM767700	LM767749D / LM767710 / LM767710D	B-225
LM769300	LM769349D / LM769310 / LM769310D	B-225
L770800	L770849D / L770810 / L770810DG2	B-227
LM772700	LM772749D / LM772710 / LM772710DA	B-227
LM778500	LM778549D / LM778510 / LM778510DG2	B-229
822000	EE822101D / 822175 / 822176D	B-219
833000	EE833161D / 833232 / 833233D	B-225
843000	EE843221D / 843290 / 843291D	B-227
LM869400	T-LM869449D / LM869410 / LM869410DG2	B-225
910000	EE911603D / 912400 / 912401D	B-225
920000	EE921150D / 921875 / 921876D	B-221
970000	EE971355D / 972100 / 972103D	B-223

