

**TIMKEN**  
Where You Turn



Self-centering Hydraulic Pullers  
with Integrated Pump and Cylinder

# Self-centering Hydraulic Pullers with Integrated Pump and Cylinder



The new Timken Self-centering Hydraulic Pullers are practical and convert easily to either a 2- or 3-arm puller. The arms slide inwards or outwards simultaneously.

## Features:

- Integrated pump, cylinder, hose and puller with safety-release valve.
- Compact design: The self-contained hydraulic pump and puller saves space.
- Sets are supplied in handy carrying case.
- Multi-purpose: Ideal for pulling a wide variety of press-fit parts including bearings, wheels, bushings, gears and pulleys.
- The pump handle is able to rotate 360-degrees providing flexibility to use the puller in the most convenient position.
- Pullers can be used with two or three legs.
- Available with accessories.

## BENEFITS

### Practical:

- **Ergonomic design** - easy to handle
- **Flexible** - use in any position with a pump handle that rotates 360 degrees
- **Protective** - prevents damage to shafts and objects being pulled
- **Efficient** - saves time
- **Accessories** - available for models from 4 to 12 tons

### Safe:

The safety-release valve prevents overloading and ensures that you never exceed maximum force.

### Easy-to-use:

The VHP 20 and 30 ton models are equipped with an innovative 2-stage pump for easier and safer pumping.

### Rugged:

The greater the pulling force, the tighter the jaws grip the object concerned. The arms cannot be bent or deflected.

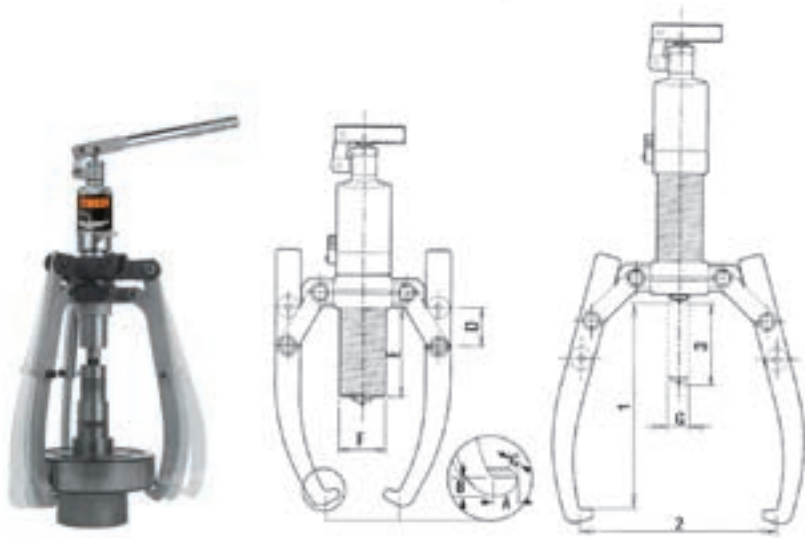
### Economical:

The combination 2- or 3- arm puller gives you 2 pullers for the price of one.



With more than 100 years of experience in bearing technology, Timken understands the importance of proper maintenance procedures in maximizing product and equipment life. High-quality Timken maintenance products help to decrease down-time and lower operating costs.

MODEL	Max. Withdrawal Force	Arm length	Width of Grip	STROKE	A	B	C	D	E	F	G	MASS
VHPS4	4 t	190 mm (7,48")	325 mm (12,8")	60 mm (2,4")	13 mm (0,5")	10 mm (0,4")	22 mm (0,9")	-	40 mm (1,6")	42 mm (1,7")	22 mm (0,9")	8 kg (18lbs.)
VHPS6A	6 t	230 mm (9,1")	380 mm (15")	70 mm (3,4")	13 mm (0,5")	10 mm (0,4")	22 mm (0,9")	-	50 mm (2")	45 mm (1,8")	23 mm (0,9")	10 kg (22lbs.)
VHPS8	8 t	280 mm (11")	450 mm (17,7")	85 mm (3,4")	13 mm (0,5")	13 mm (0,5")	27,5 mm (1,1")	-	70 mm (2,7")	50 mm (2")	25 mm (1")	12 kg (26lbs.)
VHPS12	12 t	305 mm (12")	485 mm (19,1")	85 mm (3,4")	15 mm (0,6")	17 mm (0,7")	29 mm (1,1")	-	70 mm (2,7")	60 mm (2,4")	28 mm (1,1")	15 kg (33lbs.)
VHPS20	20 t	365 mm (14,4")	570 mm (22,4")	111 mm (4,4")	20 mm (0,8")	27 mm (1,1")	33 mm (1,3")	-	62 mm (2,4")	80 mm (3,2")	40 mm (1,6")	25 kg (55lbs.)
VHPS30	30 t	465 mm (18,3")	680 mm (26,8")	111 mm (4,4")	20 mm (0,8")	27 mm (1,1")	38 mm (1,5")	-	85 mm (3,3")	98 mm (3,9")	50 mm (2")	36 kg (80lbs.)



1 = Max. Aslengte / Reach / Abziehtiefe / Portée max. / Alcance máx.  
 2 = Max. Spreiding / Spread / Spreizweite / Ecartement / Dispersión  
 3 = Slag / Stroke / Hub / Course vérin / Carrera

### PULLER WARNING

- Check condition of puller before use.
- If there are indications of wear and tear such as ground-down, overloaded or worn-out parts, exchange them with new parts.
- Do not use a hammer when operating spindle.
- If any indications of overload, stiff working, etc., can be observed during pulling, please stop the procedure at once. Try to use a larger or different type of puller if necessary.
- For proper puller engagement, the jaws/legs should be centered.
- When pulling, make sure puller and pulled part are kept covered by the safety blanket provided.
- When operating the puller please wear protective clothing, including safety shoes, protective glasses, gloves and helmet.
- Spindle and puller body should always be kept clean.

Proper maintenance and handling practices are critical. Failure to follow user manual can result in equipment failure, creating a risk of serious bodily harm. Since our products are subject to continuous improvement, we reserve the right to make changes.

### ACCESSORIES SET

#### MODELS:

VHPT490, VHPT690A,  
 VHPT890, VHPT1290

Puller shown  
 with accessories.  
 (set supplied  
 without pump)

For puller  
 VHPS6A  
 please use  
 VHPT690A  
 accessory set only



# TIMKEN

Where You Turn

Bearings • Specialty Steel •  
Precision Components • Lubrication •  
Seals • Remanufacture and Repair •  
Engineering Services

[www.timken.com](http://www.timken.com)

Timken® is a registered trademark of  
The Timken Company

© 2006 The Timken Company  
Printed in Europe.  
Order No. E0359-GB